

PROFILÉS et SYSTÈMES Schlüter®

Tarif illustré PS 22

France · Applicable au 1^{er} janvier 2022



2022



Le trio parfait pour 2022 ...

Tarif BEKOTEC-THERM



Tarif LIPROTEC

... la compétence à tous égards

Technique et design avec les profils Schlüter

Profilés pour revêtements de sols 14–25

Profilés pour revêtements muraux, angles et finitions, Accessoires de salles de bains 26–79

Profilés pour escaliers 80–89

Profilés périphériques, profilés de fractionnement et couvre-joints de dilatation 90–121

Profilés pour revêtements souples de murs et de sols 122–129

Étanchéité / Découplage / Surface tempérée électrique / Drainage / Évacuation de l'eau / Tablettes / Isolation contre les bruits de choc / Pose temporaire de revêtements Panneaux d'agencement

Étanchéité, découplage, drainage composite, surface tempérée électrique, isolation acoustique 130–143

Non-tissé pour pose temporaire de revêtements 144–145

Étanchéité des murs et des sols, évacuation de l'eau, tablettes 146–221

Panneaux d'agencement, kits de niches, profilés et accessoires 222–237

Balcons et Terrasses

Profilés et gouttières pour balcons et terrasses, drainage et plots terrasses 238–279

Chapes flottantes

Dalles à plots 280–287

Aides à la pose et à l'entretien

Accessoires et outils 288–291

Annexe

Profilés prédécoupés pour cintrage 292

Codes couleurs 293–295

Légendes 298



A

Schlüter®-ARCLINE-APE	63
Schlüter®-ARCLINE-APW	62
Schlüter®-ARCLINE-BAK	64
Schlüter®-ARCLINE-DEL	63

B

Schlüter®-BARA-ESOT	276
Schlüter®-BARA-FAP	274
Schlüter®-BARA-HV	273
Schlüter®-BARA-RAK	262
Schlüter®-BARA-RAKE	263
Schlüter®-BARA-RAKEG	264
Schlüter®-BARA-RAP	274
Schlüter®-BARA-RHA	271
Schlüter®-BARA-RK	270
Schlüter®-BARA-RKB	268
Schlüter®-BARA-RKK	265
Schlüter®-BARA-RKKE	267
Schlüter®-BARA-RKL	272
Schlüter®-BARA-RKLT	275
Schlüter®-BARA-RT	269
Schlüter®-BARA-RTK	259
Schlüter®-BARA-RTKE	260
Schlüter®-BARA-RTKEG	261
Schlüter®-BARA-RTP	276
Schlüter®-BARA-RW	266
Schlüter®-BARA-RWL	271
Schlüter®-BARA-STU	277
Schlüter®-BARIN-R	279
Schlüter®-BARIN-SR	278
Schlüter®-BEKOTEC-BRS	286
Schlüter®-BEKOTEC-BTS	287
Schlüter®-BEKOTEC-DRAIN	286
Schlüter®-BEKOTEC-EN	282
Schlüter®-BEKOTEC-EN F	283
Schlüter®-BEKOTEC-EN FK	285
Schlüter®-BEKOTEC-EN FTS	284

C

★ Schlüter®-CLEAN-CP	290
----------------------------	-----

D

Schlüter®-DECO	66
Schlüter®-DECO-DE	67
Schlüter®-DECO-SG	72, 188
Schlüter®-DESIGNBASE-CQ	75
Schlüter®-DESIGNBASE-SL-A	72
Schlüter®-DESIGNBASE-SL-E	74

Schlüter®-DESIGNLINE	71
Schlüter®-DILEX-AHK	116
Schlüter®-DILEX-AHKA	117
Schlüter®-DILEX-AHK-TS	115
Schlüter®-DILEX-AKWS	94
Schlüter®-DILEX-AS	104
Schlüter®-DILEX-BT	97
Schlüter®-DILEX-BT/MT	99
Schlüter®-DILEX-BTO	98
Schlüter®-DILEX-BT/OT	99
Schlüter®-DILEX-BTS	98
Schlüter®-DILEX-BT/VTS	99
Schlüter®-DILEX-BWA	104
Schlüter®-DILEX-BWB	96
Schlüter®-DILEX-BWS	96
Schlüter®-DILEX-DFP	121
Schlüter®-DILEX-EDP	92
Schlüter®-DILEX-EF	105
Schlüter®-DILEX-EHK	114
Schlüter®-DILEX-EK	107
Schlüter®-DILEX-EKE	105
Schlüter®-DILEX-EKSB	94
Schlüter®-DILEX-EMP	118
Schlüter®-DILEX-EP	120
Schlüter®-DILEX-EZ 6 + 9	97
Schlüter®-DILEX-EZ 70	120
Schlüter®-DILEX-HK	108
Schlüter®-DILEX-HKS	111
Schlüter®-DILEX-HKU	112
Schlüter®-DILEX-HKW	109
Schlüter®-DILEX-HVD	121
Schlüter®-DILEX-KS	93
Schlüter®-DILEX-KSA	103
Schlüter®-DILEX-KSBT	100
Schlüter®-DILEX-MOP	119
Schlüter®-DILEX-MP	119
Schlüter®-DILEX-RF	106
Schlüter®-DITRA 25	132, 245
Schlüter®-DITRA-DRAIN 4	133, 245
Schlüter®-DITRA-DRAIN 8	134, 246
Schlüter®-DITRA-HEAT	135
Schlüter®-DITRA-HEAT-DUO	135
Schlüter®-DITRA-HEAT-E-CT	142
Schlüter®-DITRA-HEAT-E-DUO-S	138
Schlüter®-DITRA-HEAT-E-DUO-WS	139
Schlüter®-DITRA-HEAT-E-HK	141
Schlüter®-DITRA-HEAT-E-KARO	141

Schlüter®-DITRA-HEAT-E-R	140
Schlüter®-DITRA-HEAT-E-R3	140
Schlüter®-DITRA-HEAT-E-R4	140
Schlüter®-DITRA-HEAT-E-R-WIFI	140
Schlüter®-DITRA-HEAT-E-S1/S2/S3	136
Schlüter®-DITRA-HEAT-E-WS	137
Schlüter®-DITRA-HEAT-E-ZS	142
Schlüter®-DITRA-SOUND	143

E

Schlüter®-ECK-E	68
Schlüter®-ECK-K	69
Schlüter®-ECK-KHK	70, 110
Schlüter®-ECK-KI	68

F

Schlüter®-FINEC-A	60
Schlüter®-FINEC-E	57
Schlüter®-FINEC-TS	58

I

Schlüter®-INDEC	67
-----------------------	----

J

★ Schlüter®-JOLLY	49
★ Schlüter®-JOLLY-AC	51
Schlüter®-JOLLY-P	51
★ Schlüter®-JOLLY-TS	50

K

Schlüter®-KERDI	148, 244
Schlüter®-KERDI-BOARD	225
Schlüter®-KERDI-BOARD-E	232
Schlüter®-KERDI-BOARD-N	226
Schlüter®-KERDI-BOARD-NLT	228
Schlüter®-KERDI-BOARD-NLT-BR	230
Schlüter®-KERDI-BOARD-U	232
Schlüter®-KERDI-BOARD-V	232
Schlüter®-KERDI-BOARD-ZA	235
Schlüter®-KERDI-BOARD-ZB	235
Schlüter®-KERDI-BOARD-ZC	234
Schlüter®-KERDI-BOARD-ZDK	237
Schlüter®-KERDI-BOARD-ZFP	237
Schlüter®-KERDI-BOARD-ZS	236
Schlüter®-KERDI-BOARD-ZSA	237
Schlüter®-KERDI-BOARD-ZSD	236
Schlüter®-KERDI-BOARD-ZT	236
Schlüter®-KERDI-BOARD-ZW	234
Schlüter®-KERDI-COLL-L	154, 233
Schlüter®-KERDI-CP	153
Schlüter®-KERDI-DRAIN	206

Schlüter®-KERDI-DRAIN Kits d'évacuation de sol.....	193		
Schlüter®-KERDI-DRAIN Kits grille/cadre	192		
Schlüter®-KERDI-DRAIN-BASE.....	204		
Schlüter®-KERDI-DRAIN-BS	205		
Schlüter®-KERDI-DRAIN-KD 10.....	204		
Schlüter®-KERDI-DRAIN-KD 10 SF	205		
Schlüter®-KERDI-DRAIN-R 10 GT.....	204		
Schlüter®-KERDI-DRAIN-R / -RL.....	206		
Schlüter®-KERDI-DRAIN Kits.....	207		
Schlüter®-KERDI-DRAIN-SP-E.....	257		
Schlüter®-KERDI-DRAIN-ZBS.....	180, 205		
Schlüter®-KERDI-FIX.....	89, 154		
Schlüter®-KERDI-FLEX.....	149		
Schlüter®-KERDI-KEBA	149, 233		
Schlüter®-KERDI-KERECK.....	150		
Schlüter®-KERDI-KERECK-F	150		
Schlüter®-KERDI-KERS	150		
Schlüter®-KERDI-KM	152		
★ Schlüter®-KERDI-LINE-A/-B/-C	165		
Schlüter®-KERDI-LINE-A Kits	169		
Schlüter®-KERDI-LINE-BS.....	180		
Schlüter®-KERDI-LINE-D.....	168		
Schlüter®-KERDI-LINE-D-G3.....	173		
Schlüter®-KERDI-LINE-F	174		
★ Schlüter®-KERDI-LINE-FC.....	168		
Schlüter®-KERDI-LINE-G3.....	172		
Schlüter®-KERDI-LINE-GTM	181, 205		
Schlüter®-KERDI-LINE-GTO	180		
Schlüter®-KERDI-LINE-H.....	175		
Schlüter®-KERDI-LINE-H 50 G2.....	176		
Schlüter®-KERDI-LINE-SR.....	181		
Schlüter®-KERDI-LINE-STYLE	164		
Schlüter®-KERDI-LINE-V	177		
Schlüter®-KERDI-LINE-V 50 G2.....	179		
★ Schlüter®-KERDI-LINE-VARIO COVE	161		
★ Schlüter®-KERDI-LINE-VARIO-H	162		
★ Schlüter®-KERDI-LINE-VARIO WAVE	160		
Schlüter®-KERDI-MV.....	151		
Schlüter®-KERDI-PAS.....	151		
Schlüter®-KERDI-SHOWER-LT.....	182		
Schlüter®-KERDI-SHOWER-LTS	183		
Schlüter®-KERDI-SHOWER-SK/-SKB ...	208		
Schlüter®-KERDI-SHOWER-T.....	209		
Schlüter®-KERDI-SHOWER-TS	209		
Schlüter®-KERDI-SHOWER-TT	210		
Schlüter®-KERDI-TS.....	152		
Schlüter®-KERDI-TS-ZC.....	153		
P			
Schlüter®-PROCUT-PSF.....	291		
Schlüter®-PROCUT-TSM	291		
Q			
Schlüter®-QUADEC-A	34		
★ Schlüter®-QUADEC-AC.....	37		
Schlüter®-QUADEC-E	30		
Schlüter®-QUADEC-FS	71		
Schlüter®-QUADEC-MC.....	29		
Schlüter®-QUADEC-PQ.....	38		
Schlüter®-QUADEC-TS.....	32		
R			
★ Schlüter®-REFLEECE.....	145		
Schlüter®-REMA	290		
Schlüter®-RENO-RAMP	24		
Schlüter®-RENO-RAMP-K	24		
Schlüter®-RENO-T	25		
Schlüter®-RENO-TK.....	20		
Schlüter®-RENO-U	23		
Schlüter®-RENO-V.....	21		
Schlüter®-RENO-VB	22		
Schlüter®-RENO-VT.....	22, 99		
Schlüter®-RONDEC-A	44		
Schlüter®-RONDEC-AC.....	46		
Schlüter®-RONDEC-DB	47		
Schlüter®-RONDEC-E	40		
Schlüter®-RONDEC-MC.....	39		
Schlüter®-RONDEC-PRG	48		
Schlüter®-RONDEC-PRO.....	47		
Schlüter®-RONDEC-STEP	76		
Schlüter®-RONDEC-STEP-CT	77		
Schlüter®-RONDEC-TS.....	42		
Schlüter®-RUMA.....	290		
S			
Schlüter®-SCHIENE.....	16, 52		
Schlüter®-SCHIENE-A.....	54		
Schlüter®-SCHIENE-AC	55		
Schlüter®-SCHIENE-BASIC	17		
Schlüter®-SCHIENE-ES.....	19		
Schlüter®-SCHIENE-STEP	79		
Schlüter®-SCHIENE-STEP-EB.....	78		
Schlüter®-SCHIENE-TS	53		
Schlüter®-SCHIENE-V	19		
★ Schlüter®-SHELF-E-S1.....	212		
★ Schlüter®-SHELF-E-S2.....	214		
★ Schlüter®-SHELF-E-S3.....	216		
★ Schlüter®-SHELF-N	218		
★ Schlüter®-SHELF-W	220		
Schlüter®-SHOWERPROFILE-R	185		
Schlüter®-SHOWERPROFILE-S	184		
Schlüter®-SHOWERPROFILE-WS	186		
Schlüter®-SHOWERPROFILE-WSK	187		
T			
Schlüter®-TERRAZZO.....	25		
Schlüter®-TREP-E	82		
Schlüter®-TREP-EFK	87		
Schlüter®-TREP-EK	87		
Schlüter®-TREP-FL.....	85		
Schlüter®-TREP-G/-GL.....	83		
Schlüter®-TREP-GK/-GLK.....	88		
Schlüter®-TREP-S/-B.....	84		
Schlüter®-TROBA.....	249		
Schlüter®-TROBA-LEVEL-AP 1	252		
Schlüter®-TROBA-LEVEL-LV 3.....	253		
Schlüter®-TROBA-LEVEL-PL 10	251		
Schlüter®-TROBA-LEVEL-PLA 30.....	252		
Schlüter®-TROBA-LEVEL-PLA 70.....	253		
Schlüter®-TROBA-LEVEL-PLS 6	253		
Schlüter®-TROBA-LEVEL-PLV 60	252		
Schlüter®-TROBA-LINE-TL	254		
Schlüter®-TROBA-LINE-TL/H	257		
Schlüter®-TROBA-LINE-TLK-E	257		
Schlüter®-TROBA-LINE-TLR.....	255		
Schlüter®-TROBA-LINE-TLR-E	256		
Schlüter®-TROBA-PLUS.....	247		
Schlüter®-TROBA-PLUS-G	248		
Schlüter®-TROBA-STELZ-DR	250		
Schlüter®-TROBA-STELZ-MR.....	250		
Schlüter®-TROBA-ZFK.....	249		
Schlüter®-TROWEL.....	291		
V			
★ Schlüter®-VINPRO-RO	127		
★ Schlüter®-VINPRO-S	126		
★ Schlüter®-VINPRO-STEP	128		
★ Schlüter®-VINPRO-STEP-R.....	129		
★ Schlüter®-VINPRO-T	124		
★ Schlüter®-VINPRO-U	125		
W			
Schlüter®-WINKEL.....	22		



PROFILÉS POUR REVÊTEMENTS DE SOLS



Schlüter®-**SCHIENE**
Page 16



Schlüter®-**SCHIENE-BASIC**
Page 17



Schlüter®-**SCHIENE-ES**
Page 19



Schlüter®-**SCHIENE-V**
Page 19



Schlüter®-**RENO-TK**
Page 20



Schlüter®-**RENO-V**
Page 21



Schlüter®-**RENO-U**
Page 23



Schlüter®-**RENO-RAMP**
Page 24



Schlüter®-**RENO-RAMP-K**
Page 24



Schlüter®-**RENO-T**
Page 25



Schlüter®-**TERRAZZO**
Page 25

PROFILÉS POUR REVÊTEMENTS MURAUX, ANGLES ET FINITIONS, ACCESSOIRES DE SALLES DE BAINS



Schlüter®-**QUADEC**
Page 28–38



Schlüter®-**RONDEC**
Page 39–48



Schlüter®-**JOLLY**
Page 49–51



✪ Schlüter®-**SCHIENE**
Page 52–55



Schlüter®-**FINEC**
Page 56–60



Schlüter®-**ARCLINE**
Page 62–65



Schlüter®-**DECO**
Page 66–67



Schlüter®-**INDEC**
Page 67



Schlüter®-**ECK**
Page 68–69



Schlüter®-**ECK-KHK**
Page 70, 110



Schlüter®-**DESIGNLINE**
Page 71



Schlüter®-**QUADEC-FS**
Page 71



Schlüter®-**DECO-SG**
Page 72, 188



Schlüter®-**DESIGNBASE**
Page 72–75



Schlüter®-**RONDEC-STEP**
Page 76–77



Schlüter®-**SCHIENE-STEP**
Page 78–79

PROFILÉS POUR ESCALIERS



Schlüter®-TREP-E
Page 82



Schlüter®-TREP-G/-GL
Page 83



Schlüter®-TREP-S/-B
Page 84



Schlüter®-TREP-TAP
Page 84



Schlüter®-TREP-FL
Page 85



Schlüter®-TREP-EK
Page 87



Schlüter®-TREP-EFK
Page 87



Schlüter®-TREP-GK/-GLK
Page 88

PROFILÉS PÉRIPHÉRIQUES, PROFILÉS DE FRACTIONNEMENT ET COUVRE-JOINTS DE DILATATION



Schlüter®-DILEX-EDP
Page 92



Schlüter®-DILEX-KS
Page 93



Schlüter®-DILEX-EKSB
Page 94



Schlüter®-DILEX-AKWS
Page 94



Schlüter®-DILEX-BWB
Page 96



Schlüter®-DILEX-BWS
Page 96



Schlüter®-DILEX-EZ 6 + 9
Page 97



Schlüter®-DILEX-BT
Page 97, 99



Schlüter®-DILEX-BTO
Page 98



Schlüter®-DILEX-BTS
Page 98



Schlüter®-DILEX-KSBT
Page 100



Schlüter®-DILEX-KSA
Page 103



Schlüter®-DILEX-BWA
Page 104



Schlüter®-DILEX-AS
Page 104



Schlüter®-DILEX-EF
Page 105



Schlüter®-DILEX-EKE
Page 105



Schlüter®-DILEX-RF
Page 106



Schlüter®-DILEX-EK
Page 107



Schlüter®-DILEX-HK
Page 108



Schlüter®-DILEX-HKW
Page 109



PROFILÉS PÉRIPHÉRIQUES, PROFILÉS DE FRACTIONNEMENT ET COUVRE-JOINTS DE DILATATION (SUITE)



Schlüter®-DILEX-HKS
Page 111



Schlüter®-DILEX-HKU
Page 112



Schlüter®-DILEX-EHK
Page 114



Schlüter®-DILEX-AHK-TS
Page 115



Schlüter®-DILEX-AHK
Page 116



Schlüter®-DILEX-AHKA
Page 117



Schlüter®-DILEX-EMP
Page 118



Schlüter®-DILEX-MP
Page 119



Schlüter®-DILEX-MOP
Page 119



Schlüter®-DILEX-EZ 70
Page 120



Schlüter®-DILEX-EP
Page 120



Schlüter®-DILEX-DFP
Page 121

PROFILÉS POUR REVÊTEMENTS SOUPLES DE MURS ET DE SOLS



Schlüter®-VINPRO-T
Page 124



Schlüter®-VINPRO-U
Page 125



Schlüter®-VINPRO-S
Page 126



Schlüter®-VINPRO-RO
Page 127



Schlüter®-VINPRO-STEP
Page 128



Schlüter®-VINPRO-STEP-R
Page 129



ÉTANCHÉITÉ, DÉCOUPLAGE, DRAINAGE COMPOSITE, SURFACE TEMPÉRÉE ÉLECTRIQUE, ISOLATION ACOUSTIQUE



Schlüter®-DITRA 25
Page 132, 245



Schlüter®-DITRA-DRAIN
Page 133-134, 245-246



Schlüter®-DITRA-HEAT
Page 135



Schlüter®-DITRA-HEAT-E
Page 136-142



Schlüter®-DITRA-HEAT-E Accessoires
Page 136-142



Schlüter®-DITRA-SOUND
Page 143

NON-TISSÉ POUR POSE TEMPORAIRE DE REVÊTEMENTS

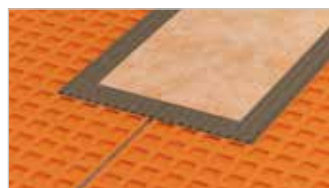


Schlüter®-REFLEECE
Page 145

ÉTANCHÉITÉ DES MURS ET DES SOLS, ÉVACUATION DE L'EAU, TABLETTES



Schlüter®-KERDI
Page 148, 244



Schlüter®-KERDI-KEBA/-FLEX
Page 149, 233



Schlüter®-KERDI-KERECK
Page 150



Schlüter®-KERDI-KERS
Page 150



Schlüter®-KERDI-MV/-PAS
Page 151



Schlüter®-KERDI-KM
Page 152



Schlüter®-KERDI-TS
Page 152-153



Schlüter®-KERDI-CP
Page 153



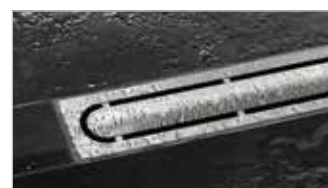
Schlüter®-KERDI-COLL-L
Page 154, 233



Schlüter®-KERDI-FIX
Page 89, 154



Schlüter®-KERDI-LINE-VARIO
Page 160-162



★ **Schlüter®-KERDI-LINE-STYLE**
Page 164



ÉTANCHÉITÉ DES MURS ET DES SOLS, ÉVACUATION DE L'EAU, TABLETTES (SUITE)



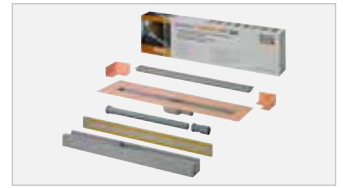
Schlüter®-KERDI-LINE-A/-B/-C
Page 165-167



★ Schlüter®-KERDI-LINE-FC
Page 168



★ Schlüter®-KERDI-LINE-D
Page 168, 173



Schlüter®-KERDI-LINE-A Kits
Page 169



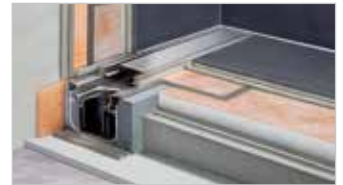
My Schlüter®-KERDI-LINE
Page 171



Schlüter®-KERDI-LINE
Page 172-179



Schlüter®-KERDI-LINE Accessoires
Page 180



Schlüter®-KERDI-LINE-SR
Page 181



Schlüter®-KERDI-SHOWER-LT/-LTS
Page 182-183



Schlüter®-SHOWERPROFILE-S
Page 184



Schlüter®-SHOWERPROFILE-R
Page 185



Schlüter®-SHOWERPROFILE-WS/-WSK
Page 186-187



Schlüter®-DECO-SG
Page 72, 188



Schlüter®-KERDI-DRAIN
Page 190-202



Schlüter®-KERDI-DRAIN Kits (extérieur)
Page 203



Schlüter®-KERDI-DRAIN Accessoires
Page 204-206



Schlüter®-KERDI-DRAIN Kits (intérieur)
Page 207



Schlüter®-KERDI-SHOWER-SK/-SKB
Page 208



Schlüter®-KERDI-SHOWER-T/-TS/-TT
Page 209-210



★ Schlüter®-SHELF-E-S1
Page 212-213



Schlüter®-SHELF-E-S2
Page 214-215



★ Schlüter®-SHELF-E-S3
Page 216-217



★ Schlüter®-SHELF-N
Page 218-219



★ Schlüter®-SHELF-W
Page 220-221

PANNEAU D'AGENCEMENT



Schlüter®-KERDI-BOARD
Page 225



Schlüter®-KERDI-BOARD-N
Page 226–227



Schlüter®-KERDI-BOARD-NLT/-NLT-BR
Page 228–231



Schlüter®-KERDI-BOARD-V
Page 232



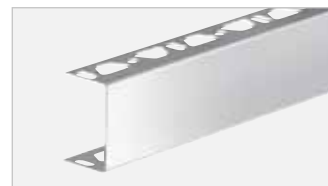
Schlüter®-KERDI-BOARD-E
Page 232



Schlüter®-KERDI-BOARD-U
Page 232



Schlüter®-KERDI-BOARD-ZW
Page 234



Schlüter®-KERDI-BOARD-ZC
Page 234



Schlüter®-KERDI-BOARD-ZA
Page 235



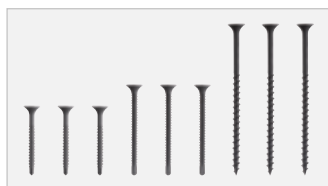
Schlüter®-KERDI-BOARD-ZB
Page 235



Schlüter®-KERDI-BOARD-ZSD
Page 236



Schlüter®-KERDI-BOARD-ZT
Page 236



Schlüter®-KERDI-BOARD-ZS
Page 236



Schlüter®-KERDI-BOARD-ZDK
Page 237



Schlüter®-KERDI-BOARD-ZSA
Page 237



Schlüter®-KERDI-BOARD-ZFP
Page 237

DRAINAGE DE BALCONS ET TERRASSES



Schlüter®-TROBA-PLUS
Page 247



Schlüter®-TROBA-PLUS-G
Page 248



Schlüter®-TROBA
Page 249



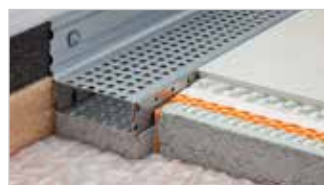
Schlüter®-TROBA-ZFK
Page 249



Schlüter®-TROBA-STELZ
Page 250



Schlüter®-TROBA-LEVEL
Page 251–253



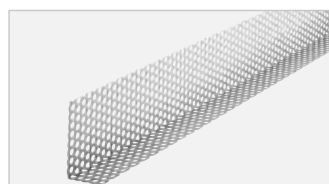
Schlüter®-TROBA-LINE-TL
Page 254



Schlüter®-TROBA-LINE-TLR
Page 255



Schlüter®-TROBA-LINE-TLR-E
Page 256



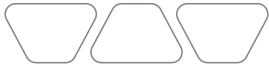
Schlüter®-TROBA-LINE-TLK-E
Page 257



Schlüter®-TROBA-LINE-TL/H
Page 257



Schlüter®-KERDI-DRAIN-SP-E
Page 257



DRAINAGE DE BALCONS ET TERRASSES (SUITE)



Schlüter®-BARA-RTK
Page 259



Schlüter®-BARA-RTKE
Page 260



Schlüter®-BARA-RTKEG
Page 261



Schlüter®-BARA-RAK
Page 262



Schlüter®-BARA-RAKE
Page 263



Schlüter®-BARA-RAKEG
Page 264



Schlüter®-BARA-RKK
Page 265



Schlüter®-BARA-RW
Page 266



Schlüter®-BARA-RKKE
Page 267



Schlüter®-BARA-RKB
Page 268



Schlüter®-BARA-RT
Page 269



Schlüter®-BARA-RK
Page 270



Schlüter®-BARA-RWL
Page 271



Schlüter®-BARA-RHA
Page 271



Schlüter®-BARA-RKL
Page 272



Schlüter®-BARA-HV
Page 273



Schlüter®-BARA-RAP
Page 274



Schlüter®-BARA-FAP
Page 274



Schlüter®-BARA-RKLT
Page 275



Schlüter®-BARA-RTP
Page 276



Schlüter®-BARA-ESOT
Page 276



Schlüter®-BARA-STU
Page 277



Schlüter®-BARIN
Page 278–279

CHAPES FLOTTANTES



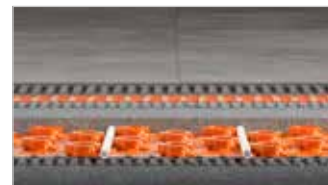
Schlüter®-BEKOTEC-EN
Page 282



Schlüter®-BEKOTEC-EN F
Page 283



Schlüter®-BEKOTEC-EN FTS
Page 284



Schlüter®-BEKOTEC-EN FK
Page 285



Schlüter®-BEKOTEC-DRAIN
Page 286



Schlüter®-BEKOTEC Accessoires
Page 286–287

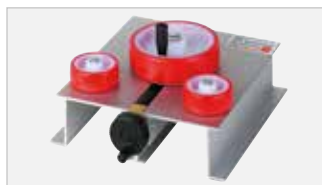
AIDES À LA POSE ET À L'ENTRETIEN



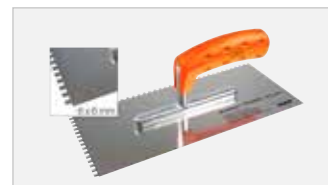
Schlüter®-REMA
Page 290



Schlüter®-CLEAN-CP
Page 290



Schlüter®-RUMA
Page 290



Schlüter®-TROWEL
Page 291



Schlüter®-PROCUT-PSF
Page 291



Schlüter®-PROCUT-TSM
Page 291



Profilsés Schlüter

Profilsés pour revêtements de sols

Les profilsés Schlüter-SCHIENE permettent de délimiter les revêtements et de protéger les chants des dégâts provoqués par l'action de forces mécaniques. Les profilsés Schlüter-RENO permettent de réaliser une transition entre différents revêtements de sol. Tous nos profilsés de finition contribuent ainsi à l'esthétique du revêtement de sol et à sa durabilité.





Profils de finition

Schlüter®-SCHIENE	16
Schlüter®-SCHIENE-BASIC	17
Schlüter®-SCHIENE-ES	19
Schlüter®-SCHIENE-V	19

Profils de transition

Schlüter®-RENO-TK	20
Schlüter®-RENO-V	21
Schlüter®-RENO-VT	22
Schlüter®-RENO-VB	22
Schlüter®-RENO-U	23
Schlüter®-RENO-RAMP	24
Schlüter®-RENO-RAMP-K	24
Schlüter®-RENO-T	25

Profils de séparation

Schlüter®-TERRAZZO	25
--------------------	----

Cornières

Schlüter®-WINKEL	22
------------------	----



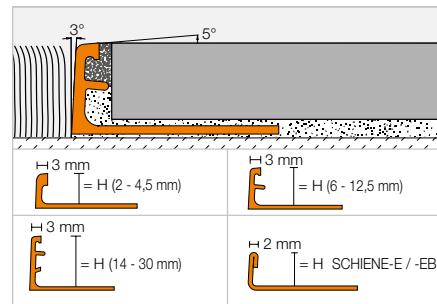
PROFILÉ DE FINITION

Schlüter®-SCHIENE



Schlüter-SCHIENE est un profilé pour la protection et la décoration des arêtes des revêtements carrelés. Ce profilé peut également être utilisé pour d'autres revêtements ou applications. Un espaceur permet de prédéfinir le joint entre carreau et profilé. Les profilés Schlüter-SCHIENE-E et -EB ne possèdent pas d'espaceur.

(Fiche produit 1.1)



Schlüter®-SCHIENE-M



Laiton

H (mm)	L = 2,50 m Art.-No.	€/m	KV (u.)
–	–	–	–
3	M 30	8,51	120
4,5	M 45	8,51	120
6	M 60	8,64	120
–	–	–	–
8	M 80	9,19	120
9	M 90	9,53	120
10	M 100	9,68	120
11	M 110	10,49	120
12,5	M 125	10,70	120
–	–	–	–
15	M 150	11,50	120
16	M 160	12,50	120
17,5	M 175	12,77	120
20	M 200	13,44	120
–	–	–	–
22,5	M 225	15,82	120
25	M 250	16,83	120
–	–	–	–
30	M 300	18,62	120
	L = 1,00 m		
4,5	M 45/100	9,05	240
6	M 60/100	9,19	240
8	M 80/100	9,75	240
10	M 100/100	10,24	240
12,5	M 125/100	11,25	240
15	M 150/100	12,05	240

Schlüter®-SCHIENE-A



Aluminium

H (mm)	L = 2,50 m Art.-No.	€/m	KV (u.)
2	A 20	3,55	120
3	A 30	3,55	120
4,5	A 45	3,55	120
6	A 60	3,55	120
7	A 70	3,63	120
8	A 80	3,69	120
9	A 90	3,76	120
10	A 100	3,83	120
11	A 110	4,10	120
12,5	A 125	4,33	120
14	A 140	4,64	120
15	A 150	4,90	120
16	A 160	5,15	120
17,5	A 175	5,45	120
20	A 200	5,61	120
21	A 210	5,92	120
22,5	A 225	6,20	120
25	A 250	6,47	120
27,5	A 275	6,77	120
30	A 300	7,11	120
	L = 1,00 m		
4,5	A 45/100	4,10	240
6	A 60/100	4,10	240
8	A 80/100	4,24	240
10	A 100/100	4,42	240
12,5	A 125/100	4,90	240
15	A 150/100	5,45	240

Schlüter®-SCHIENE-AE



Alu. naturel anodisé mat

H (mm)	L = 2,50 m Art.-No.	€/m	KV (u.)
2	AE 20	4,90	120
3	AE 30	4,90	120
4,5	AE 45	4,96	120
6	AE 60	5,15	120
7	AE 70	5,30	120
8	AE 80	5,38	120
9	AE 90	5,61	120
10	AE 100	5,73	120
11	AE 110	6,10	120
12,5	AE 125	6,34	120
14	AE 140	6,77	120
15	AE 150	6,99	120
16	AE 160	7,48	120
17,5	AE 175	7,61	120
20	AE 200	8,59	120
21	AE 210	8,99	120
22,5	AE 225	9,12	120
25	AE 250	9,47	120
27,5	AE 275	9,86	120
30	AE 300	10,44	120
	L = 1,00 m		
4,5	AE 45/100	5,46	240
6	AE 60/100	5,66	240
8	AE 80/100	5,92	240
10	AE 100/100	6,29	240
12,5	AE 125/100	6,98	240
15	AE 150/100	7,71	240

Nota :

Les profilés Schlüter-SCHIENE-M / -A / -AE en 2 mm, 3 mm et 4,5 mm ne possèdent pas d'espaceur.
 Pour des raisons techniques de production, les produits en longueur de 1,00 m ne peuvent être prédécoupés.
 Pour les longueurs de 3 m, compléter la référence avec « /300 » (ex. M 60/300).

Schlüter®-SCHIENE-E


Acier inox. V2A

H (mm)	L = 2,50 m Art.-No.	€ / m	KV (u.)
2	E 20	8,96	120
3	E 30	9,31	120
4,5	E 45	10,07	120
6	E 60	10,41	120
7	E 70	10,67	120
8	E 80	10,76	120
9	E 90	11,10	120
10	E 100	11,31	120
11	E 110	11,94	120
12,5	E 125	12,33	120
14	E 140	12,91	120
15	E 150	13,52	120
16	E 160	14,06	120
17,5	E 175	14,40	120
20	E 200	14,90	120
22,5	E 225	15,58	120
25	E 250	16,41	120
30	E 300	17,38	120
	L = 1,00 m		
6	E 60 / 100	11,02	240
8	E 80 / 100	11,31	240
10	E 100 / 100	11,88	240
11	E 110 / 100	12,52	240
12,5	E 125 / 100	12,93	240

Schlüter®-SCHIENE-E V4A


Acier inox. V4A

H (mm)	L = 2,50 m Art.-No.	€ / m	KV (u.)
4,5	E 45/V4A	11,14	120
6	E 60/V4A	11,68	120
8	E 80/V4A	11,90	120
10	E 100/V4A	12,53	120
11	E 110/V4A	13,28	120
12,5	E 125/V4A	13,71	120
14	E 140/V4A	14,34	120
15	E 150/V4A	15,04	120
16	E 160/V4A	15,62	120
17,5	E 175/V4A	16,00	120
20	E 200/V4A	16,55	120
22,5	E 225/V4A	17,35	120
25	E 250/V4A	18,24	120
30	E 300/V4A	19,34	120

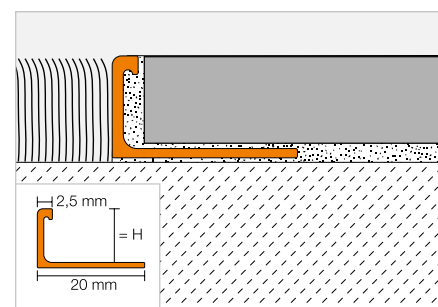
Schlüter®-SCHIENE-EB


Acier inox. V2A brossé

H (mm)	L = 2,50 m Art.-No.	€ / m	KV (u.)
6	E 60 EB	15,60	120
8	E 80 EB	15,94	120
10	E 100 EB	16,49	120
11	E 110 EB	17,34	120
12,5	E 125 EB	17,54	120

PROFILÉ DE FINITION
Schlüter®-SCHIENE-BASIC


Schlüter-SCHIENE-BASIC est un profilé de finition en angle droit pour revêtements carrelés. Sa surface visible est rectangulaire.


Schlüter®-SCHIENE-BASIC-M

Laiton

H (mm)	L = 2,50 m Art.-No.	€ / m	KV (u.)
—	—	—	—
8	MBS 80	8,11	120
10	MBS 100	8,58	120
—	—	—	—
12,5	MBS 125	9,29	120
	L = 1,00 m		
—	—	—	—
8	MBS 80/100	8,64	240
10	MBS 100/100	9,10	240
—	—	—	—
12,5	MBS 125/100	9,82	240

Schlüter®-SCHIENE-BASIC-A

Aluminium

H (mm)	L = 2,50 m Art.-No.	€ / m	KV (u.)
6	ABS 60	2,98	120
8	ABS 80	3,14	120
10	ABS 100	3,41	120
11	ABS 110	3,56	120
12,5	ABS 125	3,69	120
	L = 1,00 m		
6	ABS 60/100	3,55	240
8	ABS 80/100	3,69	240
10	ABS 100/100	3,95	240
11	ABS 110/100	4,08	240
12,5	ABS 125/100	4,24	240

Schlüter®-SCHIENE-BASIC-AE

Alu. naturel anodisé mat

H (mm)	L = 2,50 m Art.-No.	€ / m	KV (u.)
6	AEBS 60	4,42	120
8	AEBS 80	4,64	120
10	AEBS 100	4,84	120
11	AEBS 110	5,01	120
12,5	AEBS 125	5,24	120

Pour les longueurs de 3 m, compléter la référence avec « /300 » (ex. ABS 60/300).



Schlüter®-SCHIENE-ES

Pour plus de précision



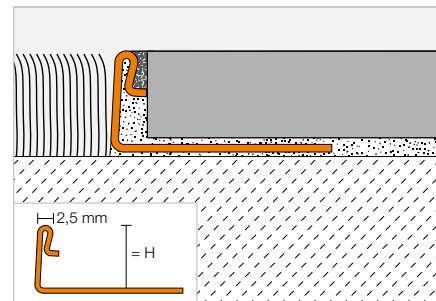
- ✓ Alignement parfait des joints
- ✓ Pose simple et précise
- ✓ Séparation nette entre le mortier-colle et le mortier-joint
- ✓ Le seul profilé en inox avec espaceur
- ✓ La technique de l'espaceur est brevetée depuis de nombreuses années
- ✓ Deux finitions : inox et inox brossé
- ✓ L'espaceur facilite la pose

PROFILÉ DE FINITION

Schlüter®-SCHIENE-ES



Schlüter-SCHIENE-ES est un profilé de finition en acier inoxydable pour revêtements en céramique ou en pierre naturelle. Un espaceur permet de prédéfinir un joint constant entre carreau et profilé.
(Fiche produit 1.1)



Schlüter®-SCHIENE-ES



Acier inox. V2A avec espaceur

H (mm)	L = 2,50 m Art.-No.	€ / m	KV (u.)
8	ES 80	10,76	120
10	ES 100	11,31	120
11	ES 110	11,94	120
12,5	ES 125	12,33	120
L = 1,00 m			
8	ES 80 / 100	11,31	240
10	ES 100 / 100	11,88	240
11	ES 110 / 100	12,52	240
12,5	ES 125 / 100	12,93	240

Schlüter®-SCHIENE-ES-EB



Acier inox. V2A brossé avec espaceur

H (mm)	L = 2,50 m Art.-No.	€ / m	KV (u.)
8	ES 80 EB	15,94	120
10	ES 100 EB	16,49	120
11	ES 110 EB	17,34	120
12,5	ES 125 EB	17,54	120

Pour les longueurs de 3 m, compléter la référence avec « /300 » (ex. ES 80/300).

Nota :

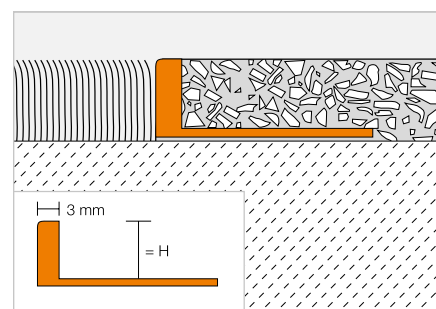
Pour des raisons techniques de production, les produits en longueur de 1,00 m ne peuvent être prédécoupés.

PROFILÉ DE FINITION

Schlüter®-SCHIENE-V



Schlüter-SCHIENE-V est un profilé à angle droit pour parquets ou autres revêtements tels que le Terrazzo (pierre et marbre). La partie visible du profilé peut être poncée en même temps que le revêtement.



Schlüter®-SCHIENE-AV



Aluminium

H (mm)	L = 2,50 m Art.-No.	€ / m	KV (u.)
10	A 100 V	5,29	120
12,5	A 125 V	5,42	120
26	A 260 V	7,92	120

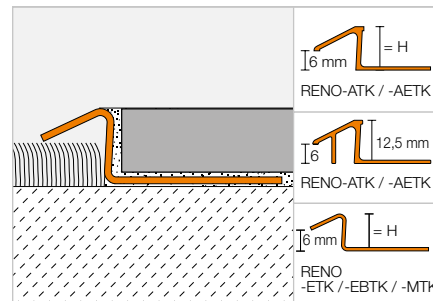


PROFILÉ DE TRANSITION

Schlüter®-RENO-TK



Schlüter-RENO-TK est un profilé de transition à recouvrement pouvant réaliser la liaison entre des revêtements de sols de différentes natures et un carrelage. Les bords des revêtements adjacents sont protégés efficacement. (Fiche produit 1.4)



Schlüter®-RENO-MTK



Laiton

H (mm)	L = 2,50 m Art.-No.	€ / m	KV (u.)
8	MTK 80	12,99	60
10	MTK 100	14,06	60
12,5	MTK 125	19,03	60
L = 1,00 m			
8	MTK 80/100	13,56	60
10	MTK 100/100	14,62	60
12,5	MTK 125/100	19,54	60

Schlüter®-RENO-ATK



Aluminium

H (mm)	L = 2,50 m Art.-No.	€ / m	KV (u.)
8	ATK 80	5,27	60
10	ATK 100	5,63	60
12,5	ATK 125	7,48	60
L = 1,00 m			
8	ATK 80/100	5,86	60
10	ATK 100/100	6,25	60
12,5	ATK 125/100	8,05	60

Schlüter®-RENO-AETK



Alu. naturel anodisé mat

H (mm)	L = 2,50 m Art.-No.	€ / m	KV (u.)
8	AETK 80	8,11	60
10	AETK 100	8,45	60
12,5	AETK 125	9,99	60
L = 1,00 m			
8	AETK 80/100	8,72	60
10	AETK 100/100	9,06	60
12,5	AETK 125/100	10,58	60

Schlüter®-RENO-ETK

Acier inox. V2A

H (mm)	L = 2,50 m Art.-No.	€ / m	KV (u.)
8	ETK 80	13,86	60
10	ETK 100	15,67	60
11	ETK 110	17,06	60
12,5	ETK 125	17,85	60
L = 1,00 m			
8	ETK 80/100	14,64	60
10	ETK 100/100	16,46	60
11	ETK 110/100	17,87	60
12,5	ETK 125/100	18,61	60

Schlüter®-RENO-EBTK

Acier inox. V2A brossé

H (mm)	L = 2,50 m Art.-No.	€ / m	KV (u.)
8	EBTK 80	18,00	60
10	EBTK 100	20,41	60
11	EBTK 110	22,06	60
12,5	EBTK 125	23,19	60
L = 1,00 m			
8	EBTK 80/100	18,81	60
10	EBTK 100/100	21,23	60
11	EBTK 110/100	22,93	60
12,5	EBTK 125/100	24,00	60

Nota :

Pour des raisons techniques de production, les produits en longueur de 1,00 m ne peuvent être prédécoupés.

Schlüter®-RENO-V

Profilé de transition avec plage mobile



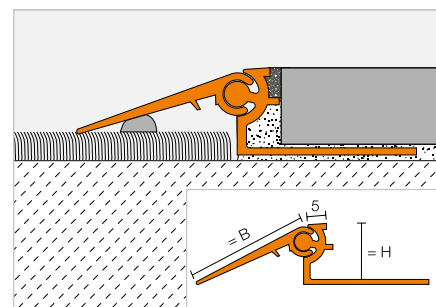
- ✓ Evite les butées entre deux revêtements de hauteurs différentes
- ✓ Plage mobile articulée
- ✓ Protège les bords des revêtements
- ✓ Assure un recouvrement impeccable des revêtements tels que la moquette ou le sol souple
- ✓ Six hauteurs de profilé et trois largeurs de plage
- ✓ Le profilé-support et la plage mobile peuvent être commandés individuellement

PROFILÉ DE TRANSITION

Schlüter®-RENO-V



Schlüter-RENO-V est un profilé de transition avec plage mobile, permettant de s'adapter au revêtement adjacent. Un espaceur permet de prédéfinir le joint entre carreau et profilé. (Fiche produit 1.7)



Schlüter®-RENO-AV

Aluminium

H (mm)	L = 2,50 m Art.-No.	€ / m	KV (u.)
8	AVT 80 B20	13,07	40
10	AVT 100 B20	13,39	40
12,5	AVT 125 B30	15,12	40
15	AVT 150 B30	15,26	40
17,5	AVT 175 B40	17,66	40
20	AVT 200 B40	18,19	40
L = 1,00 m			
8	AVT 80 B20/100	14,21	60
10	AVT 100 B20/100	14,47	60
12,5	AVT 125 B30/100	16,26	60
15	AVT 150 B30/100	16,44	60
17,5	AVT 175 B40/100	18,81	60
20	AVT 200 B40/100	19,40	60

Schlüter®-RENO-AEV

Alu. naturel anodisé mat

H (mm)	L = 2,50 m Art.-No.	€ / m	KV (u.)
8	AEVT 80 B20	20,16	40
10	AEVT 100 B20	20,53	40
12,5	AEVT 125 B30	22,39	40
15	AEVT 150 B30	22,93	40
17,5	AEVT 175 B40	25,63	40
20	AEVT 200 B40	26,90	40
L = 1,00 m			
8	AEVT 80 B20/100	21,29	60
10	AEVT 100 B20/100	21,70	60
12,5	AEVT 125 B30/100	23,57	60
15	AEVT 150 B30/100	23,99	60
17,5	AEVT 175 B40/100	26,72	60
20	AEVT 200 B40/100	28,07	60

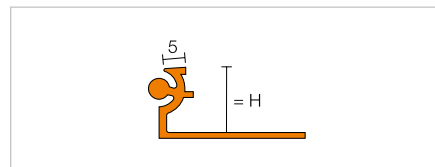


PROFILÉ DE TRANSITION

Schlüter®-RENO-VT

Schlüter-RENO-VT est un profilé porteur pour l'élément de transition Schlüter-RENO-VB, avec lequel il peut être combiné dans toutes les dimensions.

(Fiche produit 1.7)



Schlüter®-RENO-AVT

Profilé porteur en aluminium

H (mm)	L = 2,50 m Art.-No.	€/ m	KV (u.)
8	AVT 80	6,57	60
10	AVT 100	6,92	60
12,5	AVT 125	7,28	60
15	AVT 150	7,48	60
17,5	AVT 175	7,80	60
20	AVT 200	8,38	60

Schlüter®-RENO-AEVT

Profilé porteur en alu. naturel anodisé mat

H (mm)	L = 2,50 m Art.-No.	€/ m	KV (u.)
8	AEVT 80	8,78	60
10	AEVT 100	9,22	60
12,5	AEVT 125	9,68	60
15	AEVT 150	10,22	60
17,5	AEVT 175	10,67	60
20	AEVT 200	12,09	60

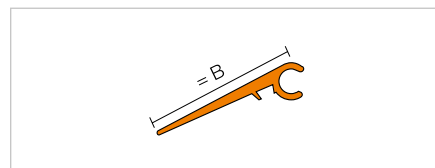
Prix pour Schlüter-RENO-VT et -VB en longueur de 1 m sur demande (compléter la référence avec « /100 », ex. AVT 80/100)

PROFILÉ DE TRANSITION

Schlüter®-RENO-VB

Schlüter-RENO-VB est l'élément de transition variable pouvant être combiné dans toutes les dimensions avec le profilé porteur Schlüter-RENO-VT.

(Fiche produit 1.7)



Schlüter®-RENO-AVB

Aluminium

B (mm)	L = 2,50 m Art.-No.	€/ m	KV (u.)
20	AVB 20	3,42	60
30	AVB 30	4,75	60
40	AVB 40	7,00	60

Schlüter®-RENO-AEVB

Alu. naturel anodisé mat

B (mm)	L = 2,50 m Art.-No.	€/ m	KV (u.)
20	AEVB 20	8,55	60
30	AEVB 30	9,99	60
40	AEVB 40	12,33	60

Prix pour Schlüter-RENO-VT et -VB en longueur de 1 m sur demande (compléter la référence avec « /100 », ex. AVT 80/100)

CORNIÈRE

Schlüter®-WINKEL



Schlüter-WINKEL est une cornière non perforée.

Schlüter®-WINKEL-A

Aluminium

L = 2,50 m Art.-No.	€/ m	KV (u.)
AW 15 x 30 x 2	5,63	60
AW 20 x 20 x 2	5,01	60
AW 30 x 30 x 2	7,72	60
AW 30 x 30 x 3	11,36	60
AW 40 x 20 x 2	7,65	60
AW 40 x 40 x 3	15,21	60

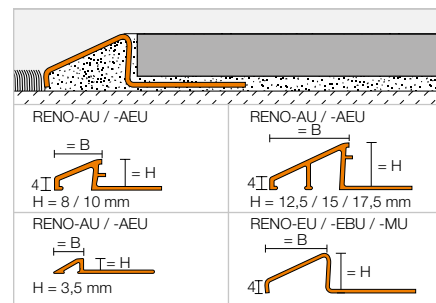
PROFILÉ DE TRANSITION

Schlüter®-RENO-U



Schlüter-RENO-U est un profilé permettant de réaliser une transition entre des revêtements de sols de hauteurs différentes. Un espaceur permet de prédéfinir le joint entre carreau et profilé. Les profilés Schlüter-RENO-AU et AEU en 3,5 mm ainsi que les profilés Schlüter-RENO-EU, -EBU et -MU ne possèdent pas d'espaceur.

(Fiche produit 1.2)



Schlüter®-RENO-MU

Laiton

H (mm)	B (mm)	L = 2,50 m Art.-No.	€ / m	KV (u.)
—	—	—	—	—
8	12,5	MU 80	15,52	60
10	16,5	MU 100	17,40	60
12,5	22	MU 125	23,00	60
15	27,5	MU 150	25,46	60
—	—	—	—	—
L = 1,00 m				
8	12,5	MU 80/100	16,35	60
10	16,5	MU 100/100	18,19	60
12,5	22	MU 125/100	23,82	60

Schlüter®-RENO-AU

Aluminium

H (mm)	B (mm)	L = 2,50 m Art.-No.	€ / m	KV (u.)
3,5	9	AU 35	5,83	60
8	12,5	AU 80	6,05	60
10	16,5	AU 100	6,73	60
12,5	22	AU 125	8,65	60
15	27,5	AU 150	9,68	60
17,5	27	AU 175	10,84	60
L = 1,00 m				
8	12,5	AU 80/100	6,92	60
10	16,5	AU 100/100	7,55	60
12,5	22	AU 125/100	9,45	60

Schlüter®-RENO-AEU

Alu. naturel anodisé mat

H (mm)	B (mm)	L = 2,50 m Art.-No.	€ / m	KV (u.)
3,5	9	AEU 35	8,24	60
8	12,5	AEU 80	8,85	60
10	16,5	AEU 100	9,68	60
12,5	22	AEU 125	11,76	60
15	27,5	AEU 150	13,13	60
17,5	27	AEU 175	14,21	60
L = 1,00 m				
8	12,5	AEU 80/100	9,68	60
10	16,5	AEU 100/100	10,58	60
12,5	22	AEU 125/100	12,55	60

Schlüter®-RENO-EU

Acier inox. V2A

H (mm)	B (mm)	L = 2,50 m Art.-No.	€ / m	KV (u.)
8	13	EU 80	16,81	60
10	17,5	EU 100	18,44	60
11	20	EU 110	19,76	60
12,5	23	EU 125	20,42	60
15	28	EU 150	22,19	60
17,5	33,5	EU 175	24,19	60
20	44,5	EU 200	26,32	60
L = 1,00 m				
8	13	EU 80/100	17,59	60
10	17,5	EU 100/100	19,24	60
11	20	EU 110/100	20,56	60
12,5	23	EU 125/100	21,25	60

Schlüter®-RENO-EBU

Acier inox. V2A brossé

H (mm)	B (mm)	L = 2,50 m Art.-No.	€ / m	KV (u.)
8	13	EBU 80	21,83	60
10	17,5	EBU 100	23,94	60
11	20	EBU 110	25,74	60
12,5	23	EBU 125	26,51	60
15	28	EBU 150	28,87	60
17,5	33,5	EBU 175	31,45	60
20	44,5	EBU 200	34,21	60
L = 1,00 m				
8	13	EBU 80/100	22,63	60
10	17,5	EBU 100/100	24,73	60
11	20	EBU 110/100	26,56	60
12,5	23	EBU 125/100	27,29	60



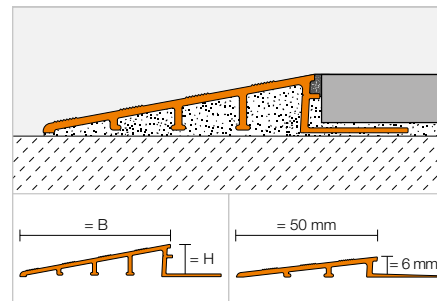
PROFILÉ DE TRANSITION

Schlüter®-RENO-RAMP



Schlüter-RENO-RAMP est un profilé permettant une transition entre un revêtement céramique fortement sollicité et un autre revêtement de moindre épaisseur. Un espaceur permet de prédéfinir le joint entre carreau et profilé.

(Fiche produit 1.2)



Schlüter®-RENO-RAMP-AE

Alu. naturel anodisé mat

H (mm)	B (mm)	L = 2,50 m Art.-No.	€ / m	KV (u.)
6	50	AERP 60 B50	20,54	60
10	64	AERP 100 B65	21,82	60
12,5	64	AERP 125 B65	22,32	60
12,5	89	AERP 125 B90	25,98	60
15	89	AERP 150 B90	28,31	60
20	89	AERP 200 B90	33,59	60

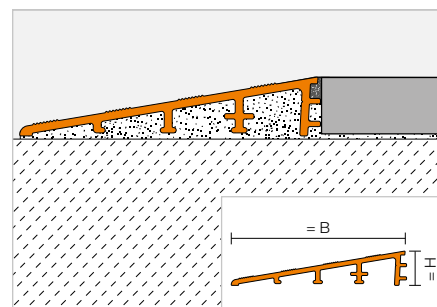
PROFILÉ DE TRANSITION

Schlüter®-RENO-RAMP-K



Schlüter-RENO-RAMP-K est un profilé assurant une transition entre un revêtement céramique fortement sollicité et un autre revêtement de moindre épaisseur. Le profilé ne possède pas d'ailette et peut donc être utilisé pour compenser une différence de hauteur entre un revêtement déjà posé et le support.

(Fiche produit 1.2)



Schlüter®-RENO-RAMP-K

Alu. naturel anodisé mat

H (mm)	B (mm)	L = 2,50 m Art.-No.	€ / m	KV (u.)
12,5	64	AERPK 125 B65	18,96	60

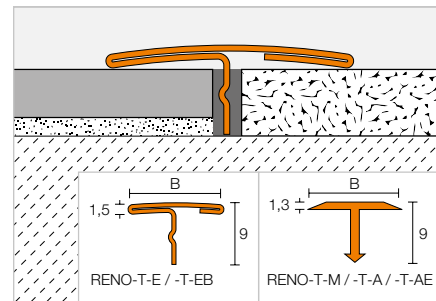


PROFILÉ DE TRANSITION

Schlüter®-RENO-T



Schlüter-RENO-T est un profilé pouvant être posé a posteriori, qui assure la transition entre deux revêtements adjacents de même niveau. (Fiche produit 1.3)



Schlüter®-RENO-T-M

Laiton

B (mm)	L = 2,50 m Art.-No.	€ / m	KV (u.)
14	T 9/14 M	7,28	120
25	T 9/25 M	12,42	120
L = 1,00 m			
14	T 9/14 M/100	7,88	120
25	T 9/25 M/100	12,99	120

Schlüter®-RENO-T-A

Aluminium

B (mm)	L = 2,50 m Art.-No.	€ / m	KV (u.)
14	T 9/14 A	2,85	120
25	T 9/25 A	3,63	120
L = 1,00 m			
14	T 9/14 A/100	3,37	120
25	T 9/25 A/100	4,19	120

Schlüter®-RENO-T-AE

Alu. naturel anodisé mat

B (mm)	L = 2,50 m Art.-No.	€ / m	KV (u.)
14	T 9/14 A E	4,58	120
25	T 9/25 A E	4,95	120
L = 1,00 m			
14	T 9/14 A E/100	5,15	120
25	T 9/25 A E/100	5,50	120

Schlüter®-RENO-T-E

Acier inox. V2A

B (mm)	L = 2,50 m Art.-No.	€ / m	KV (u.)
14	T 9/14 E	10,57	120
25	T 9/25 E	13,66	120
L = 1,00 m			
14	T 9/14 E/100	11,14	120
25	T 9/25 E/100	14,21	120

Schlüter®-RENO-T-EB

Acier inox. V2A brossé

B (mm)	L = 2,50 m Art.-No.	€ / m	KV (u.)
14	T 9/14 EB	13,74	120
25	T 9/25 EB	17,73	120
L = 1,00 m			
14	T 9/14 EB/100	14,50	120
25	T 9/25 EB/100	18,48	120

Nota :

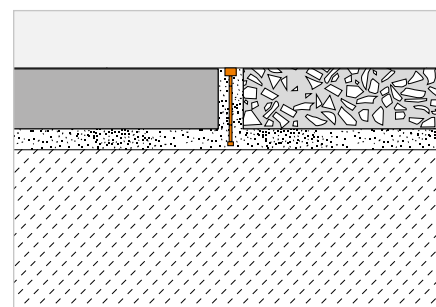
Même sans prédécoupe, les profilés Schlüter-RENO-T-M / -T-A / -T-AE en largeur de 14 mm peuvent être cintrés à l'aide de la cintreuse Schlüter-RUMA.

PROFILÉ DE SÉPARATION

Schlüter®-TERRAZZO



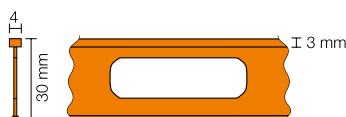
Schlüter-TERRAZZO est un profilé décoratif en laiton qui se pose dans le revêtement terazzo (pierre, marbre, ...).



Schlüter®-TERRAZZO-M

Laiton

H (mm)	L = 2,50 m Art.-No.	€ / m	KV (u.)
30	TM 4 x 30	11,43	120





Profilsés Schlüter

Profilsés pour revêtements muraux, angles et finitions,
Accessoires de salles de bains

La protection des chants des carreaux n'est pas uniquement une question d'ordre esthétique. Elle est essentielle, au même titre que la mise en valeur des revêtements carrelés posés selon les règles de l'art grâce aux profilsés Schlüter-Systems. La diversité des formes, des coloris et des finitions de nos profilsés autorise une créativité sans limite.





Profilés de finition

Schlüter®-QUADEC	28–38
Schlüter®-RONDEC	39–48
Schlüter®-JOLLY	49–51
Schlüter®-SCHIENE	52–55
Schlüter®-FINEC	56–60
Schlüter®-DECO	66–67
Schlüter®-INDEC	67
Schlüter®-RONDEC-STEP	76–77
Schlüter®-SCHIENE-STEP	78–79

Profilés avec accessoires pour salles de bains

Schlüter®-ARCLINE	61–65
-------------------	-------

Profilé d'angle

Schlüter®-ECK	68–69
---------------	-------

Profilé à gorge

Schlüter®-ECK-KHK	70
-------------------	----

Profilé de bordure

Schlüter®-DESIGNLINE	71
----------------------	----

Profilé décoratif

Schlüter®-QUADEC-FS	71
---------------------	----

Profilé de finition

Schlüter®-DECO-SG	72
-------------------	----

Plinthe

Schlüter®-DESIGNBASE	72–75
----------------------	-------



Profils Schlüter

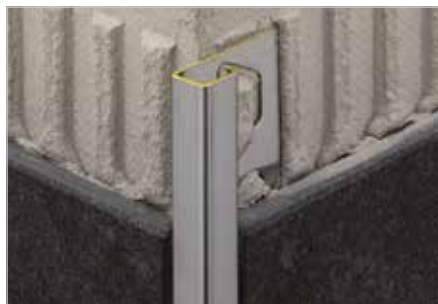
Métal précieux

La solution idéale pour combiner protection des angles et effet visuel esthétique ; s'accorde aux robinetteries chromées ou en inox. En acier inoxydable ou en laiton chromé, Schlüter-QUADEC embellit vos revêtements carrelés.

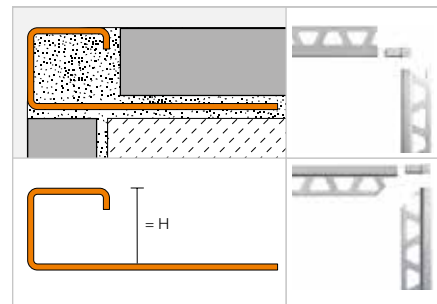


PROFILÉ DE FINITION

Schlüter®-QUADEC-MC



Schlüter-QUADEC-MC est un profilé de finition en laiton chromé pour angles sortants de revêtements carrelés. La surface visible du profilé forme un angle droit.
(Fiche produit 2.10)



Schlüter®-QUADEC-MC

Laiton chromé

H (mm)	L = 2,50 m Art.-No.	€ / m	KV (u.)
6	Q 60 MC	30,60	120
8	Q 80 MC	32,35	120
10	Q 100 MC	33,72	120
11	Q 110 MC	34,71	120
12,5	Q 125 MC	35,59	120
15	Q 150 MC	37,51	120

ANGLE

Schlüter®-QUADEC-MC/EV

Angle sortant/reentrant 90°
laiton chromé massif

H (mm)	Art.-No.	€ / u.	P (u.)
6	EV / Q 60 MC	17,59	50
8	EV / Q 80 MC	18,01	50
10	EV / Q 100 MC	19,42	50
11	EV / Q 110 MC	19,70	50
12,5	EV / Q 125 MC	19,89	50
15	EV / Q 150 MC	20,66	50

Schlüter®-QUADEC-MC/ED

Angle sortant/reentrant 90°
en imitation sur support en métal coulé sous pression

H (mm)	Art.-No.	€ / u.	P (u.)
6	ED / Q 60 MC	4,03	50
8	ED / Q 80 MC	4,03	50
10	ED / Q 100 MC	4,03	50
11	ED / Q 110 MC	4,03	50
12,5	ED / Q 125 MC	4,03	50
15	ED / Q 150 MC	4,03	50



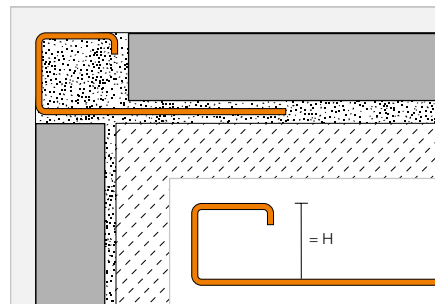
PROFILÉ DE FINITION

Schlüter®-QUADEC-E



Le profilé de finition en acier inoxydable V2A Schlüter-QUADEC-E assure à la fois la finition et la protection efficace des angles sortants. La surface visible du profilé forme un angle droit.

(Fiche produit 2.10)



Schlüter®-QUADEC-E



Acier inox. V2A

H (mm)	L = 2,50 m Art.-No.	€ / m	KV (u.)
4,5	Q 45 E	12,40	120
6	Q 60 E	13,22	120
7	Q 70 E	13,74	120
8	Q 80 E	14,26	120
9	Q 90 E	14,97	120
10	Q 100 E	15,26	120
11	Q 110 E	15,61	120
12,5	Q 125 E	16,19	120
14	Q 140 E	16,76	120
15	Q 150 E	17,24	120

Schlüter®-QUADEC-EB



Acier inox. V2A brossé

H (mm)	L = 2,50 m Art.-No.	€ / m	KV (u.)
—	—	—	—
6	Q 60 EB	17,36	120
7	Q 70 EB	17,92	120
8	Q 80 EB	18,70	120
9	Q 90 EB	19,47	120
10	Q 100 EB	20,05	120
11	Q 110 EB	20,83	120
12,5	Q 125 EB	21,28	120
14	Q 140 EB	22,38	120
15	Q 150 EB	22,72	120

Schlüter®-QUADEC-EP



Acier inox. V2A poli (poli à la main)

H (mm)	L = 2,50 m Art.-No.	€ / m	KV (u.)
—	—	—	—
6	Q 60 EP	24,09	120
—	—	—	—
8	Q 80 EP	25,09	120
—	—	—	—
10	Q 100 EP	26,10	120
—	—	—	—
12,5	Q 125 EP	28,11	120
—	—	—	—
15	Q 150 EP	30,10	120

Schlüter®-QUADEC-E V4A



Acier inox. V4A

H (mm)	L = 2,50 m Art.-No.	€ / m	KV (u.)
6	Q 60 E / V4A	14,72	120
8	Q 80 E / V4A	15,85	120
10	Q 100 E / V4A	16,99	120
12,5	Q 125 E / V4A	17,97	120

Nota :

Les profilés Schlüter-QUADEC-E/-EB en 14/15 mm ne peuvent pas être cintrés.

Les profilés Schlüter-QUADEC-EP en 15 mm ne peuvent pas être cintrés.

Schlüter-QUADEC-E/-EB peut également être utilisé au sol.

Pour les longueurs de 3 m, compléter la référence avec « /300 » (ex. Q 60 E/300).

ANGLE | CAPUCHON DE FERMETURE | RACCORD

Schlüter®-QUADEC-E/EV

Angle sortant/reentrant 90°
acier inox. V2A

H (mm)	Art.-No.	€ / u.	P (u.)
4,5	EV / Q 45 E	21,58	50
6	EV / Q 60 E	22,03	50
7	EV / Q 70 E	22,32	50
8	EV / Q 80 E	22,61	50
9	EV / Q 90 E	23,98	50
10	EV / Q 100 E	24,44	50
11	EV / Q 110 E	24,72	50
12,5	EV / Q 125 E	24,99	50
14	EV / Q 140 E	25,44	50
15	EV / Q 150 E	25,60	50

Schlüter®-QUADEC-E/ED

Angle sortant/reentrant 90°
en imitation sur support en métal coulé sous pression

H (mm)	Art.-No.	€ / u.	P (u.)
4,5	ED / Q 45 E	4,08	50
6	ED / Q 60 E	4,08	50
7	ED / Q 70 E	4,08	50
8	ED / Q 80 E	4,08	50
9	ED / Q 90 E	4,08	50
10	ED / Q 100 E	4,08	50
11	ED / Q 110 E	4,08	50
12,5	ED / Q 125 E	4,08	50
14	ED / Q 140 E	4,08	50
15	ED / Q 150 E	4,08	50



La pièce d'angle peut être utilisée indifféremment pour des angles sortants ou des angles rentrants.

Schlüter®-QUADEC-EB/EV

 Angle sortant/reentrant 90°
acier inox. V2A brossé

H (mm)	Art.-No.	€ / u.	P (u.)
6	EV / Q 60 EB	25,62	50
7	EV / Q 70 EB	25,93	50
8	EV / Q 80 EB	26,26	50
9	EV / Q 90 EB	27,18	50
10	EV / Q 100 EB	28,37	50
11	EV / Q 110 EB	28,55	50
12,5	EV / Q 125 EB	28,99	50
14	EV / Q 140 EB	29,19	50
15	EV / Q 150 EB	29,67	50

Schlüter®-QUADEC-EB/ED

 Angle sortant/reentrant 90° en imitation sur support
en métal coulé sous pression brossé

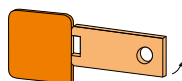
H (mm)	Art.-No.	€ / u.	P (u.)
6	ED / Q 60 EB	5,97	50
7	ED / Q 70 EB	5,97	50
8	ED / Q 80 EB	5,97	50
9	ED / Q 90 EB	5,97	50
10	ED / Q 100 EB	5,97	50
11	ED / Q 110 EB	5,97	50
12,5	ED / Q 125 EB	5,97	50
14	ED / Q 140 EB	5,97	50
15	ED / Q 150 EB	5,97	50


 La pièce d'angle peut être utilisée indifféremment
pour des angles sortants ou des angles rentrants.

Schlüter®-QUADEC-EB/EK*

Capuchon de fermeture acier inox. V2A brossé

H (mm)	Art.-No.	€ / u.	P (u.)
6	EK / Q 60 EB	2,19	50
7	EK / Q 70 EB	2,19	50
8	EK / Q 80 EB	2,19	50
9	EK / Q 90 EB	2,19	50
10	EK / Q 100 EB	2,19	50
11	EK / Q 110 EB	2,19	50
12,5	EK / Q 125 EB	2,19	50
14	EK / Q 140 EB	2,19	50
15	EK / Q 150 EB	2,19	50



Schlüter®-QUADEC-EB/EK

* Convient pour Schlüter®-QUADEC-E/-EB, V2A.

Schlüter®-QUADEC-EP/EV

 Angle sortant/reentrant 90°
acier inox. V2A poli

H (mm)	Art.-No.	€ / u.	P (u.)
6	EV / Q 60 EP	24,43	50
8	EV / Q 80 EP	25,90	50
10	EV / Q 100 EP	27,75	50
12,5	EV / Q 125 EP	30,10	50
15	EV / Q 150 EP	33,44	50

Schlüter®-QUADEC-EP/ED

 Angle sortant/reentrant 90° en imitation sur support
en métal coulé sous pression poli

H (mm)	Art.-No.	€ / u.	P (u.)
6	ED / Q 60 EP	4,14	50
8	ED / Q 80 EP	4,14	50
10	ED / Q 100 EP	4,14	50
12,5	ED / Q 125 EP	4,14	50
15	ED / Q 150 EP	4,14	50

Schlüter®-QUADEC-EV V4A

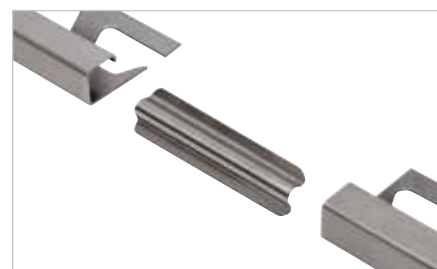
 Angle sortant/reentrant 90°
acier inox. V4A

H (mm)	Art.-No.	€ / u.	P (u.)
6	EV / Q 60 E/V4A	24,50	50
8	EV / Q 80 E/V4A	25,13	50
10	EV / Q 100 E/V4A	27,17	50
12,5	EV / Q 125 E/V4A	27,76	50

Schlüter®-RONDEC-E/V

Pièce de liaison pour profilés en inox

H (mm)	Art.-No.	€ / u.	P (u.)
6	V / RO 60 E	2,16	50
8	V / RO 80 E	2,16	50
10	V / RO 100 E	2,16	50
11	V / RO 110 E	2,16	50
12,5	V / RO 125 E	2,16	50



Convient pour Schlüter®-QUADEC et -RONDEC.

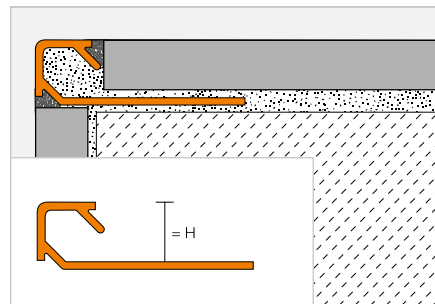


PROFILÉ DE FINITION

Schlüter®-QUADEC-TS



Schlüter-QUADEC-TS est un profilé en aluminium avec une finition structurée, pour angles sortants et chants de revêtements carrelés. La surface visible du profilé forme un angle droit. Un espaceur permet de prédéfinir le joint entre carreau et profilé.
(Fiche produit 2.10)



Schlüter®-QUADEC-TSI



Alu. finition structurée ivoire

H (mm)	L = 2,50 m Art.-No.	€ / m	KV (u.)
4,5	Q 45 TSI	13,08	120
6	Q 60 TSI	13,64	120
8	Q 80 TSI	14,79	120
10	Q 100 TSI	15,92	120
11	Q 110 TSI	16,49	120
12,5	Q 125 TSI	17,34	120

Schlüter®-QUADEC-TSC



Alu. finition structurée sable

H (mm)	L = 2,50 m Art.-No.	€ / m	KV (u.)
4,5	Q 45 TSC	13,08	120
6	Q 60 TSC	13,64	120
8	Q 80 TSC	14,79	120
10	Q 100 TSC	15,92	120
11	Q 110 TSC	16,49	120
12,5	Q 125 TSC	17,34	120

Schlüter®-QUADEC-TSBG



Alu. finition structurée gris beige

H (mm)	L = 2,50 m Art.-No.	€ / m	KV (u.)
4,5	Q 45 TSBG	13,08	120
6	Q 60 TSBG	13,64	120
8	Q 80 TSBG	14,79	120
10	Q 100 TSBG	15,92	120
11	Q 110 TSBG	16,49	120
12,5	Q 125 TSBG	17,34	120

Schlüter®-QUADEC-TSB



Alu. finition structurée beige

H (mm)	L = 2,50 m Art.-No.	€ / m	KV (u.)
4,5	Q 45 TSB	13,08	120
6	Q 60 TSB	13,64	120
8	Q 80 TSB	14,79	120
10	Q 100 TSB	15,92	120
11	Q 110 TSB	16,49	120
12,5	Q 125 TSB	17,34	120

Schlüter®-QUADEC-TSSG



Alu. finition structurée gris pierre

H (mm)	L = 2,50 m Art.-No.	€ / m	KV (u.)
4,5	Q 45 TSSG	13,08	120
6	Q 60 TSSG	13,64	120
8	Q 80 TSSG	14,79	120
10	Q 100 TSSG	15,92	120
11	Q 110 TSSG	16,49	120
12,5	Q 125 TSSG	17,34	120

Schlüter®-QUADEC-TSG



Alu. finition structurée gris

H (mm)	L = 2,50 m Art.-No.	€ / m	KV (u.)
4,5	Q 45 TSG	13,08	120
6	Q 60 TSG	13,64	120
8	Q 80 TSG	14,79	120
10	Q 100 TSG	15,92	120
11	Q 110 TSG	16,49	120
12,5	Q 125 TSG	17,34	120

Schlüter®-QUADEC-TSOB



Alu. finition structurée bronze

H (mm)	L = 2,50 m Art.-No.	€ / m	KV (u.)
4,5	Q 45 TSOB	13,08	120
6	Q 60 TSOB	13,64	120
8	Q 80 TSOB	14,79	120
10	Q 100 TSOB	15,92	120
11	Q 110 TSOB	16,49	120
12,5	Q 125 TSOB	17,34	120

Schlüter®-QUADEC-TSLA



Alu. finition structurée gris anthracite clair

H (mm)	L = 2,50 m Art.-No.	€ / m	KV (u.)
4,5	Q 45 TSLA	13,08	120
6	Q 60 TSLA	13,64	120
8	Q 80 TSLA	14,79	120
10	Q 100 TSLA	15,92	120
11	Q 110 TSLA	16,49	120
12,5	Q 125 TSLA	17,34	120

Schlüter®-QUADEC-TSDA



Alu. finition structurée gris anthracite

H (mm)	L = 2,50 m Art.-No.	€ / m	KV (u.)
4,5	Q 45 TSDA	13,08	120
6	Q 60 TSDA	13,64	120
8	Q 80 TSDA	14,79	120
10	Q 100 TSDA	15,92	120
11	Q 110 TSDA	16,49	120
12,5	Q 125 TSDA	17,34	120

Schlüter®-QUADEC-TSR



Alu. finition structurée brun rustique

H (mm)	L = 2,50 m Art.-No.	€ / m	KV (u.)
4,5	Q 45 TSR	13,08	120
6	Q 60 TSR	13,64	120
8	Q 80 TSR	14,79	120
10	Q 100 TSR	15,92	120
11	Q 110 TSR	16,49	120
12,5	Q 125 TSR	17,34	120

Schlüter®-QUADEC-MBW



Alu. coloré blanc mat

H (mm)	L = 2,50 m Art.-No.	€ / m	KV (u.)
4,5	Q 45 MBW	6,74	120
6	Q 60 MBW	7,15	120
8	Q 80 MBW	8,00	120
10	Q 100 MBW	8,76	120
11	Q 110 MBW	9,80	120
12,5	Q 125 MBW	10,96	120

Schlüter®-QUADEC-MGS

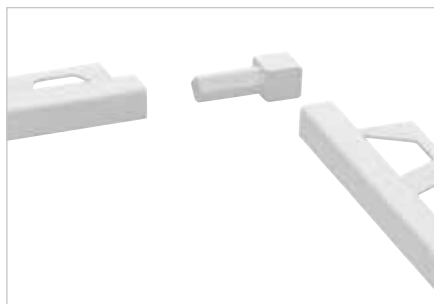


Alu. coloré noir graphite mat

H (mm)	L = 2,50 m Art.-No.	€ / m	KV (u.)
4,5	Q 45 MGS	6,74	120
6	Q 60 MGS	7,15	120
8	Q 80 MGS	8,00	120
10	Q 100 MGS	8,76	120
11	Q 110 MGS	9,80	120
12,5	Q 125 MGS	10,96	120

Pour les longueurs de 3 m, compléter la référence avec « /300 » (ex. Q 60 TSI/300).

ANGLE | RACCORD


Schlüter®-QUADEC-TS/EV

 Angle sortant/reentrant 90°
alu. finition structurée

H (mm)	Art.-No.	€ / u.	P (u.)
4,5	EV / Q 45 ...*	10,80	50
6	EV / Q 60 ...*	10,80	50
8	EV / Q 80 ...*	10,80	50
10	EV / Q 100 ...*	10,80	50
11	EV / Q 110 ...*	10,80	50
12,5	EV / Q 125 ...*	10,80	50

Schlüter®-QUADEC-AC/EV

 Angle sortant/reentrant 90°
aluminium massif pour QUADEC-MBW/-MGS

H (mm)	Art.-No.	€ / u.	P (u.)
4,5	EV / Q 45 ...**	10,80	50
6	EV / Q 60 ...**	10,80	50
8	EV / Q 80 ...**	10,80	50
10	EV / Q 100 ...**	10,80	50
11	EV / Q 110 ...**	10,80	50
12,5	EV / Q 125 ...**	10,80	50

Schlüter®-QUADEC-AC/ED

 Angle sortant 90° pour QUADEC-MBW/-MGS
en imitation sur support en métal coulé sous pression

H (mm)	Art.-No.	€ / u.	P (u.)
4,5	ED / Q 45 ...**	4,03	50
6	ED / Q 60 ...**	4,03	50
8	ED / Q 80 ...**	4,03	50
10	ED / Q 100 ...**	4,03	50
11	ED / Q 110 ...**	4,03	50
12,5	ED / Q 125 ...**	4,03	50

Schlüter®-RONDEC-A/V

Pièce de liaison pour profilés en aluminium

H (mm)	Art.-No.	€ / u.	P (u.)
6	V / RO 60	1,10	50
8	V / RO 80	1,10	50
10	V / RO 100	1,10	50
11	V / RO 110	1,10	50
12,5	V / RO 125	1,10	50

Schlüter®-QUADEC-A/V

Pièce de liaison pour profilés en aluminium

H (mm)	Art.-No.	€ / u.	P (u.)
6	V / Q 60	1,10	50



Schlüter®-RONDEC-A/V convient indifféremment pour les profilés Schlüter®-QUADEC et -RONDEC, pour les hauteurs de 8, 10, 11, et 12,5 mm. Pour la hauteur de 6 mm, choisir V/RO 60 pour Schlüter®-RONDEC et V/Q 60 pour Schlüter®-QUADEC.

Art.-No. à compléter avec la finition/couleur (exemple EV / Q 45 MBW)

* Finitions/couleurs : TSB - TSBG - TSC - TSDA - TSG - TSI - TSLA - TSOB - TSR - TSSG

** Finitions/couleurs : MBW - MGS

FINITIONS / COULEURS DISPONIBLES



Vous trouverez un récapitulatif des finitions et des couleurs à partir de la page 293.



Schlüter®-QUADEC-A

Un large choix de finitions anodisées

- ✓ Profilés en aluminium anodisé
- ✓ Cinq couleurs différentes
- ✓ Quatre finitions différentes :
 - Mat
 - Brillant
 - Brossé
 - Tramé

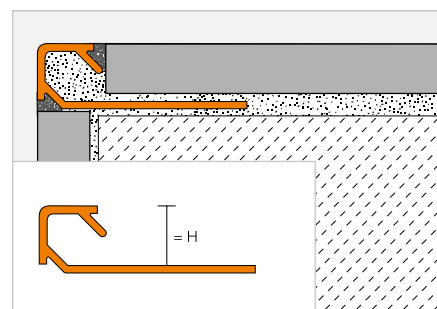


PROFILÉ DE FINITION

Schlüter®-QUADEC-A



Schlüter-QUADEC-A est un profilé de finition en aluminium anodisé pour angles sortants et chants de revêtements carrelés. La surface visible du profilé forme un angle droit. Un espaceur permet de prédéfinir le joint entre carreau et profilé.
(Fiche produit 2.10)



Schlüter®-QUADEC-AE



Alu. naturel anodisé mat

H (mm)	L = 2,50 m Art.-No.	€/m	KV (u.)
4,5	Q 45 AE	5,77	120
6	Q 60 AE	5,99	120
8	Q 80 AE	6,48	120
10	Q 100 AE	7,07	120
11	Q 110 AE	7,34	120
12,5	Q 125 AE	7,57	120

Schlüter®-QUADEC-ACG



Alu. chromé anodisé brillant

H (mm)	L = 2,50 m Art.-No.	€/m	KV (u.)
4,5	Q 45 ACG	12,97	120
6	Q 60 ACG	13,62	120
8	Q 80 ACG	14,32	120
10	Q 100 ACG	15,21	120
11	Q 110 ACG	15,92	120
12,5	Q 125 ACG	16,92	120

Schlüter®-QUADEC-ACGB



Alu. chromé anodisé brossé

H (mm)	L = 2,50 m Art.-No.	€/m	KV (u.)
4,5	Q 45 ACGB	13,24	120
6	Q 60 ACGB	13,85	120
8	Q 80 ACGB	15,50	120
10	Q 100 ACGB	16,34	120
11	Q 110 ACGB	16,72	120
12,5	Q 125 ACGB	17,12	120

Schlüter®-QUADEC-AT


Alu. titane anodisé mat

H (mm)	L = 2,50 m Art.-No.	€ / m	KV (u.)
4,5	Q 45 AT	6,05	120
6	Q 60 AT	6,33	120
8	Q 80 AT	6,90	120
10	Q 100 AT	7,50	120
11	Q 110 AT	7,84	120
12,5	Q 125 AT	8,27	120

Schlüter®-QUADEC-ATG


Alu. titane anodisé brillant

H (mm)	L = 2,50 m Art.-No.	€ / m	KV (u.)
4,5	Q 45 ATG	12,97	120
6	Q 60 ATG	13,62	120
8	Q 80 ATG	14,32	120
10	Q 100 ATG	15,21	120
11	Q 110 ATG	15,92	120
12,5	Q 125 ATG	16,92	120

Schlüter®-QUADEC-ATGB


Alu. titane anodisé brossé

H (mm)	L = 2,50 m Art.-No.	€ / m	KV (u.)
4,5	Q 45 ATGB	13,24	120
6	Q 60 ATGB	13,85	120
8	Q 80 ATGB	15,50	120
10	Q 100 ATGB	16,34	120
11	Q 110 ATGB	16,72	120
12,5	Q 125 ATGB	17,12	120

Schlüter®-QUADEC-AEX


Alu. naturel anodisé, finition tramée

H (mm)	L = 2,50 m Art.-No.	€ / m	KV (u.)
6	Q 60 AEX	13,85	120
8	Q 80 AEX	15,50	120
10	Q 100 AEX	16,34	120
11	Q 110 AEX	16,78	120
12,5	Q 125 AEX	17,12	120

Schlüter®-QUADEC-AMX


Alu. laiton anodisé, finition tramée

H (mm)	L = 2,50 m Art.-No.	€ / m	KV (u.)
6	Q 60 AMX	13,85	120
8	Q 80 AMX	15,50	120
10	Q 100 AMX	16,34	120
11	Q 110 AMX	16,78	120
12,5	Q 125 AMX	17,12	120

Schlüter®-QUADEC-ATX


Alu. titane anodisé, finition tramée

H (mm)	L = 2,50 m Art.-No.	€ / m	KV (u.)
6	Q 60 ATX	13,85	120
8	Q 80 ATX	15,50	120
10	Q 100 ATX	16,34	120
11	Q 110 ATX	16,78	120
12,5	Q 125 ATX	17,12	120

Schlüter®-QUADEC-AQGX


Alu. gris quartz anodisé, finition tramée

H (mm)	L = 2,50 m Art.-No.	€ / m	KV (u.)
6	Q 60 AQGX	13,85	120
8	Q 80 AQGX	15,50	120
10	Q 100 AQGX	16,34	120
11	Q 110 AQGX	16,78	120
12,5	Q 125 AQGX	17,12	120

Pour les longueurs de 3 m, compléter la référence avec « /300 » (ex. Q 60 AE/300).

ANGLE | RACCORD
Schlüter®-QUADEC-A/EV

 Angle sortant/reentrant 90°
aluminium massif

H (mm)	Art.-No.	€ / u.	P (u.)
4,5	EV / Q 45 ...*	7,34	50
6	EV / Q 60 ...**	7,50	50
8	EV / Q 80 ...**	7,82	50
10	EV / Q 100 ...**	8,13	50
11	EV / Q 110 ...**	8,33	50
12,5	EV / Q 125 ...**	8,47	50

Schlüter®-QUADEC-A/ED

 Angle sortant 90°
surface imitation aluminium

H (mm)	Art.-No.	€ / u.	P (u.)
4,5	ED / Q 45 ...*	4,03	50
6	ED / Q 60 ...*	4,03	50
8	ED / Q 80 ...*	4,03	50
10	ED / Q 100 ...*	4,03	50
11	ED / Q 110 ...*	4,03	50
12,5	ED / Q 125 ...*	4,03	50

Schlüter®-RONDEC-A/V

Pièce de liaison pour profilés en aluminium

H (mm)	Art.-No.	€ / u.	P (u.)
—	—	—	—
6	V / RO 60	1,10	50
8	V / RO 80	1,10	50
10	V / RO 100	1,10	50
11	V / RO 110	1,10	50
12,5	V / RO 125	1,10	50

Schlüter®-QUADEC-A/V

Pièce de liaison pour profilés en aluminium

H (mm)	Art.-No.	€ / u.	P (u.)
6	V / Q 60	1,10	50



Schlüter-RODEC-A/V convient indifféremment pour les profilés Schlüter-QUADEC et -RONDEC, pour les hauteurs de 8, 10, 11, et 12,5 mm. Pour la hauteur de 6 mm, choisir V/RO 60 pour Schlüter-RODEC et V/Q 60 pour Schlüter-QUADEC.

Art.-No. à compléter avec la finition (exemple ED / Q 45 ACGB)

* Finitions : ACG - ACGB - AE - AT - ATG - ATGB

** Finitions : ACG - ACGB - AE - AEX - AMX - AQGX - AT - ATG - ATGB - ATX

Vous trouverez un récapitulatif des finitions et des couleurs à partir de la page 293.



Profilés Schlüter

Black & White

Avec leur surface veloutée, les coloris blanc mat (MBW) et noir graphite mat (MGS) vous permettent de créer de toutes nouvelles ambiances. Grands classiques de la céramique ou surfaces tendance : à vous de choisir !



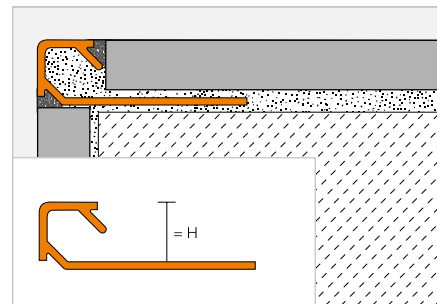
PROFILÉ DE FINITION

Schlüter®-QUADEC-AC



Schlüter-QUADEC-AC est un profilé de finition en aluminium coloré pour angles sortants et chants de revêtements carrelés. La surface visible du profilé forme un angle droit. Un espaceur permet de prédéfinir le joint entre carreau et profilé.

(Fiche produit 2.10)



Schlüter®-QUADEC-AC



Alu. coloré

H (mm)	L = 2,50 m Art.-No.	€ / m	KV (u.)
4,5	Q 45 ...*	6,74	120
6	Q 60 ...**	7,15	120
8	Q 80 ...**	8,00	120
10	Q 100 ...**	8,76	120
11	Q 110 ...**	9,80	120
12,5	Q 125 ...**	10,96	120

Pour les longueurs de 3 m, compléter la référence avec « /300 » (ex. Q 60 BW/300).

ANGLE | RACCORD

Schlüter®-QUADEC-AC/ED

Angle sortant 90°
en imitation sur support en métal coulé sous pression

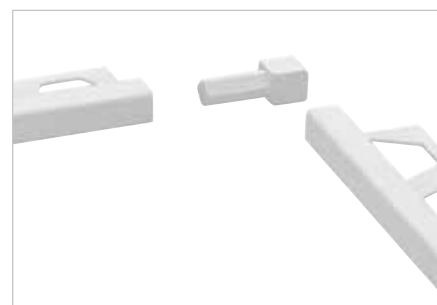
H (mm)	Art.-No.	€ / u.	P (u.)
4,5	ED / Q 45 ...*	4,03	50
6	ED / Q 60 ...**	4,03	50
8	ED / Q 80 ...**	4,03	50
10	ED / Q 100 ...**	4,03	50
11	ED / Q 110 ...**	4,03	50
12,5	ED / Q 125 ...**	4,03	50

Schlüter®-QUADEC-AC/EV



Angle sortant/reentrant 90°
aluminium massif pour QUADEC-MBW/-MGS

H (mm)	Art.-No.	€ / u.	P (u.)
4,5	EV / Q 45 ...***	10,80	50
6	EV / Q 60 ...***	10,80	50
8	EV / Q 80 ...***	10,80	50
10	EV / Q 100 ...***	10,80	50
11	EV / Q 110 ...***	10,80	50
12,5	EV / Q 125 ...***	10,80	50



Schlüter®-RONDEC-A/V

Pièce de liaison pour profilés en aluminium

H (mm)	Art.-No.	€ / u.	P (u.)
6	V / RO 60	1,10	50
8	V / RO 80	1,10	50
10	V / RO 100	1,10	50
11	V / RO 110	1,10	50
12,5	V / RO 125	1,10	50

Schlüter®-QUADEC-A/V

Pièce de liaison pour profilés en aluminium

H (mm)	Art.-No.	€ / u.	P (u.)
6	V / Q 60	1,10	50



Schlüter-RONDEC-A/V convient indifféremment pour les profilés Schlüter-QUADEC et -RONDEC, pour les hauteurs de 8, 10, 11, et 12,5 mm. Pour la hauteur de 6 mm, choisir V/RO 60 pour Schlüter-RONDEC et V/Q 60 pour Schlüter-QUADEC.

Art.-No. à compléter avec la couleur (exemple : EV / Q 45 MBW)



* Coloris : BW - G - MBW - MGS - PG - PW - QG - VG - W

** Coloris : BW - GS - MBW - MGS - PG - QG - VG - W

*** Coloris : MBW - MGS

Couleurs L = 3,00 m : BW - GS - MBW - MGS - PG - QG - VG - W

Vous trouverez un récapitulatif des finitions et des couleurs à partir de la page 293.



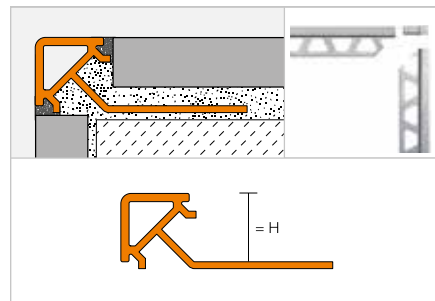
PROFILÉ DE FINITION

Schlüter®-QUADEC-PQ



Schlüter-QUADEC-PQ est un profilé de finition en PVC coloré pour angles sortants et pour chants de revêtements carrelés. La surface visible du profilé forme un angle droit. Un espaceur permet de prédéfinir le joint entre carreau et profilé.

(Fiche produit 2.10)



Schlüter®-QUADEC-PQ

PVC coloré

H (mm)	L = 2,50 m Art.-No.	€ / m	KV (u.)
6	PQ 60 ...*	2,65	240
8	PQ 80 ...*	2,78	240
10	PQ 100 ...*	2,96	240
11	PQ 110 ...*	3,11	240
12,5	PQ 125 ...*	3,19	240

ANGLE

Schlüter®-QUADEC-PQ/E

Angle sortant 90°

H (mm)	Art.-No.	€ / u.	P (u.)
6	E / PQ 60 ...*	1,66	50
8	E / PQ 80 ...*	1,66	50
10	E / PQ 100 ...*	1,66	50
11	E / PQ 110 ...*	1,66	50
12,5	E / PQ 125 ...*	1,66	50

Art.-No. à compléter avec la couleur (exemple : E / PQ 60 PG)



* Coloris : BH - BW - GS - PG - SP - W

Vous trouverez un récapitulatif des finitions et des couleurs à partir de la page 293.

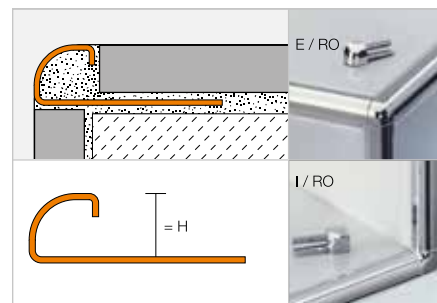
PROFILÉ DE FINITION

Schlüter®-RONDEC-MC



Schlüter-RODEC-MC est un profilé pour angles sortants, présentant un arrondi symétrique.

(Fiche produit 2.1)



Schlüter®-RONDEC-MC

Laiton chromé

H (mm)	L = 2,50 m Art.-No.	€ / m	KV (u.)
6	RO 60 MC	29,15	120
8	RO 80 MC	30,80	120
10	RO 100 MC	32,11	120
11	RO 110 MC	32,82	120
12,5	RO 125 MC	33,88	120

ANGLE

Schlüter®-RONDEC-MC/EV

Angle sortant 90°
(laiton chromé massif)

H (mm)	Art.-No.	€ / u.	P (u.)
6	EV / RO 60 MC	14,95	50
8	EV / RO 80 MC	15,62	50
10	EV / RO 100 MC	16,28	50
11	EV / RO 110 MC	16,48	50
12,5	EV / RO 125 MC	16,92	50

Schlüter®-RONDEC-MC/ED

Angle sortant 90°
en imitation sur support en métal coulé sous pression

H (mm)	Art.-No.	€ / u.	P (u.)
6	ED / RO 60 MC	3,25	50
8	ED / RO 80 MC	3,25	50
10	ED / RO 100 MC	3,25	50
11	ED / RO 110 MC	3,25	50
12,5	ED / RO 125 MC	3,25	50

Schlüter®-RONDEC-MC/IV

Angle rentrant 90°
(laiton chromé massif)

H (mm)	Art.-No.	€ / u.	P (u.)
6	IV / RO 60 MC	14,95	50
8	IV / RO 80 MC	15,62	50
10	IV / RO 100 MC	16,28	50
11	IV / RO 110 MC	16,48	50
12,5	IV / RO 125 MC	16,92	50

Schlüter®-RONDEC-MC/ID

Angle rentrant 90°
en imitation sur support en métal coulé sous pression

H (mm)	Art.-No.	€ / u.	P (u.)
6	ID / RO 60 MC	3,25	50
8	ID / RO 80 MC	3,25	50
10	ID / RO 100 MC	3,25	50
11	ID / RO 110 MC	3,25	50
12,5	ID / RO 125 MC	3,25	50

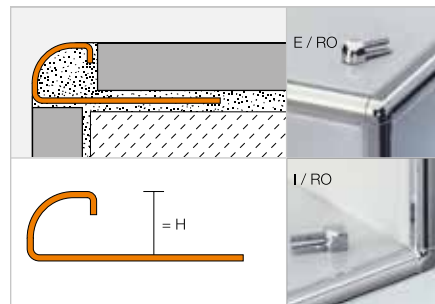


PROFILÉ DE FINITION

Schlüter®-RONDEC-E



Schlüter-RODEC-E est un profilé quart de rond en acier inoxydable V2A et V4A pour angles sortants, présentant un arrondi symétrique.
(Fiche produit 2.1)



Schlüter®-RONDEC-E



Acier inox. V2A

H (mm)	L = 2,50 m Art.-No.	€ / m	KV (u.)
4,5	RO 45 E	12,95	120
6	RO 60 E	13,22	120
7	RO 70 E	13,85	120
8	RO 80 E	14,26	120
9	RO 90 E	14,85	120
10	RO 100 E	15,26	120
11	RO 110 E	15,85	120
12,5	RO 125 E	16,19	120
15	RO 150 E	17,80	120
	L = 1,00 m		
6	RO 60 E/100	13,78	120
8	RO 80 E/100	14,80	120
10	RO 100 E/100	15,83	120
12,5	RO 125 E/100	16,77	120

Schlüter®-RONDEC-EB



Acier inox. V2A brossé

H (mm)	L = 2,50 m Art.-No.	€ / m	KV (u.)
—	—	—	—
6	RO 60 EB	17,36	120
7	RO 70 EB	18,12	120
8	RO 80 EB	18,70	120
9	RO 90 EB	19,39	120
10	RO 100 EB	20,05	120
11	RO 110 EB	20,62	120
12,5	RO 125 EB	21,28	120
15	RO 150 EB	23,40	120

Schlüter®-RONDEC-EP



Acier inox. V2A poli (poli à la main)

H (mm)	L = 2,50 m Art.-No.	€ / m	KV (u.)
—	—	—	—
6	RO 60 EP	25,45	120
—	—	—	—
8	RO 80 EP	26,44	120
—	—	—	—
10	RO 100 EP	27,51	120
—	—	—	—
12,5	RO 125 EP	28,56	120
15	RO 150 EP	29,88	120

Nota :

Pour des raisons techniques de production, les produits en longueur de 1,00 m ne peuvent être prédécoupés.

Pour les longueurs de 3 m, compléter la référence avec « /300 » (ex. RO 60 E/300).

Schlüter®-RONDEC-E V4A



Acier inox. V4A

H (mm)	L = 2,50 m Art.-No.	€ / m	KV (u.)
6	RO 60 E/V4A	14,93	120
8	RO 80 E/V4A	16,06	120
10	RO 100 E/V4A	17,19	120
12,5	RO 125 E/V4A	18,34	120

ANGLE | CAPUCHON DE FERMETURE | RACCORD

Schlüter®-RONDEC-E/EV

Angle sortant 90°
acier inox. V2A

H (mm)	Art.-No.	€ / u.	P (u.)
4,5	EV / RO 45 E	22,03	50
6	EV / RO 60 E	22,03	50
7	EV / RO 70 E	22,61	50
8	EV / RO 80 E	22,61	50
9	EV / RO 90 E	24,44	50
10	EV / RO 100 E	24,44	50
11	EV / RO 110 E	24,99	50
12,5	EV / RO 125 E	24,99	50
15	EV / RO 150 E	31,30	50

Schlüter®-RONDEC-E/ED

Angle sortant 90°
en imitation sur support en métal coulé sous pression

H (mm)	Art.-No.	€ / u.	P (u.)
4,5	ED / RO 45 E	3,30	50
6	ED / RO 60 E	3,30	50
7	ED / RO 70 E	3,30	50
8	ED / RO 80 E	3,30	50
9	ED / RO 90 E	3,30	50
10	ED / RO 100 E	3,30	50
11	ED / RO 110 E	3,30	50
12,5	ED / RO 125 E	3,30	50
15	ED / RO 150 E	3,30	50

Schlüter®-RONDEC-E/ID

Angle rentrant 90°
en imitation sur support en métal coulé sous pression

H (mm)	Art.-No.	€ / u.	P (u.)
4,5	ID / RO 45 E	3,30	50
6	ID / RO 60 E	3,30	50
7	ID / RO 70 E	3,30	50
8	ID / RO 80 E	3,30	50
9	ID / RO 90 E	3,30	50
10	ID / RO 100 E	3,30	50
11	ID / RO 110 E	3,30	50
12,5	ID / RO 125 E	3,30	50
15	ID / RO 150 E	3,30	50

Schlüter®-RONDEC-EB/EV

 Angle sortant 90°
acier inox. V2A brossé

H (mm)	Art.-No.	€ / u.	P (u.)
6	EV / RO 60 EB	25,62	50
7	EV / RO 70 EB	26,02	50
8	EV / RO 80 EB	26,26	50
9	EV / RO 90 EB	27,89	50
10	EV / RO 100 EB	28,37	50
11	EV / RO 110 EB	28,55	50
12,5	EV / RO 125 EB	28,99	50
15	EV / RO 150 EB	36,41	50

Schlüter®-RONDEC-EB/ED

 Angle sortant 90° en imitation sur support
en métal coulé sous pression brossé

H (mm)	Art.-No.	€ / u.	P (u.)
6	ED / RO 60 EB	5,19	50
7	ED / RO 70 EB	5,19	50
8	ED / RO 80 EB	5,19	50
9	ED / RO 90 EB	5,19	50
10	ED / RO 100 EB	5,19	50
11	ED / RO 110 EB	5,19	50
12,5	ED / RO 125 EB	5,19	50
15	ED / RO 150 EB	5,19	50

Schlüter®-RONDEC-EB/ID

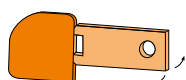
 Angle rentrant 90° en imitation sur support
en métal coulé sous pression brossé

H (mm)	Art.-No.	€ / u.	P (u.)
6	ID / RO 60 EB	5,19	50
7	ID / RO 70 EB	5,19	50
8	ID / RO 80 EB	5,19	50
9	ID / RO 90 EB	5,19	50
10	ID / RO 100 EB	5,19	50
11	ID / RO 110 EB	5,19	50
12,5	ID / RO 125 EB	5,19	50
15	ID / RO 150 EB	5,19	50

Schlüter®-RONDEC-EB/EK*

Capuchon de fermeture acier inox. V2A brossé

H (mm)	Art.-No.	€ / u.	P (u.)
4,5	EK / RO 45 EB	2,19	50
6	EK / RO 60 EB	2,19	50
7	EK / RO 70 EB	2,19	50
8	EK / RO 80 EB	2,19	50
9	EK / RO 90 EB	2,19	50
10	EK / RO 100 EB	2,19	50
11	EK / RO 110 EB	2,19	50
12,5	EK / RO 125 EB	2,19	50
15	EK / RO 150 EB	2,19	50



Schlüter-RONDEC-EB/EK

* Convient pour Schlüter-RONDEC-E et -EB.

Schlüter®-RONDEC-EP/EV

 Angle sortant 90°
en acier inox. V2A massif poli

H (mm)	Art.-No.	€ / u.	P (u.)
6	EV / RO 60 EP	25,94	50
8	EV / RO 80 EP	26,60	50
10	EV / RO 100 EP	28,73	50
12,5	EV / RO 125 EP	29,36	50
15	EV / RO 150 EP	36,86	50

Schlüter®-RONDEC-EP/ED

 Angle sortant 90° en imitation sur support
en métal coulé sous pression poli

H (mm)	Art.-No.	€ / u.	P (u.)
6	ED / RO 60 EP	3,34	50
8	ED / RO 80 EP	3,34	50
10	ED / RO 100 EP	3,34	50
12,5	ED / RO 125 EP	3,34	50
15	ED / RO 150 EP	3,34	50

Schlüter®-RONDEC-EP/ID

 Angle rentrant 90° en imitation sur support
en métal coulé sous pression poli

H (mm)	Art.-No.	€ / u.	P (u.)
6	ID / RO 60 EP	3,34	50
8	ID / RO 80 EP	3,34	50
10	ID / RO 100 EP	3,34	50
12,5	ID / RO 125 EP	3,34	50
15	ID / RO 150 EP	3,34	50

Schlüter®-RONDEC-E V4A/EV

 Angle sortant 90°
acier inox. V4A

H (mm)	Art.-No.	€ / u.	P (u.)
6	EV / RO 60 E/V4A	24,50	50
8	EV / RO 80 E/V4A	25,11	50
10	EV / RO 100 E/V4A	27,14	50
12,5	EV / RO 125 E/V4A	27,75	50

Schlüter®-RONDEC-E/V

Pièce de liaison pour profilés en inox

H (mm)	Art.-No.	€ / u.	P (u.)
6	V / RO 60 E	2,16	50
8	V / RO 80 E	2,16	50
10	V / RO 100 E	2,16	50
11	V / RO 110 E	2,16	50
12,5	V / RO 125 E	2,16	50



Convient pour Schlüter-QUADEC et -RONDEC.

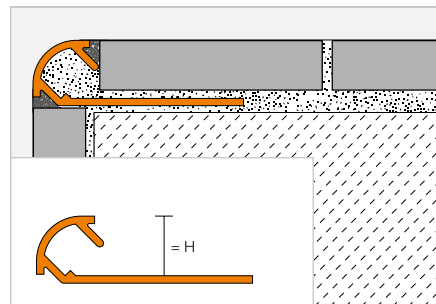


PROFILÉ DE FINITION

Schlüter®-RONDEC-TS



Schlüter-**RONDEC-TS** est un profilé en aluminium avec une finition structurée pour angles sortants de murs et chants de revêtements carrelés. Il présente un arrondi symétrique. Un espaceur permet de prédéfinir le joint entre carreau et profilé.
(Fiche produit 2.1)



Schlüter®-RONDEC-TSI



Alu. finition structurée ivoire

H (mm)		L = 2,50 m Art.-No.	€/ m	KV (u.)
6	☺	RO 60 TSI	13,08	120
8	☺	RO 80 TSI	13,93	120
10	☺	RO 100 TSI	14,79	120
11	☺	RO 110 TSI	15,36	120
12,5	☺	RO 125 TSI	16,21	120

Schlüter®-RONDEC-TSC



Alu. finition structurée sable

H (mm)		L = 2,50 m Art.-No.	€/ m	KV (u.)
6	☺	RO 60 TSC	13,08	120
8	☺	RO 80 TSC	13,93	120
10	☺	RO 100 TSC	14,79	120
11	☺	RO 110 TSC	15,36	120
12,5	☺	RO 125 TSC	16,21	120

Schlüter®-RONDEC-TSBG



Alu. finition structurée gris beige

H (mm)		L = 2,50 m Art.-No.	€/ m	KV (u.)
6	☺	RO 60 TSBG	13,08	120
8	☺	RO 80 TSBG	13,93	120
10	☺	RO 100 TSBG	14,79	120
11	☺	RO 110 TSBG	15,36	120
12,5	☺	RO 125 TSBG	16,21	120

Schlüter®-RONDEC-TSB



Alu. finition structurée beige

H (mm)		L = 2,50 m Art.-No.	€/ m	KV (u.)
6	☺	RO 60 TSB	13,08	120
8	☺	RO 80 TSB	13,93	120
10	☺	RO 100 TSB	14,79	120
11	☺	RO 110 TSB	15,36	120
12,5	☺	RO 125 TSB	16,21	120

Schlüter®-RONDEC-TSSG



Alu. finition structurée gris pierre

H (mm)		L = 2,50 m Art.-No.	€/ m	KV (u.)
6	☺	RO 60 TSSG	13,08	120
8	☺	RO 80 TSSG	13,93	120
10	☺	RO 100 TSSG	14,79	120
11	☺	RO 110 TSSG	15,36	120
12,5	☺	RO 125 TSSG	16,21	120

Schlüter®-RONDEC-TSG



Alu. finition structurée gris

H (mm)		L = 2,50 m Art.-No.	€/ m	KV (u.)
6	☺	RO 60 TSG	13,08	120
8	☺	RO 80 TSG	13,93	120
10	☺	RO 100 TSG	14,79	120
11	☺	RO 110 TSG	15,36	120
12,5	☺	RO 125 TSG	16,21	120

Schlüter®-RONDEC-TSOB



Alu. finition structurée bronze

H (mm)		L = 2,50 m Art.-No.	€/ m	KV (u.)
6	☺	RO 60 TSOB	13,08	120
8	☺	RO 80 TSOB	13,93	120
10	☺	RO 100 TSOB	14,79	120
11	☺	RO 110 TSOB	15,36	120
12,5	☺	RO 125 TSOB	16,21	120

Schlüter®-RONDEC-TSLA



Alu. finition structurée gris anthracite clair

H (mm)		L = 2,50 m Art.-No.	€/ m	KV (u.)
6	☺	RO 60 TSLA	13,08	120
8	☺	RO 80 TSLA	13,93	120
10	☺	RO 100 TSLA	14,79	120
11	☺	RO 110 TSLA	15,36	120
12,5	☺	RO 125 TSLA	16,21	120

Schlüter®-RONDEC-TSDA



Alu. finition structurée gris anthracite

H (mm)		L = 2,50 m Art.-No.	€/ m	KV (u.)
6	☺	RO 60 TSDA	13,08	120
8	☺	RO 80 TSDA	13,93	120
10	☺	RO 100 TSDA	14,79	120
11	☺	RO 110 TSDA	15,36	120
12,5	☺	RO 125 TSDA	16,21	120

Schlüter®-RONDEC-TSR



Alu. finition structurée brun rustique

H (mm)		L = 2,50 m Art.-No.	€/ m	KV (u.)
6	☺	RO 60 TSR	13,08	120
8	☺	RO 80 TSR	13,93	120
10	☺	RO 100 TSR	14,79	120
11	☺	RO 110 TSR	15,36	120
12,5	☺	RO 125 TSR	16,21	120

Schlüter®-RONDEC-MBW



Alu. coloré blanc mat

H (mm)		L = 2,50 m Art.-No.	€/ m	KV (u.)
6	☺	RO 60 MBW	6,85	120
8	☺	RO 80 MBW	7,61	120
10	☺	RO 100 MBW	8,36	120
11	☺	RO 110 MBW	9,43	120
12,5	☺	RO 125 MBW	10,44	120

Schlüter®-RONDEC-MGS

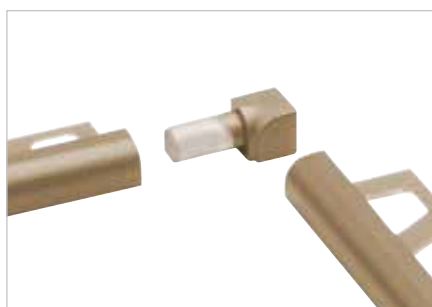


Alu. coloré noir graphite mat

H (mm)		L = 2,50 m Art.-No.	€/ m	KV (u.)
6	☺	RO 60 MGS	6,85	120
8	☺	RO 80 MGS	7,61	120
10	☺	RO 100 MGS	8,36	120
11	☺	RO 110 MGS	9,43	120
12,5	☺	RO 125 MGS	10,44	120

Pour les longueurs de 3 m, compléter la référence avec « /300 » (ex. RO 60 TSI/300).

ANGLE



Schlüter®-RONDEC-TS/EV

Angle sortant 90°
alu. finition structurée

H (mm)	Art.-No.	€ / u.	P (u.)
6	EV / RO 60 ...*	10,80	50
8	EV / RO 80 ...*	10,80	50
10	EV / RO 100 ...*	10,80	50
11	EV / RO 110 ...*	10,80	50
12,5	EV / RO 125 ...*	10,80	50

Schlüter®-RONDEC-TS/IV

Angle rentrant 90°
alu. finition structurée

H (mm)	Art.-No.	€ / u.	P (u.)
6	IV / RO 60 ...*	10,80	50
8	IV / RO 80 ...*	10,80	50
10	IV / RO 100 ...*	10,80	50
11	IV / RO 110 ...*	10,80	50
12,5	IV / RO 125 ...*	10,80	50

Schlüter®-RONDEC-AC/ED

Angle sortant 90° pour RONDEC-MBW/-MGS en
imitation sur support : métal coulé sous pression

H (mm)	Art.-No.	€ / u.	P (u.)
6	ED / RO 60 ...**	3,25	50
8	ED / RO 80 ...**	3,25	50
10	ED / RO 100 ...**	3,25	50
11	ED / RO 110 ...**	3,25	50
12,5	ED / RO 125 ...**	3,25	50

Schlüter®-RONDEC-AC/ID

Angle rentrant 90° pour RONDEC-MBW/-MGS en
imitation sur support : métal coulé sous pression

H (mm)	Art.-No.	€ / u.	P (u.)
6	ID / RO 60 ...**	3,25	50
8	ID / RO 80 ...**	3,25	50
10	ID / RO 100 ...**	3,25	50
11	ID / RO 110 ...**	3,25	50
12,5	ID / RO 125 ...**	3,25	50

Art.-No. à compléter avec la finition/couleur (exemple ID / RO 60 MGS)

* Finitions/couleurs : TSB - TSBG - TSC - TSDA - TSG - TSI - TSLA - TSOB - TSR - TSSG

** Finitions/couleurs : MBW - MGS

FINITIONS / COULEURS DISPONIBLES



Vous trouverez un récapitulatif des finitions et des couleurs à partir de la page 293.

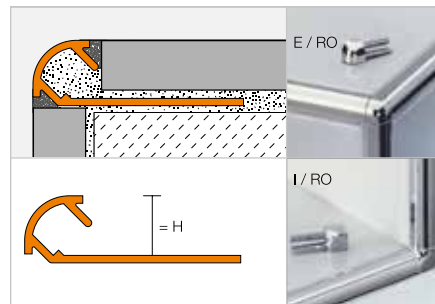


PROFILÉ DE FINITION

Schlüter®-RONDEC-A



Schlüter-RONDEC-A est un profilé quart de rond en aluminium anodisé pour angles sortants, présentant un arrondi symétrique. Un espaceur permet de prédéfinir le joint entre carreau et profilé.
(Fiche produit 2.1)



Schlüter®-RONDEC-AE



Alu. naturel anodisé mat

H (mm)	L = 2,50 m Art.-No.	€/m	KV (u.)
6	RO 60 AE	5,73	120
8	RO 80 AE	6,20	120
9	RO 90 AE	6,48	120
10	RO 100 AE	6,77	120
11	RO 110 AE	6,98	120
12,5	RO 125 AE	7,24	120
15	RO 150 AE	7,68	120

Schlüter®-RONDEC-ACG



Alu. chromé anodisé brillant

H (mm)	L = 2,50 m Art.-No.	€/m	KV (u.)
6	RO 60 ACG	12,99	120
8	RO 80 ACG	13,64	120
9	RO 90 ACG	14,04	120
10	RO 100 ACG	14,46	120
11	RO 110 ACG	15,29	120
12,5	RO 125 ACG	16,11	120
15	RO 150 ACG	16,78	120

Schlüter®-RONDEC-ACGB



Alu. chromé anodisé brossé

H (mm)	L = 2,50 m Art.-No.	€/m	KV (u.)
6	RO 60 ACGB	13,18	120
8	RO 80 ACGB	14,79	120
9	RO 90 ACGB	15,18	120
10	RO 100 ACGB	15,56	120
11	RO 110 ACGB	15,91	120
12,5	RO 125 ACGB	16,31	120
15	RO 150 ACGB	17,03	120

Schlüter®-RONDEC-AM



Alu. laiton anodisé mat

H (mm)	L = 2,50 m Art.-No.	€/m	KV (u.)
6	RO 60 AM	6,02	120
8	RO 80 AM	6,58	120
10	RO 100 AM	7,11	120
12,5	RO 125 AM	7,87	120

Schlüter®-RONDEC-AMG



Alu. laiton anodisé brillant

H (mm)	L = 2,50 m Art.-No.	€/m	KV (u.)
6	RO 60 AMG	12,99	120
8	RO 80 AMG	13,64	120
10	RO 100 AMG	14,46	120
12,5	RO 125 AMG	16,11	120

Schlüter®-RONDEC-AMGB



Alu. laiton anodisé brossé

H (mm)	L = 2,50 m Art.-No.	€/m	KV (u.)
6	RO 60 AMGB	13,18	120
8	RO 80 AMGB	14,79	120
10	RO 100 AMGB	15,56	120
12,5	RO 125 AMGB	16,31	120

Schlüter®-RONDEC-AK



Alu. cuivre anodisé mat

H (mm)	L = 2,50 m Art.-No.	€/m	KV (u.)
6	RO 60 AK	6,02	120
8	RO 80 AK	6,58	120
10	RO 100 AK	7,11	120
12,5	RO 125 AK	7,87	120

Schlüter®-RONDEC-AKG



Alu. cuivre anodisé brillant

H (mm)	L = 2,50 m Art.-No.	€/m	KV (u.)
6	RO 60 AKG	12,99	120
8	RO 80 AKG	13,64	120
10	RO 100 AKG	14,46	120
12,5	RO 125 AKG	16,11	120

Schlüter®-RONDEC-AKGB



Alu. cuivre anodisé brossé

H (mm)	L = 2,50 m Art.-No.	€/m	KV (u.)
6	RO 60 AKGB	13,18	120
8	RO 80 AKGB	14,79	120
10	RO 100 AKGB	15,56	120
12,5	RO 125 AKGB	16,31	120

Schlüter®-RONDEC-AT



Alu. titane anodisé mat

H (mm)	L = 2,50 m Art.-No.	€/m	KV (u.)
6	RO 60 AT	6,02	120
8	RO 80 AT	6,58	120
10	RO 100 AT	7,11	120
12,5	RO 125 AT	7,87	120

Schlüter®-RONDEC-ATG



Alu. titane anodisé brillant

H (mm)	L = 2,50 m Art.-No.	€/m	KV (u.)
6	RO 60 ATG	12,99	120
8	RO 80 ATG	13,64	120
10	RO 100 ATG	14,46	120
12,5	RO 125 ATG	16,11	120

Schlüter®-RONDEC-ATGB



Alu. titane anodisé brossé

H (mm)	L = 2,50 m Art.-No.	€/m	KV (u.)
6	RO 60 ATGB	13,18	120
8	RO 80 ATGB	14,79	120
10	RO 100 ATGB	15,56	120
12,5	RO 125 ATGB	16,31	120

Nota :

Les profilés Schlüter-RONDEC-A en 15 mm ne peuvent pas être cintrés.
Pour les longueurs de 3 m, compléter la référence avec « /300 » (ex. RO 60 AE/300).

Schlüter®-RONDEC-AGSB


Alu. noir graphite anodisé brossé

H (mm)	L = 2,50 m Art.-No.	€ / m	KV (u.)
6	RO 60 AGSB	13,18	120
8	RO 80 AGSB	14,79	120
10	RO 100 AGSB	15,56	120
12,5	RO 125 AGSB	16,31	120


ANGLE | RACCORD
Schlüter®-RONDEC-A/EV

 Angle sortant 90°
(alu. massif)

H (mm)	Art.-No.	€ / u.	P (u.)
6	EV / RO 60 ...*	7,50	50
8	EV / RO 80 ...*	7,82	50
9	EV / RO 90 ...**	7,98	50
10	EV / RO 100 ...*	8,13	50
11	EV / RO 110 ...**	8,26	50
12,5	EV / RO 125 ...*	8,47	50
15	EV / RO 150 ...**	8,75	50

Schlüter®-RONDEC-A/ED

 Angle sortant 90°
en imitation sur support en métal coulé sous pression

H (mm)	Art.-No.	€ / u.	P (u.)
6	ED / RO 60 ...***	3,25	50
8	ED / RO 80 ...***	3,25	50
9	ED / RO 90 ...**	3,25	50
10	ED / RO 100 ...***	3,25	50
11	ED / RO 110 ...**	3,25	50
12,5	ED / RO 125 ...***	3,25	50
15	ED / RO 150 ...**	3,25	50


Schlüter®-RONDEC-A/IV

 Angle rentrant 90°
(alu. massif)

H (mm)	Art.-No.	€ / u.	P (u.)
6	IV / RO 60 ...*	7,50	50
8	IV / RO 80 ...*	7,82	50
9	IV / RO 90 ...**	7,98	50
10	IV / RO 100 ...*	8,13	50
11	IV / RO 110 ...**	8,26	50
12,5	IV / RO 125 ...*	8,47	50
15	IV / RO 150 ...**	8,75	50

Schlüter®-RONDEC-A/ID

 Angle rentrant 90°
en imitation sur support en métal coulé sous pression

H (mm)	Art.-No.	€ / u.	P (u.)
6	ID / RO 60 ...***	3,25	50
8	ID / RO 80 ...***	3,25	50
9	ID / RO 90 ...**	3,25	50
10	ID / RO 100 ...***	3,25	50
11	ID / RO 110 ...**	3,25	50
12,5	ID / RO 125 ...***	3,25	50
15	ID / RO 150 ...**	3,25	50


Schlüter®-RONDEC-A/V

Pièce de liaison pour profilés en aluminium

H (mm)	Art.-No.	€ / u.	P (u.)
6	V / RO 60	1,10	50
8	V / RO 80	1,10	50
10	V / RO 100	1,10	50
11	V / RO 110	1,10	50
12,5	V / RO 125	1,10	50



Schlüter-RODEC-A/V convient indifféremment pour les profilés Schlüter-QUADEC et -RONDEC, pour les hauteurs de 8, 10, 11, et 12,5 mm. Pour la hauteur de 6 mm, choisir V/RO 60 pour Schlüter-RODEC et V/Q 60 pour Schlüter-QUADEC.


Art.-No. à compléter avec la finition (exemple EV / RO 60 ACGB)

* Finitions : ACG - ACGB - AE - AGSB - AK - AKG - AKGB - AM - AMG - AMGB - AT - ATG - ATGB

** Finitions : ACG - ACGB - AE

*** Finitions : ACG - ACGB - AE - AT - ATG - ATGB

Vous trouverez un récapitulatif des finitions et des couleurs à partir de la page 293.



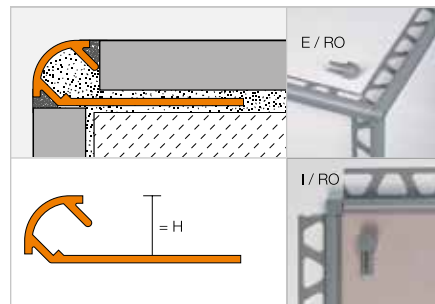
PROFILÉ DE FINITION

Schlüter®-RONDEC-AC



Schlüter-RODEC-AC est un profilé quart de rond en aluminium coloré pour angles muraux sortants et bordures de revêtements, présentant un arrondi symétrique. Un espaceur permet de prédéfinir le joint entre carreau et profilé.

(Fiche produit 2.1)



Schlüter®-RONDEC-AC



Alu. coloré

H (mm)		L = 2,50 m Art.-No.	€ / m	KV (u.)
6	☺	RO 60 ...*	6,85	120
8	☺	RO 80 ...*	7,61	120
10	☺	RO 100 ...*	8,36	120
11	☺	RO 110 ...**	9,43	120
12,5	☺	RO 125 ...*	10,44	120

Pour les longueurs de 3 m, compléter la référence avec « /300 » (ex. RO 60 BW/300).

ANGLE | RACCORD

Schlüter®-RONDEC-AC/ED

Angle sortant 90°
en imitation sur support en métal coulé sous pression

H (mm)	Art.-No.	€ / u.	P (u.)
6	ED / RO 60 ...*	3,25	50
8	ED / RO 80 ...*	3,25	50
10	ED / RO 100 ...*	3,25	50
11	ED / RO 110 ...**	3,25	50
12,5	ED / RO 125 ...*	3,25	50

Schlüter®-RONDEC-AC/ID

Angle rentrant 90°
en imitation sur support en métal coulé sous pression

H (mm)	Art.-No.	€ / u.	P (u.)
6	ID / RO 60 ...*	3,25	50
8	ID / RO 80 ...*	3,25	50
10	ID / RO 100 ...*	3,25	50
11	ID / RO 110 ...**	3,25	50
12,5	ID / RO 125 ...*	3,25	50

Schlüter®-RONDEC-A/V

Pièce de liaison pour profilés en aluminium

H (mm)	Art.-No.	€ / u.	P (u.)
6	V / RO 60	1,10	50
8	V / RO 80	1,10	50
10	V / RO 100	1,10	50
11	V / RO 110	1,10	50
12,5	V / RO 125	1,10	50



Schlüter-RODEC-A/V convient indifféremment pour les profilés Schlüter-QUADEC et -RONDEC, pour les hauteurs de 8, 10, 11, et 12,5 mm. Pour la hauteur de 6 mm, choisir V/RO 60 pour Schlüter-RODEC et V/Q 60 pour Schlüter-QUADEC.

Art.-No. à compléter avec la couleur (exemple : ID / RO 60 GM)



* Couleurs L = 2,50 m : BH - BW - G - GM - GS - HB - HG - MBW - MGS - PG - W

** Couleurs L = 2,50 m : BH - BW - MBW - MGS - PG - W

Couleurs L = 3,00 m : BW - MBW - MGS - PG - W

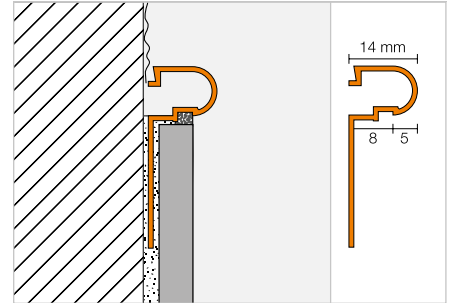
Vous trouverez un récapitulatif des finitions et des couleurs à partir de la page 293.

PROFILÉ DE FINITION

Schlüter®-RONDEC-DB



Schlüter-RONDEC-DB est un profilé pour listels et plinthes, mis en valeur grâce à un arrondi fortement saillant.
(Fiche produit 2.5)



Schlüter®-RONDEC-DB-A

Aluminium

L = 2,50 m Art.-No.	€/ m	KV (u.)
DB 14 A	7,61	120

Schlüter®-RONDEC-DB-AE

Alu. naturel anodisé mat

L = 2,50 m Art.-No.	€/ m	KV (u.)
DB 14 AE	10,24	120

Schlüter®-RONDEC-DB-AM

Alu. laiton anodisé mat

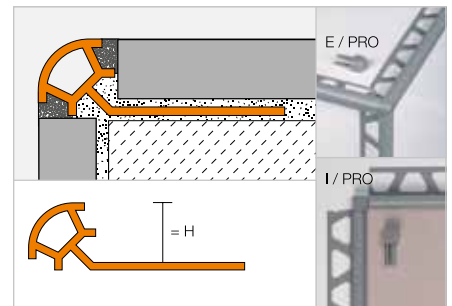
L = 2,50 m Art.-No.	€/ m	KV (u.)
DB 14 AM	10,24	120

PROFILÉ DE FINITION | ANGLE

Schlüter®-RONDEC-PRO



Schlüter-RONDEC-PRO est un profilé décoratif en PVC pour les angles sortants de revêtements céramiques muraux. Il présente un arrondi symétrique destiné à protéger les arêtes du carrelage des agressions mécaniques. Un espaceur permet de prédéfinir le joint entre carreau et profilé.
(Fiche produit 2.1)



Schlüter®-RONDEC-PRO

PVC coloré

H (mm)	L = 2,50 m Art.-No.	€/ m	KV (u.)
6	PRO 60 ...*	2,70	240
8	PRO 80 ...*	2,83	240
10	PRO 100 ...*	3,05	240
11	PRO 110 ...**	3,16	240
12,5	PRO 125 ...**	3,26	240

Schlüter®-RONDEC-PRO/E

Angle sortant 90°

H (mm)	Art.-No.	€/ u.	P (u.)
6	E / PRO 60 ...*	1,71	50
8	E / PRO 80 ...*	1,71	50
10	E / PRO 100 ...*	1,71	50
11	E / PRO 110 ...**	1,71	50
12,5	E / PRO 125 ...**	1,71	50

Schlüter®-RONDEC-PRO/I

Angle rentrant 90°

H (mm)	Art.-No.	€/ u.	P (u.)
6	I / PRO 60 ...*	1,71	50
8	I / PRO 80 ...*	1,71	50
10	I / PRO 100 ...*	1,71	50
11	I / PRO 110 ...**	1,71	50
12,5	I / PRO 125 ...**	1,71	50

Pour les longueurs de 3 m, compléter la référence avec « /300 » (ex. PRO 60 BW/300).

Art.-No. à compléter avec la couleur (exemple : I / PRO 60 CA)



* Couleurs L = 2,50 m : AP - BH - BW - CA - G - GS - HB - HG - NB - PG - SP - W

** Couleurs L = 2,50 m : BW - GS - PG - SP - W

Couleurs L = 3,00 m : BW - PG - W

Vous trouverez un récapitulatif des finitions et des couleurs à partir de la page 293.



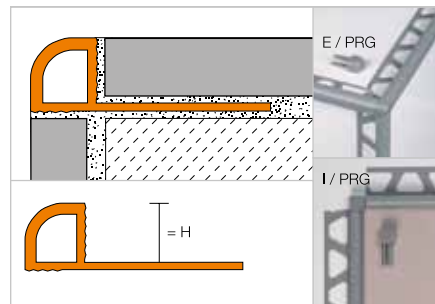
PROFILÉ DE FINITION | ANGLE

Schlüter®-RONDEC-PRG



Schlüter-RONDEC-PRG est un profilé décoratif en PVC pour les angles sortants de revêtements céramiques muraux. Il présente un arrondi symétrique destiné à protéger les arêtes du carrelage des agressions mécaniques.

(Fiche produit 2.1)



Schlüter®-RONDEC-PRG

PVC coloré

H (mm)	L = 2,50 m Art.-No.	€ / m	KV (u.)
6	PRG 60 ...*	2,70	240
8	PRG 80 ...*	2,83	240
10	PRG 100 ...*	3,05	120
12,5	PRG 125 ...*	3,26	120

Schlüter®-RONDEC-PRG/E

Angle sortant 90°

H (mm)	Art.-No.	€ / u.	P (u.)
6	E / PRG 60 ...*	1,71	50
8	E / PRG 80 ...*	1,71	50
10	E / PRG 100 ...*	1,71	50
12,5	E / PRG 125 ...*	1,71	50

Schlüter®-RONDEC-PRG/I

Angle rentrant 90°

H (mm)	Art.-No.	€ / u.	P (u.)
6	I / PRG 60 ...*	1,71	50
8	I / PRG 80 ...*	1,71	50
10	I / PRG 100 ...*	1,71	50
12,5	I / PRG 125 ...*	1,71	50

Pour les longueurs de 3 m, compléter la référence avec « /300 » (ex. PRG 60 BW/300).

Art.-No. à compléter avec la couleur (exemple : I / PRG 60 BW)

BW PG W

* Coloris : BW - PG - W

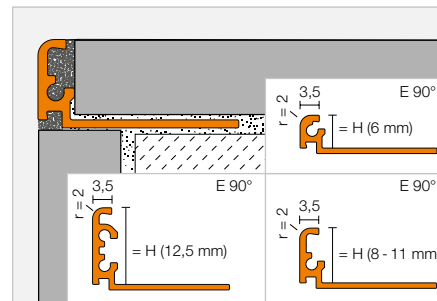
Vous trouverez un récapitulatif des finitions et des couleurs à partir de la page 293.

PROFILÉ DE FINITION

Schlüter®-JOLLY



Schlüter-JOLLY est un profilé décoratif en métal pour angles sortants, pour plinthes et bordures. Il protège les revêtements des agressions mécaniques en formant un angle à 90°. Les espaceurs permettent de prédéfinir les joints entre carreaux et profilé. La forme géométrique du profilé facilite l'ancrage du mortier-joint. Les angles avec raccords garantissent une finition propre et décorative. (Fiche produit 2.3)



Schlüter®-JOLLY-MC



Laiton chromé

H (mm)	L = 2,50 m Art.-No.	€ / m	KV (u.)
6	J 60 MC	26,46	120
8	J 80 MC	27,00	120
10	J 100 MC	27,54	120
11	J 110 MC	28,08	120
12,5	J 125 MC	28,62	120

Schlüter®-JOLLY-AE



Alu. naturel anodisé mat

H (mm)	L = 2,50 m Art.-No.	€ / m	KV (u.)
6	J 60 AE	5,13	120
8	J 80 AE	5,35	120
10	J 100 AE	5,67	120
11	J 110 AE	5,94	120
12,5	J 125 AE	6,32	120

ANGLE

Schlüter®-JOLLY-MC/EV


 Angle sortant 90°
(laiton chromé massif)

H (mm)	Art.-No.	€ / u.	P (u.)
6	EV / J 60 MC	16,74	50
8	EV / J 80 MC	16,74	50
10	EV / J 100 MC	16,74	50
11	EV / J 110 MC	16,74	50
12,5	EV / J 125 MC	16,74	50

Schlüter®-JOLLY-AE/EV


 Angle sortant 90°
alu. naturel anodisé mat

H (mm)	Art.-No.	€ / u.	P (u.)
6	EV / J 60 AE	13,50	50
8	EV / J 80 AE	13,50	50
10	EV / J 100 AE	13,50	50
11	EV / J 110 AE	13,50	50
12,5	EV / J 125 AE	13,50	50





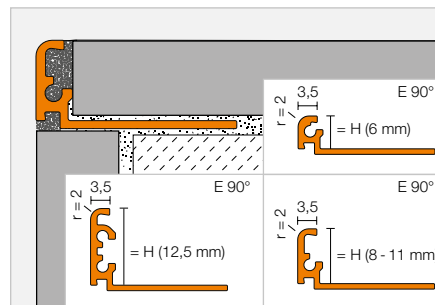
PROFILÉ DE FINITION

Schlüter®-JOLLY-TS



Schlüter-JOLLY-TS est un profilé décoratif pour angles sortants de murs, plinthes et bordures. Il protège les revêtements des agressions mécaniques en formant un angle à 90°. Il est en aluminium recouvert d'une finition structurée spéciale. Les espaceurs permettent de prédéfinir les joints entre carreaux et profilé. La forme géométrique du profilé facilite l'ancrage du mortier-joint. Les angles avec raccords garantissent une finition propre et décorative.

(Fiche produit 2.3)



Schlüter®-JOLLY-TSI



Alu. finition structurée ivoire

H (mm)	L = 2,50 m Art.-No.	€ / m	KV (u.)
6	J 60 TSI	12,15	120
8	J 80 TSI	12,96	120
10	J 100 TSI	13,23	120
11	J 110 TSI	13,50	120
12,5	J 125 TSI	14,04	120

Schlüter®-JOLLY-TSC



Alu. finition structurée sable

H (mm)	L = 2,50 m Art.-No.	€ / m	KV (u.)
6	J 60 TSC	12,15	120
8	J 80 TSC	12,96	120
10	J 100 TSC	13,23	120
11	J 110 TSC	13,50	120
12,5	J 125 TSC	14,04	120

Schlüter®-JOLLY-TSBG



Alu. finition structurée gris beige

H (mm)	L = 2,50 m Art.-No.	€ / m	KV (u.)
6	J 60 TSBG	12,15	120
8	J 80 TSBG	12,96	120
10	J 100 TSBG	13,23	120
11	J 110 TSBG	13,50	120
12,5	J 125 TSBG	14,04	120

Schlüter®-JOLLY-TSSG



Alu. finition structurée gris pierre

H (mm)	L = 2,50 m Art.-No.	€ / m	KV (u.)
6	J 60 TSSG	12,15	120
8	J 80 TSSG	12,96	120
10	J 100 TSSG	13,23	120
11	J 110 TSSG	13,50	120
12,5	J 125 TSSG	14,04	120

Schlüter®-JOLLY-TSDA



Alu. finition structurée gris anthracite

H (mm)	L = 2,50 m Art.-No.	€ / m	KV (u.)
6	J 60 TSDA	12,15	120
8	J 80 TSDA	12,96	120
10	J 100 TSDA	13,23	120
11	J 110 TSDA	13,50	120
12,5	J 125 TSDA	14,04	120

ANGLE

Schlüter®-JOLLY-TS/EV



Angle sortant 90°
alu. finition structurée

H (mm)	Art.-No.	€ / u.	P (u.)
6	EV / J 60 ...*	13,50	50
8	EV / J 80 ...*	13,50	50
10	EV / J 100 ...*	13,50	50
11	EV / J 110 ...*	13,50	50
12,5	EV / J 125 ...*	13,50	50



Art.-No. à compléter avec la finition/couleur
(exemple EV / J 60 TSBG)

* Finitions/couleurs :

TSBG - TSC - TSDA - TSI - TSSG

FINITIONS / COULEURS DISPONIBLES



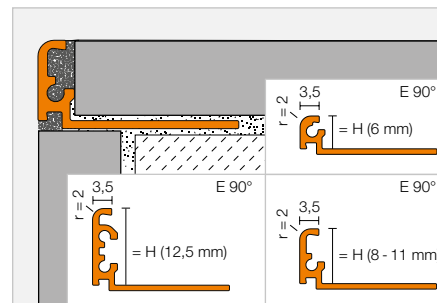
Vous trouverez un récapitulatif des finitions et des couleurs à partir de la page 293.

PROFILÉ DE FINITION | ANGLE

Schlüter®-JOLLY-AC



Schlüter-JOLLY-AC est un profilé décoratif en aluminium coloré pour angles sortants, plinthes et bordures. Il protège les revêtements des agressions mécaniques en formant un angle à 90°. Les espaceurs permettent de prédéfinir les joints entre carreaux et profilé. La forme géométrique du profilé facilite l'ancrage du mortier-joint. Les angles avec raccords garantissent une finition propre et décorative. (Fiche produit 2.3)



Schlüter®-JOLLY-AC



Alu. coloré

H (mm)	L = 2,50 m Art.-No.	€ / m	KV (u.)
6	J 60 ...*	6,32	120
8	J 80 ...*	6,70	120
10	J 100 ...*	7,24	120
11	J 110 ...*	7,51	120
12,5	J 125 ...*	7,83	120

Schlüter®-JOLLY-AC/EV


 Angle sortant 90°
alu. coloré

H (mm)	Art.-No.	€ / u.	P (u.)
6	EV / J 60 ...*	12,96	50
8	EV / J 80 ...*	12,96	50
10	EV / J 100 ...*	12,96	50
11	EV / J 110 ...*	12,96	50
12,5	EV / J 125 ...*	12,96	50



Art.-No. à compléter avec la couleur (exemple : EV / J 60 MBW)



* Coloris : BW - GS - MBW - MGS - W

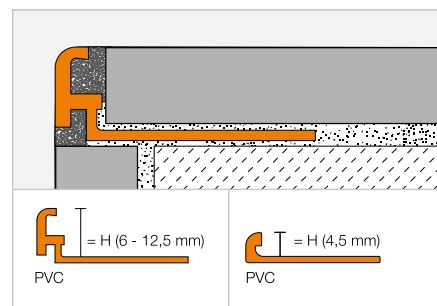
Vous trouverez un récapitulatif des finitions et des couleurs à partir de la page 293.

PROFILÉ DE FINITION

Schlüter®-JOLLY-P



Schlüter-JOLLY-P est un profilé décoratif en PVC coloré pour angles sortants, pour plinthes et bordures. Il protège les revêtements des agressions mécaniques. Un espaceur permet de prédéfinir le joint entre carreau et profilé. Les profilés Schlüter-JOLLY-P en 4,5 mm ne possèdent pas d'espaceur. (Fiche produit 2.3)

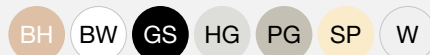


Schlüter®-JOLLY-P

PVC coloré

H (mm)	L = 2,50 m Art.-No.	€ / m	KV (u.)
4,5	...* 45	2,51	240
6	...** 60	2,51	240
8	...** 80	2,70	240
10	...** 100	2,83	240
11	...** 110	3,11	240
12,5	...*** 125	3,51	240

Art.-No. à compléter avec la couleur (exemple : W 45)



* Couleurs L = 2,50 m : BW - HG - W

** Couleurs L = 2,50 m : BH - BW - GS - HG - PG - SP - W

*** Couleurs L = 2,50 m : BW - HG - PG - W

Couleurs L = 3,00 m : BW - PG - W

Vous trouverez un récapitulatif des finitions et des couleurs à partir de la page 293.

Pour les longueurs de 3 m, compléter la référence avec « /300 » (ex. BW 60/300).

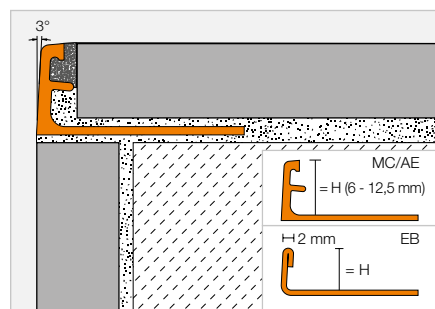


PROFILÉ DE FINITION

Schlüter®-SCHIENE



Schlüter-SCHIENE est un profilé décoratif en métal, avec un angle à 87°, pour angles sortants, pour plinthes et bordures. Il protège les revêtements des agressions mécaniques. Un espaceur permet de prédéfinir le joint entre carreau et profilé. (Fiche produit 1.1)



Schlüter®-SCHIENE-MC



Laiton chromé

H (mm)	L = 2,50 m Art.-No.	€/m	KV (u.)
6	MC 60	26,65	120
8	MC 80	27,62	120
10	MC 100	27,94	120
11	MC 110	28,14	120
12,5	MC 125	28,37	120

Schlüter®-SCHIENE-EB



Acier inox. V2A brossé

H (mm)	L = 2,50 m Art.-No.	€/m	KV (u.)
6	E 60 EB	15,60	120
8	E 80 EB	15,94	120
10	E 100 EB	16,49	120
11	E 110 EB	17,34	120
12,5	E 125 EB	17,54	120

Schlüter®-SCHIENE-AE



Alu. naturel anodisé mat

H (mm)	L = 2,50 m Art.-No.	€/m	KV (u.)
6	AE 60	5,15	120
8	AE 80	5,38	120
10	AE 100	5,73	120
11	AE 110	6,10	120
12,5	AE 125	6,34	120

Pour les longueurs de 3 m, compléter la référence avec « /300 » (ex. E 60 EB/300).

Vous trouverez toutes les hauteurs des profilés Schlüter-SCHIENE-EB et -AE à partir de la page 16.

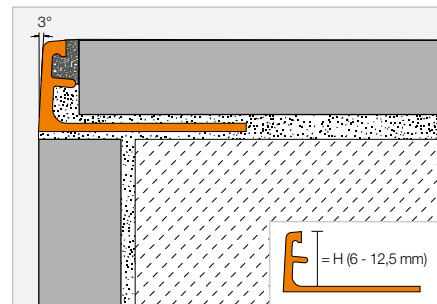
PROFILÉ DE FINITION

Schlüter®-SCHIENE-TS



Schlüter-SCHIENE-TS est un profilé décoratif en aluminium, avec un angle à 87°, avec une finition structurée pour angles sortants de murs, plinthes et bordures. Il protège les revêtements des agressions mécaniques. Un espaceur permet de prédéfinir le joint entre carreau et profilé.

(Fiche produit 1.1)



Schlüter®-SCHIENE-TSI



Alu. finition structurée ivoire

H (mm)	L = 2,50 m Art.-No.	€ / m	KV (u.)
6	A 60 TSI	12,51	120
8	A 80 TSI	13,08	120
10	A 100 TSI	13,64	120
11	A 110 TSI	13,93	120
12,5	A 125 TSI	14,21	120

Schlüter®-SCHIENE-TSC



Alu. finition structurée sable

H (mm)	L = 2,50 m Art.-No.	€ / m	KV (u.)
6	A 60 TSC	12,51	120
8	A 80 TSC	13,08	120
10	A 100 TSC	13,64	120
11	A 110 TSC	13,93	120
12,5	A 125 TSC	14,21	120

Schlüter®-SCHIENE-TSBG



Alu. finition structurée gris beige

H (mm)	L = 2,50 m Art.-No.	€ / m	KV (u.)
6	A 60 TSBG	12,51	120
8	A 80 TSBG	13,08	120
10	A 100 TSBG	13,64	120
11	A 110 TSBG	13,93	120
12,5	A 125 TSBG	14,21	120

Schlüter®-SCHIENE-TSB



Alu. finition structurée beige

H (mm)	L = 2,50 m Art.-No.	€ / m	KV (u.)
6	A 60 TSB	12,51	120
8	A 80 TSB	13,08	120
10	A 100 TSB	13,64	120
11	A 110 TSB	13,93	120
12,5	A 125 TSB	14,21	120

Schlüter®-SCHIENE-TSSG



Alu. finition structurée gris pierre

H (mm)	L = 2,50 m Art.-No.	€ / m	KV (u.)
6	A 60 TSSG	12,51	120
8	A 80 TSSG	13,08	120
10	A 100 TSSG	13,64	120
11	A 110 TSSG	13,93	120
12,5	A 125 TSSG	14,21	120

Schlüter®-SCHIENE-TSG



Alu. finition structurée gris

H (mm)	L = 2,50 m Art.-No.	€ / m	KV (u.)
6	A 60 TSG	12,51	120
8	A 80 TSG	13,08	120
10	A 100 TSG	13,64	120
11	A 110 TSG	13,93	120
12,5	A 125 TSG	14,21	120

Schlüter®-SCHIENE-TSOB



Alu. finition structurée bronze

H (mm)	L = 2,50 m Art.-No.	€ / m	KV (u.)
6	A 60 TSOB	12,51	120
8	A 80 TSOB	13,08	120
10	A 100 TSOB	13,64	120
11	A 110 TSOB	13,93	120
12,5	A 125 TSOB	14,21	120

Schlüter®-SCHIENE-TSLA



Alu. finition structurée gris anthracite clair

H (mm)	L = 2,50 m Art.-No.	€ / m	KV (u.)
6	A 60 TSLA	12,51	120
8	A 80 TSLA	13,08	120
10	A 100 TSLA	13,64	120
11	A 110 TSLA	13,93	120
12,5	A 125 TSLA	14,21	120

Schlüter®-SCHIENE-TSDA



Alu. finition structurée gris anthracite

H (mm)	L = 2,50 m Art.-No.	€ / m	KV (u.)
6	A 60 TSDA	12,51	120
8	A 80 TSDA	13,08	120
10	A 100 TSDA	13,64	120
11	A 110 TSDA	13,93	120
12,5	A 125 TSDA	14,21	120

Schlüter®-SCHIENE-TSR



Alu. finition structurée brun rustique

H (mm)	L = 2,50 m Art.-No.	€ / m	KV (u.)
–	–	–	–
–	–	–	–
6	A 60 TSR	12,51	120
8	A 80 TSR	13,08	120
10	A 100 TSR	13,64	120
11	A 110 TSR	13,93	120
12,5	A 125 TSR	14,21	120

Schlüter®-SCHIENE-MBW



Alu. coloré blanc mat

H (mm)	L = 2,50 m Art.-No.	€ / m	KV (u.)
3	A 30 MBW	6,20	120
4,5	A 45 MBW	6,34	120
6	A 60 MBW	6,47	120
8	A 80 MBW	6,85	120
10	A 100 MBW	7,38	120
11	A 110 MBW	7,59	120
12,5	A 125 MBW	7,87	120

Schlüter®-SCHIENE-MGS



Alu. coloré noir graphite mat

H (mm)	L = 2,50 m Art.-No.	€ / m	KV (u.)
3	A 30 MGS	6,20	120
4,5	A 45 MGS	6,34	120
6	A 60 MGS	6,47	120
8	A 80 MGS	6,85	120
10	A 100 MGS	7,38	120
11	A 110 MGS	7,59	120
12,5	A 125 MGS	7,87	120

Pour les longueurs de 3 m, compléter la référence avec « /300 » (ex. A 60 MBW/300).

Vous trouverez un récapitulatif des finitions et des couleurs à partir de la page 293.



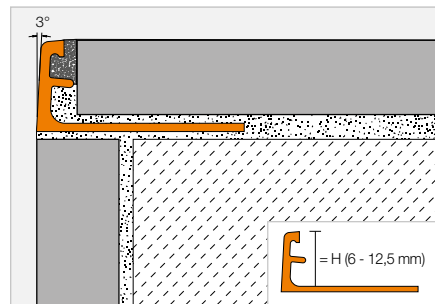
PROFILÉ DE FINITION

Schlüter®-SCHIENE-A



Schlüter-SCHIENE-A est un profilé décoratif en aluminium anodisé, avec un angle à 87°, pour angles sortants, pour plinthes et bordures. Il protège les revêtements des agressions mécaniques. Le profilé est disponible dans différentes finitions anodisées. Un espaceur permet de prédéfinir le joint entre carreau et profilé.

(Fiche produit 1.1)



Schlüter®-SCHIENE-ACG



Alu. chromé anodisé brillant

H (mm)	L = 2,50 m Art.-No.	€ / m	KV (u.)
6	A 60 ACG	12,60	120
8	A 80 ACG	12,99	120
10	A 100 ACG	13,35	120
11	A 110 ACG	13,54	120
12,5	A 125 ACG	13,76	120

Schlüter®-SCHIENE-ACGB



Alu. chromé anodisé brossé

H (mm)	L = 2,50 m Art.-No.	€ / m	KV (u.)
6	A 60 ACGB	12,60	120
8	A 80 ACGB	12,99	120
10	A 100 ACGB	13,35	120
11	A 110 ACGB	13,54	120
12,5	A 125 ACGB	13,76	120

Pour les longueurs de 3 m, compléter la référence avec « /300 » (ex. A 60 ACG/300).

Schlüter®-SCHIENE-AM



Alu. laiton anodisé mat

H (mm)	L = 2,50 m Art.-No.	€ / m	KV (u.)
6	A 60 AM	10,34	120
8	A 80 AM	10,65	120
10	A 100 AM	10,95	120
11	A 110 AM	11,11	120
12,5	A 125 AM	11,29	120

Schlüter®-SCHIENE-AMG



Alu. laiton anodisé brillant

H (mm)	L = 2,50 m Art.-No.	€ / m	KV (u.)
6	A 60 AMG	12,60	120
8	A 80 AMG	12,99	120
10	A 100 AMG	13,35	120
11	A 110 AMG	13,54	120
12,5	A 125 AMG	13,76	120

Schlüter®-SCHIENE-AMGB



Alu. laiton anodisé brossé

H (mm)	L = 2,50 m Art.-No.	€ / m	KV (u.)
6	A 60 AMGB	12,60	120
8	A 80 AMGB	12,99	120
10	A 100 AMGB	13,35	120
11	A 110 AMGB	13,54	120
12,5	A 125 AMGB	13,76	120

Schlüter®-SCHIENE-AK



Alu. cuivre anodisé mat

H (mm)	L = 2,50 m Art.-No.	€ / m	KV (u.)
6	A 60 AK	10,34	120
8	A 80 AK	10,65	120
10	A 100 AK	10,95	120
11	A 110 AK	11,11	120
12,5	A 125 AK	11,29	120

Schlüter®-SCHIENE-AKG



Alu. cuivre anodisé brillant

H (mm)	L = 2,50 m Art.-No.	€ / m	KV (u.)
6	A 60 AKG	12,60	120
8	A 80 AKG	12,99	120
10	A 100 AKG	13,35	120
11	A 110 AKG	13,54	120
12,5	A 125 AKG	13,76	120

Schlüter®-SCHIENE-AKGB



Alu. cuivre anodisé brossé

H (mm)	L = 2,50 m Art.-No.	€ / m	KV (u.)
6	A 60 AKGB	12,60	120
8	A 80 AKGB	12,99	120
10	A 100 AKGB	13,35	120
11	A 110 AKGB	13,54	120
12,5	A 125 AKGB	13,76	120

Schlüter®-SCHIENE-AT



Alu. titane anodisé mat

H (mm)	L = 2,50 m Art.-No.	€ / m	KV (u.)
6	A 60 AT	10,34	120
8	A 80 AT	10,65	120
10	A 100 AT	10,95	120
11	A 110 AT	11,11	120
12,5	A 125 AT	11,29	120

Schlüter®-SCHIENE-ATG



Alu. titane anodisé brillant

H (mm)	L = 2,50 m Art.-No.	€ / m	KV (u.)
6	A 60 ATG	12,60	120
8	A 80 ATG	12,99	120
10	A 100 ATG	13,35	120
11	A 110 ATG	13,54	120
12,5	A 125 ATG	13,76	120

Schlüter®-SCHIENE-ATGB



Alu. titane anodisé brossé

H (mm)	L = 2,50 m Art.-No.	€ / m	KV (u.)
6	A 60 ATGB	12,60	120
8	A 80 ATGB	12,99	120
10	A 100 ATGB	13,35	120
11	A 110 ATGB	13,54	120
12,5	A 125 ATGB	13,76	120

Schlüter®-SCHIENE-ABGB


Alu. bronze anodisé brossé

H (mm)	L = 2,50 m Art.-No.	€ / m	KV (u.)
6	A 60 ABGB	12,60	120
8	A 80 ABGB	12,99	120
10	A 100 ABGB	13,35	120
11	A 110 ABGB	13,54	120
12,5	A 125 ABGB	13,76	120

Schlüter®-SCHIENE-AGRB


Alu. graphite anodisé brossé

H (mm)	L = 2,50 m Art.-No.	€ / m	KV (u.)
6	A 60 AGRB	12,60	120
8	A 80 AGRB	12,99	120
10	A 100 AGRB	13,35	120
11	A 110 AGRB	13,54	120
12,5	A 125 AGRB	13,76	120

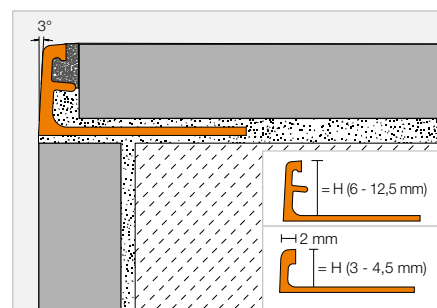
Schlüter®-SCHIENE-AGSG


Alu. noir anodisé brillant

H (mm)	L = 2,50 m Art.-No.	€ / m	KV (u.)
6	A 60 AGSG	12,60	120
8	A 80 AGSG	12,99	120
10	A 100 AGSG	13,35	120
11	A 110 AGSG	13,54	120
12,5	A 125 AGSG	13,76	120

PROFILÉ DE FINITION
Schlüter®-SCHIENE-AC


Schlüter-SCHIENE-AC est un profilé décoratif en aluminium coloré, avec un angle à 87°, pour angles sortants, pour plinthes et bordures. Il protège les revêtements des agressions mécaniques. Un espaceur permet de prédéfinir le joint entre carreau et profilé. (Fiche produit 1.1)


Schlüter®-SCHIENE-AC


Alu. coloré

H (mm)	L = 2,50 m Art.-No.	€ / m	KV (u.)
3	A 30 ...*	6,20	120
4,5	A 45 ...*	6,34	120
6	A 60 ...*	6,47	120
8	A 80 ...*	6,85	120
10	A 100 ...*	7,38	120
11	A 110 ...*	7,59	120
12,5	A 125 ...*	7,87	120

Pour les longueurs de 3 m, compléter la référence avec « /300 » (ex. A 60 GS/300).

Art.-No. à compléter avec la couleur (exemple : A 30 BW)


* Couleurs L = 2,50 m : BH - BW - G - GM - GS - HB - HG - MBW - MGS - PG - RB - SB - W

Couleurs L = 3,00 m : BW - GS - MBW - PG - W

Vous trouverez un récapitulatif des finitions et des couleurs à partir de la page 293.



Schlüter®-FINEC

Le raffinement à l'état pur

Une ligne épurée. Avec son design minimaliste, Schlüter-FINEC permet une finition élégante, soignée et discrète des angles de murs, et s'adapte parfaitement à votre décoration. Schlüter-FINEC forme un angle élégant et étroit pour un agencement esthétique des murs. Disponible en :

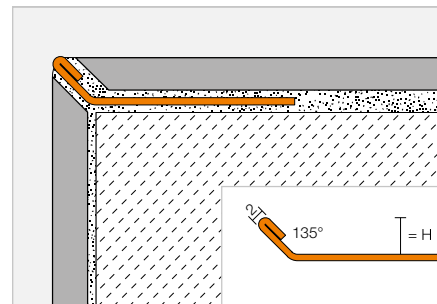
- ✓ Acier inoxydable
- ✓ Aluminium anodisé
- ✓ Aluminium finition structurée
- ✓ Aluminium coloré
- ✓ Kits d'angles disponibles dans toutes les finitions



PROFILÉ DE FINITION | KIT D'ANGLES

Schlüter®-FINEC-E


Schlüter-FINEC-E est un profilé de finition en acier inoxydable pour la finition des chants de revêtements céramiques, de mosaïques ou de surfaces recouvertes d'un enduit de finition. Le profilé protège les bords du revêtement des agressions mécaniques tout en formant un angle discret et élégant. Schlüter-FINEC-E en acier inoxydable est également adapté à la mise en œuvre dans les escaliers. (Fiche produit 2.17)


Schlüter®-FINEC-E

Acier inox. V2A

H (mm)	L = 2,50 m Art.-No.	€ / m	KV (u.)
4,5	F 45 E	9,49	120
7	F 70 E	11,20	120
9	F 90 E	11,72	120
11	F 110 E	12,47	120
12,5	F 125 E	12,86	120

Schlüter®-FINEC-E/ES

Kit d'angles, acier inox. V2A

H (mm)	Art.-No.	€ / Kit	P (kit)
4,5	ES / F 45 E	32,88	50
7	ES / F 70 E	32,88	50
9	ES / F 90 E	32,88	50
11	ES / F 110 E	32,88	50
12,5	ES / F 125 E	32,88	50


Nota :

Le kit d'angles se compose de trois pièces de 10 cm chacune.



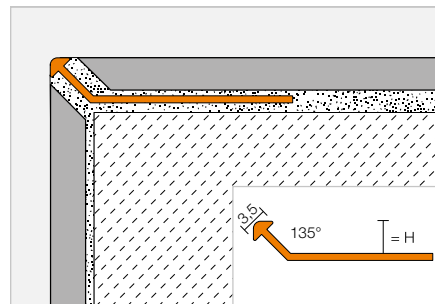
PROFILÉ DE FINITION

Schlüter®-FINEC-TS



Schlüter-FINEC-TS est un profilé en aluminium avec une finition structurée pour la finition des chants de revêtements céramiques, de mosaïques ou de surfaces recouvertes d'un enduit de finition. Le profilé protège les bords du revêtement des agressions mécaniques tout en formant un angle discret et élégant.

(Fiche produit 2.17)



Schlüter®-FINEC-TSI

Alu. finition structurée ivoire

H (mm)	L = 2,50 m Art.-No.	€ / m	KV (u.)
4,5	F 45 TSI	12,97	120
7	F 70 TSI	13,92	120
9	F 90 TSI	14,14	120
11	F 110 TSI	15,03	120
12,5	F 125 TSI	15,71	120

Schlüter®-FINEC-TSC

Alu. finition structurée sable

H (mm)	L = 2,50 m Art.-No.	€ / m	KV (u.)
4,5	F 45 TSC	12,97	120
7	F 70 TSC	13,92	120
9	F 90 TSC	14,14	120
11	F 110 TSC	15,03	120
12,5	F 125 TSC	15,71	120

Schlüter®-FINEC-TSBG

Alu. finition structurée gris beige

H (mm)	L = 2,50 m Art.-No.	€ / m	KV (u.)
4,5	F 45 TSBG	12,97	120
7	F 70 TSBG	13,92	120
9	F 90 TSBG	14,14	120
11	F 110 TSBG	15,03	120
12,5	F 125 TSBG	15,71	120

Schlüter®-FINEC-TSB

Alu. finition structurée beige

H (mm)	L = 2,50 m Art.-No.	€ / m	KV (u.)
4,5	F 45 TSB	12,97	120
7	F 70 TSB	13,92	120
9	F 90 TSB	14,14	120
11	F 110 TSB	15,03	120
12,5	F 125 TSB	15,71	120

Schlüter®-FINEC-TSSG

Alu. finition structurée gris pierre

H (mm)	L = 2,50 m Art.-No.	€ / m	KV (u.)
4,5	F 45 TSSG	12,97	120
7	F 70 TSSG	13,92	120
9	F 90 TSSG	14,14	120
11	F 110 TSSG	15,03	120
12,5	F 125 TSSG	15,71	120

Schlüter®-FINEC-TSG

Alu. finition structurée gris

H (mm)	L = 2,50 m Art.-No.	€ / m	KV (u.)
4,5	F 45 TSG	12,97	120
7	F 70 TSG	13,92	120
9	F 90 TSG	14,14	120
11	F 110 TSG	15,03	120
12,5	F 125 TSG	15,71	120

Schlüter®-FINEC-TSOB

Alu. finition structurée bronze

H (mm)	L = 2,50 m Art.-No.	€ / m	KV (u.)
4,5	F 45 TSOB	12,97	120
7	F 70 TSOB	13,92	120
9	F 90 TSOB	14,14	120
11	F 110 TSOB	15,03	120
12,5	F 125 TSOB	15,71	120

Schlüter®-FINEC-TSLA

Alu. finition structurée gris anthracite clair

H (mm)	L = 2,50 m Art.-No.	€ / m	KV (u.)
4,5	F 45 TSLA	12,97	120
7	F 70 TSLA	13,92	120
9	F 90 TSLA	14,14	120
11	F 110 TSLA	15,03	120
12,5	F 125 TSLA	15,71	120

Schlüter®-FINEC-TSDA

Alu. finition structurée gris anthracite

H (mm)	L = 2,50 m Art.-No.	€ / m	KV (u.)
4,5	F 45 TSDA	12,97	120
7	F 70 TSDA	13,92	120
9	F 90 TSDA	14,14	120
11	F 110 TSDA	15,03	120
12,5	F 125 TSDA	15,71	120

Schlüter®-FINEC-TSR

Alu. finition structurée brun rustique

H (mm)	L = 2,50 m Art.-No.	€ / m	KV (u.)
—	—	—	—
4,5	F 45 TSR	12,97	120
7	F 70 TSR	13,92	120
9	F 90 TSR	14,14	120
11	F 110 TSR	15,03	120
12,5	F 125 TSR	15,71	120

Schlüter®-FINEC-MBW

Alu. coloré blanc mat

H (mm)	L = 2,50 m Art.-No.	€ / m	KV (u.)
2,5	F 25 MBW	6,20	120
4,5	F 45 MBW	6,43	120
7	F 70 MBW	6,77	120
9	F 90 MBW	6,88	120
11	F 110 MBW	6,99	120
12,5	F 125 MBW	7,21	120

Schlüter®-FINEC-MGS

Alu. coloré noir graphite mat

H (mm)	L = 2,50 m Art.-No.	€ / m	KV (u.)
—	—	—	—
4,5	F 45 MGS	6,43	120
7	F 70 MGS	6,77	120
9	F 90 MGS	6,88	120
11	F 110 MGS	6,99	120
12,5	F 125 MGS	7,21	120

KIT D'ANGLES

Schlüter®-FINEC-TS/ES

Kit d'angles, alu. finition structurée

H (mm)	Art.-No.	€ / Kit	P (kit)
–	–	–	–
4,5	ES / F 45 ...*	21,71	50
7	ES / F 70 ...*	21,71	50
9	ES / F 90 ...*	21,71	50
11	ES / F 110 ...*	21,71	50
12,5	ES / F 125 ...*	21,71	50



Schlüter®-FINEC-TS/ES

Kit d'angles, alu. coloré

H (mm)	Art.-No.	€ / Kit	P (u.)
2,5	ES / F 25 ...**	17,77	50
4,5	ES / F 45 ...***	17,77	50
7	ES / F 70 ...***	17,77	50
9	ES / F 90 ...***	17,77	50
11	ES / F 110 ...***	17,77	50
12,5	ES / F 125 ...***	17,77	50

Nota :

Le kit d'angles se compose de trois pièces de 10 cm chacune.

Art.-No. à compléter avec la finition/couleur (exemple ES / F 25 MBW)

* Finitions/couleurs : TSB - TSBG - TSC - TSDA - TSG - TSI - TSLA - TSOB - TSR - TSSG

** Finitions/couleurs : MBW

*** Finitions/couleurs : MBW - MGS

FINITIONS / COULEURS DISPONIBLES



Vous trouverez un récapitulatif des finitions et des couleurs à partir de la page 293.

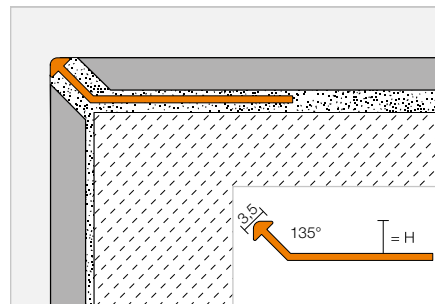


PROFILÉ DE FINITION

Schlüter®-FINEC-A



Schlüter-FINEC-A est un profilé en aluminium anodisé ou laqué pour la finition des chants de revêtements céramiques, de mosaïques ou de surfaces recouvertes d'un enduit de finition. Le profilé protège les bords du revêtement des agressions mécaniques tout en formant un angle discret et élégant. (Fiche produit 2.17)



Schlüter®-FINEC-AE

Alu. naturel anodisé mat

H (mm)	L = 2,50 m Art.-No.	€ / m	KV (u.)
2,5	F 25 AE	5,77	120
4,5	F 45 AE	5,82	120
7	F 70 AE	6,09	120
9	F 90 AE	6,43	120
11	F 110 AE	6,93	120
12,5	F 125 AE	7,15	120



Schlüter®-FINEC-AC

Alu. coloré

H (mm)	L = 2,50 m Art.-No.	€ / m	KV (u.)
2,5	F 25 ...*	6,20	120
4,5	F 45 ...**	6,43	120
7	F 70 ...**	6,77	120
9	F 90 ...**	6,88	120
11	F 110 ...**	6,99	120
12,5	F 125 ...**	7,21	120

KIT D'ANGLES

Schlüter®-FINEC-AE/ES

Kit d'angles, alu. naturel anodisé mat

H (mm)	Art.-No.	€ / Kit	P (kit)
2,5	ES / F 25 AE	17,77	50
4,5	ES / F 45 AE	17,77	50
7	ES / F 70 AE	17,77	50
9	ES / F 90 AE	17,77	50
11	ES / F 110 AE	17,77	50
12,5	ES / F 125 AE	17,77	50



Schlüter®-FINEC-AC/ES

Kit d'angles, alu. coloré

H (mm)	Art.-No.	€ / Kit	P (kit)
2,5	ES / F 25 ...*	17,77	50
4,5	ES / F 45 ...**	17,77	50
7	ES / F 70 ...**	17,77	50
9	ES / F 90 ...**	17,77	50
11	ES / F 110 ...**	17,77	50
12,5	ES / F 125 ...**	17,77	50

Nota :

Le kit d'angles se compose de trois pièces de 10 cm chacune.

Art.-No. à compléter avec la couleur (exemple : ES / F 25 MBW)



* Coloris : MBW

** Coloris : MBW - MGS

Vous trouverez un récapitulatif des finitions et des couleurs à partir de la page 293.

Schlüter®-ARCLINE

Des profilés pour des salles de bains uniques

Schlüter-ARCLINE est une gamme de profilés servant de supports pour accessoires haut de gamme permettant une conception innovante, sur-mesure et fonctionnelle de votre salle de bains. « Clipser au lieu de percer » : selon cette devise, les carreaux et l'étanchéité sur laquelle ils sont posés restent intacts grâce à l'utilisation des profilés de la gamme Schlüter-ARCLINE. Ceci permet une conception innovante, modulable et individuelle de votre salle de bains. Vous avez ainsi le choix entre une mise en œuvre ton sur ton ou contrastée des carreaux, des profilés et des supports en verre.

- ✓ Profilés Schlüter en aluminium
- ✓ Accessoires haut de gamme de la marque KEUCO
- ✓ Verre coloré haute résistance
- ✓ Conception sur-mesure
- ✓ Accessoires repositionnables à volonté
- ✓ Clipser au lieu de percer
- ✓ Pas de détérioration du carrelage ni de l'étanchéité
- ✓ Système fonctionnel, design et flexible





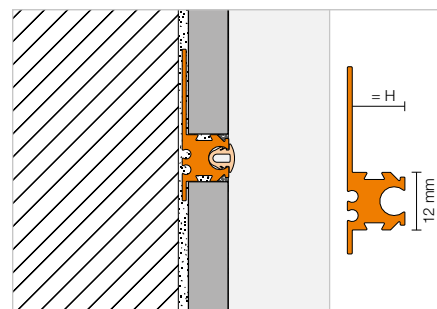
PROFILÉ-SUPPORT

Schlüter®-ARCLINE-APW



Schlüter-ARCLINE-APW est un profilé décoratif permettant de réaliser un joint creux étroit dans les revêtements carrelés muraux. Il permet de recevoir les accessoires Schlüter-ARCLINE-BAK pour des configurations personnalisées. Le profilé est livré avec un insert en matière plastique qui permet de couvrir le joint creux.

(Fiche produit 2.18)



Schlüter®-ARCLINE-APW-AE

Alu. naturel anodisé mat

H (mm)	L = 2,50 m Art.-No.	€ / m	KV (u.)
8	ALW 80 AE	19,71	120
11	ALW 110 AE	21,06	120

Schlüter®-ARCLINE-APW-AC

Alu. coloré blanc mat

H (mm)	L = 2,50 m Art.-No.	€ / m	KV (u.)
8	ALW 80 MBW	22,14	120
11	ALW 110 MBW	23,22	120

Schlüter®-ARCLINE-APW-TSC

Alu. finition structurée sable

H (mm)	L = 2,50 m Art.-No.	€ / m	KV (u.)
8	ALW 80 TSC	24,84	120
11	ALW 110 TSC	25,92	120

Schlüter®-ARCLINE-APW-TSDA

Alu. finition structurée gris anthracite

H (mm)	L = 2,50 m Art.-No.	€ / m	KV (u.)
8	ALW 80 TSDA	24,84	120
11	ALW 110 TSDA	25,92	120

Nota :

Veillez à observer les renseignements techniques disponibles dans les fiches produits lors de la mise en œuvre des produits Schlüter-ARCLINE. Pour la mise en œuvre des produits Schlüter-ARCLINE-BAK-TB, il est recommandé d'installer le profilé ARCLINE à au moins 70 cm du sol.

CAPUCHON DE FERMETURE | RACCORD

Schlüter®-ARCLINE-APW/EK

Capuchon de fermeture

H (mm)	Art.-No.	€ / u.	P (u.)
8	EK / ALW 80 ...*	5,94	50
11	EK / ALW 110 ...*	5,94	50

Schlüter®-ARCLINE-AL/V

Pièces de liaison (2 pièces)

Art.-No.	€ / Kit	P (kit)
V / AL	2,70	50

Art.-No. à compléter avec la finition/couleur (exemple EK / ALW 80 TSC)

* Finitions/couleurs : AE - MBW - TSC - TSDA

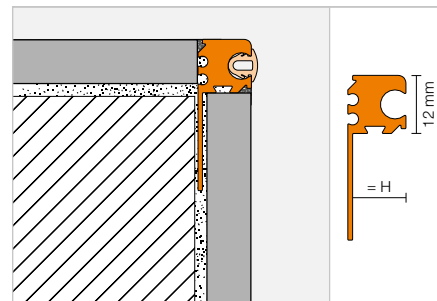
Vous trouverez un récapitulatif des finitions et des couleurs à partir de la page 293.

PROFILÉ-SUPPORT | CAPUCHON DE FERMETURE | RACCORD

Schlüter®-ARCLINE-APE


Schlüter-ARCLINE-APE est un profilé décoratif permettant de réaliser une finition soignée au niveau des angles droits de parois. Il permet de recevoir les accessoires Schlüter-ARCLINE-BAK pour des configurations personnalisées. Le profilé est livré avec un insert en matière plastique qui permet de couvrir le joint creux.

(Fiche produit 2.19)


Schlüter®-ARCLINE-APE-AE

Alu. naturel anodisé mat

H (mm)	L = 2,50 m Art.-No.	€ / m	KV (u.)
8	ALE 80 AE	18,63	120
11	ALE 110 AE	19,98	120

Schlüter®-ARCLINE-APE-AC

Alu. coloré blanc mat

H (mm)	L = 2,50 m Art.-No.	€ / m	KV (u.)
8	ALE 80 MBW	20,25	120
11	ALE 110 MBW	21,60	120

Schlüter®-ARCLINE-APE-TSC

Alu. finition structurée sable

H (mm)	L = 2,50 m Art.-No.	€ / m	KV (u.)
8	ALE 80 TSC	22,14	120
11	ALE 110 TSC	24,30	120

Schlüter®-ARCLINE-APE-TSDA

Alu. finition structurée gris anthracite

H (mm)	L = 2,50 m Art.-No.	€ / m	KV (u.)
8	ALE 80 TSDA	22,14	120
11	ALE 110 TSDA	24,30	120

Schlüter®-ARCLINE-APE/EK

Capuchon de fermeture

H (mm)	Art.-No.	€ / u.	P (u.)
8	EK / ALE 80 ...*	5,94	50
11	EK / ALE 110 ...*	5,94	50

Schlüter®-ARCLINE-AL/V

Pièces de liaison (2 pièces)

Art.-No.	€ / Kit	P (kit)
V / AL	2,70	50

Art.-No. à compléter avec la finition/couleur (exemple EK / ALE 80 TSC)

* Finitions/couleurs : AE - MBW - TSC - TSDA

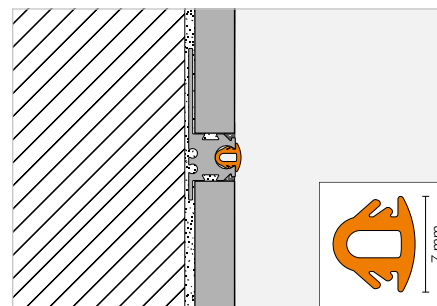
Vous trouverez un récapitulatif des finitions et des couleurs à partir de la page 293.

INSERT DÉCORATIF

Schlüter®-ARCLINE-DEL


Schlüter-ARCLINE-DEL est un insert pour la décoration et la protection des profilés Schlüter-ARCLINE-APW/-APE. Divers coloris permettent de créer des contrastes ou d'apporter une finition ton sur ton avec les revêtements céramiques.

(Fiche produit 2.18)


Schlüter®-ARCLINE-DEL

Insert décoratif

L = 2,50 m Art.-No.	€ / m	KV (u.)
AL DEL / ...*	3,78	60

Art.-No. à compléter avec la couleur (exemple : AL DEL / DA)



* Coloris : C - DA - GAE - MBW

Vous trouverez un récapitulatif des finitions et des couleurs à partir de la page 293.



ACCESSOIRES DE SALLES DE BAINS

Schlüter®-ARCLINE-BAK



Schlüter-ARCLINE-BAK sont des accessoires design de la marque KEUCO, en verre coloré satiné de haute résistance. Les plaques de verre possèdent un crochet sur leur face intérieure, permettant de les clipser dans le rail du profilé Schlüter-ARCLINE et de les positionner librement. Les accessoires de la série KEUCO EDITION 400 / EDITION 11 et PLAN, disponibles en différentes couleurs, offrent un large éventail de choix.

(Fiche produit 2.20)



Les accessoires de salles de bains se mettent en œuvre uniquement avec les profilés Schlüter-ARCLINE.

SCHLÜTER®-ARCLINE-BAK ASSOCIÉS À LA COLLECTION PLAN DE KEUCO



Schlüter®-ARCLINE-BAK-H

Patère, PLAN

Dimensions : 220 x 380 mm Art.-No.	€ / u.	P (u.)
AL PLAN H ...*	232,20	10



Schlüter®-ARCLINE-BAK-HR

Porte-serviette anneau, PLAN

Dimensions : 220 x 380 mm Art.-No.	€ / u.	P (u.)
AL PLAN HR ...*	351,00	10



Schlüter®-ARCLINE-BAK-BH

Porte-serviette, PLAN

Dimensions : 220 x 700 mm Art.-No.	€ / u.	P (u.)
AL PLAN BH 1 ...*	351,00	10



Schlüter®-ARCLINE-BAK-RH

Porte-papier toilette, PLAN

Dimensions : 220 x 220 mm Art.-No.	€ / u.	P (u.)
AL PLAN RH ...*	232,20	10



Nota :

Veillez à observer les renseignements techniques disponibles dans les fiches produits lors de la mise en œuvre des produits Schlüter-ARCLINE. Pour la mise en œuvre des produits Schlüter-ARCLINE-BAK-TB, il est recommandé d'installer le profilé ARCLINE à au moins 70 cm du sol.

Schlüter®-ARCLINE-BAK-TB

Porte-brosse de toilette, PLAN

Dimensions : 600 x 170 mm Art.-No.	€ / u.	P (u.)
AL PLAN TB ...*	415,80	10

SCHLÜTER®-ARCLINE-BAK ASSOCIÉS À LA COLLECTION EDITION 400 / EDITION 11 DE KEUCO


Schlüter®-ARCLINE-BAK-A

 Tablette pour douche,
EDITION 400

Dimensions : 220 x 380 mm Art.-No.	€ / u.	P (u.)
AL E400 A ...*	291,60	10


Schlüter®-ARCLINE-BAK-AW

 Tablette pour douche avec raclette intégrée,
EDITION 400

Dimensions : 220 x 380 mm Art.-No.	€ / u.	P (u.)
AL E400 AW ...*	351,00	10


Schlüter®-ARCLINE-BAK-AK

 Panier de douche,
EDITION 11

Dimensions : 220 x 380 mm Art.-No.	€ / u.	P (u.)
AL E11 AK ...*	394,20	10


Schlüter®-ARCLINE-BAK-H

 Patère double,
EDITION 400

Dimensions : 220 x 380 mm Art.-No.	€ / u.	P (u.)
AL E400 H ...*	275,40	10


Schlüter®-ARCLINE-BAK-HR

 Porte-serviette anneau,
EDITION 400

Dimensions : 220 x 380 mm Art.-No.	€ / u.	P (u.)
AL E400 HR ...*	324,00	10


Schlüter®-ARCLINE-BAK-BH

 Porte-serviette,
EDITION 400

Dimensions : 220 x 700 mm Art.-No.	€ / u.	P (u.)
AL E400 BH 1 ...*	367,20	10


Schlüter®-ARCLINE-BAK-RH

 Porte-papier toilette,
EDITION 400

Dimensions : 220 x 220 mm Art.-No.	€ / u.	P (u.)
AL E400 RH ...*	253,80	10


Schlüter®-ARCLINE-BAK-TB

 Porte-brosse de toilette,
EDITION 400

Dimensions : 600 x 170 mm Art.-No.	€ / u.	P (u.)
AL E400 TB ...*	356,40	10

Art.-No. à compléter avec la couleur du support en verre (exemple : AL E400 TB DA)



* Coloris : C - DA - MBW

Vous trouverez un récapitulatif des finitions et des couleurs à partir de la page 293.



Schlüter®-DECO-MC :

Une finition élégante

- ✓ Section rectangulaire
- ✓ Surface visible du chant : de 10 à 13,5 mm selon le profilé choisi
- ✓ Seulement 6 mm visibles en partie supérieure
- ✓ La brillance du laiton chromé



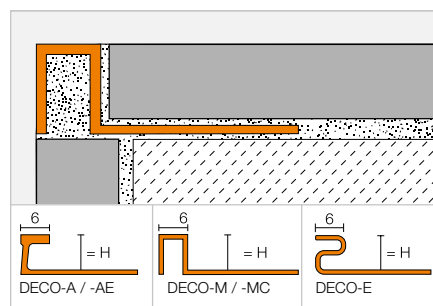
PROFILÉ DE FINITION

Schlüter®-DECO



Schlüter-DECO est un profilé avec une surface visible de 6 mm de large pour la réalisation d'un joint décoratif dans les revêtements carrelés. Schlüter-DECO-M et -MC peuvent aussi être utilisés comme profilés de finition pour angles sortants de murs. Tous les profilés Schlüter-DECO, à l'exception du Schlüter-DECO-MC conviennent aussi pour l'agencement de revêtements de sol.

(Fiche produit 1.6)



Schlüter®-DECO-M



Laiton

H (mm)	L = 2,50 m Art.-No.	€ / m	KV (u.)
9	M 90 D	15,25	120
11	M 110 D	15,91	120
12,5	M 125 D	16,80	120

Schlüter®-DECO-A



Aluminium

H (mm)	L = 2,50 m Art.-No.	€ / m	KV (u.)
8	A 80 D	5,86	120
10	A 100 D	6,25	120
12,5	A 125 D	6,73	120

Schlüter®-DECO-E

Acier inox. V2A

H (mm)	L = 2,50 m Art.-No.	€ / m	KV (u.)
8	E 80 D	14,25	120
9	E 90 D	14,45	120
10	E 100 D	14,66	120
11	E 110 D	14,87	120
12,5	E 125 D	15,20	120
14	E 140 D	15,45	120
16	E 160 D	15,95	120
18,5	E 185 D	16,45	120
21	E 210 D	16,96	120
25	E 250 D	17,88	120
30	E 300 D	18,93	120

Schlüter®-DECO-MC :

Laiton chromé

H (mm)	L = 2,50 m Art.-No.	€ / m	KV (u.)
9	MC 90 D	33,42	120
11	MC 110 D	34,43	120
12,5	MC 125 D	35,07	120

Schlüter®-DECO-AE



Alu. naturel anodisé mat

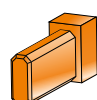
H (mm)	L = 2,50 m Art.-No.	€ / m	KV (u.)
8	AE 80 D	7,72	120
10	AE 100 D	8,33	120
12,5	AE 125 D	8,92	120

ANGLE

Schlüter®-DECO-MC/EV

Angle sortant 90° laiton chromé massif

H (mm)	Art.-No.	€ / u.	P (u.)
9	EV / MC 90 D	18,51	50
11	EV / MC 110 D	18,51	50
12,5	EV / MC 125 D	18,51	50



Schlüter-DECO-MC/EV

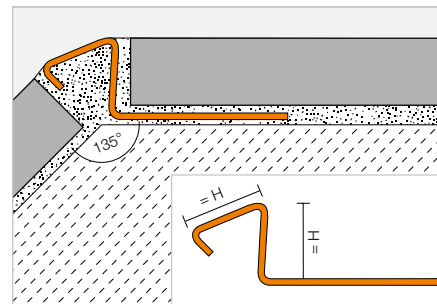


PROFILÉ DE FINITION

Schlüter®-DECO-DE



Schlüter-DECO-DE est un profilé de finition en inox pour angles sortants de revêtements carrelés présentant un angle de 135°. Il assure une protection efficace des arêtes.
(Fiche produit 2.14)



Schlüter®-DECO-DE-E-S

Acier inox. V2A

H (mm)	L = 2,50 m Art.-No.	€ / m	KV (u.)
8	DE 80 ES	15,15	120
10	DE 100 ES	15,65	120
11	DE 110 ES	16,04	120
12,5	DE 125 ES	16,55	120

Schlüter®-DECO-DE-EB-S

Acier inox. V2A brossé

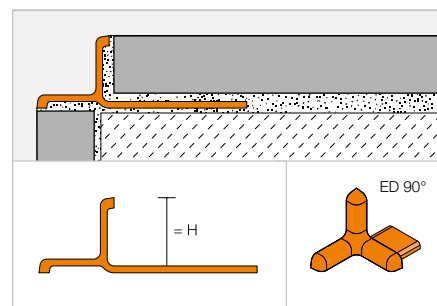
H (mm)	L = 2,50 m Art.-No.	€ / m	KV (u.)
8	DE 80 EBS	19,38	120
10	DE 100 EBS	19,99	120
11	DE 110 EBS	20,46	120
12,5	DE 125 EBS	21,15	120

PROFILÉ DE FINITION | ANGLE

Schlüter®-INDEC



Schlüter-INDEC est un profilé de bordure en aluminium anodisé pour angles sortants de murs et pour l'encadrement de revêtements carrelés. La surface visible du profilé se présente sous forme d'une feuillure décorative en retrait.
(Fiche produit 2.12)



Schlüter®-INDEC-AE

Alu. naturel anodisé mat

H (mm)	L = 2,50 m Art.-No.	€ / m	KV (u.)
8	IN 80 AE	9,33	120
10	IN 100 AE	9,76	120
11	IN 110 AE	11,26	120
12,5	IN 125 AE	11,62	120

Schlüter®-INDEC-ACG

Alu. chromé anodisé brillant

H (mm)	L = 2,50 m Art.-No.	€ / m	KV (u.)
8	IN 80 ACG	16,48	120
10	IN 100 ACG	16,97	120
11	IN 110 ACG	17,80	120
12,5	IN 125 ACG	18,58	120

Schlüter®-INDEC/EV

Angle sortant 90°

H (mm)	Art.-No.	€ / u.	P (u.)
8	ED / IN 80 ...*	4,21	50
10	ED / IN 100 ...*	4,21	50
11	ED / IN 110 ...*	4,21	50
12,5	ED / IN 125 ...*	4,21	50



Art.-No. à compléter avec la finition (exemple ED / IN 80 AE)

* Finitions : ACG - AE

Vous trouverez un récapitulatif des finitions et des couleurs à partir de la page 293.

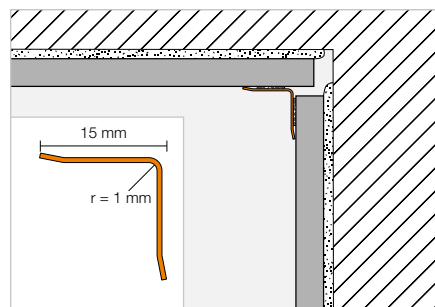


PROFILÉ D'ANGLE

Schlüter®-ECK-KI



Schlüter-ECK-KI est un profilé d'angle en acier inoxydable pour collage ultérieur sur les angles rentrants en céramique ou autre.
(Fiche produit 2.7)



Schlüter®-ECK-KI-E

Acier inox. V2A

B (mm)	L = 3,00 m Art.-No.	€ / m	KV (u.)
15	KI15 E/300	21,79	60
	L = 2,50 m		
15	KI15 E	21,79	60
	L = 2,00 m		
15	KI15 E/200	21,79	60
	L = 1,50 m		
15	KI15 E/150	21,79	60

Schlüter®-ECK-KI-EB

Acier inox. V2A brossé

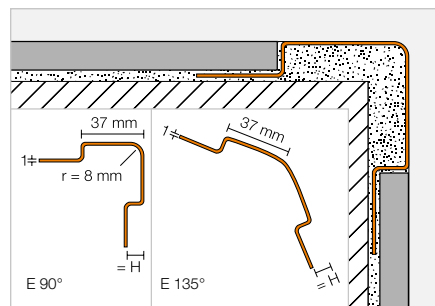
B (mm)	L = 3,00 m Art.-No.	€ / m	KV (u.)
15	KI15 EB/300	28,33	60
	L = 2,50 m		
15	KI15 EB	28,33	60
	L = 2,00 m		
15	KI15 EB/200	28,33	60
	L = 1,50 m		
15	KI15 EB/150	28,33	60

PROFILÉ D'ANGLE

Schlüter®-ECK-E



Schlüter-ECK-E est un profilé d'angle sortant en acier inoxydable pour revêtements céramiques. Il offre une très bonne protection des arêtes soumises à de fortes sollicitations. Les ailettes de fixation perforées seront noyées lors de la pose du carrelage dans le mortier-colle.
(Fiche produit 2.6)



Schlüter®-ECK-E

Acier inox. V2A

H (mm)	L = 3,00 m Art.-No.	€ / m	KV (u.)
6	E37 V2A 60/300	31,54	60
	80/300		
	110/300		
8	E37 V2A 80/250	32,75	60
	80/250		
	110/250		
11	E37 V2A 110/200	34,12	60
	60/200		
	80/200		
6	E37 V2A 60/150	31,54	60
	80/150		
	110/150		
8	E37 V2A 80/150	32,75	60
	80/150		
	110/150		

Schlüter®-ECK-EB

Acier inox. V2A brossé

H (mm)	L = 3,00 m Art.-No.	€ / m	KV (u.)
6	E37 V2A EB 60/300	41,00	60
	80/300		
	110/300		
8	E37 V2A EB 80/250	42,59	60
	80/250		
	110/250		
11	E37 V2A EB 110/200	44,38	60
	60/200		
	80/200		
6	E37 V2A EB 60/150	41,00	60
	80/150		
	110/150		
8	E37 V2A EB 80/150	42,59	60
	80/150		
	110/150		

Schlüter®-ECK-E V4A

Acier inox. V4A

H (mm)	L = 3,00 m Art.-No.	€ / m	KV (u.)
8	E37 V4A 80/300	36,04	60
	110/300		
	L = 2,50 m		
11	E37 V4A 110/250	37,55	60
	80/250		
	L = 2,00 m		
8	E37 V4A 80/200	36,04	60
	110/200		
	L = 1,50 m		
11	E37 V4A 110/150	37,55	60
	80/150		
	110/150		

Schlüter®-ECK-E-S

Acier inox. V2A, 135°

H (mm)	L = 3,00 m Art.-No.	€ / m	KV (u.)
6	E37 E 60 S/300	30,77	60
8	E37 E 80 S/300	32,01	60
11	E37 E 110 S/300	33,32	60
	L = 2,50 m		
6	E37 E 60 S	30,77	60
8	E37 E 80 S	32,01	60
11	E37 E 110 S	33,32	60

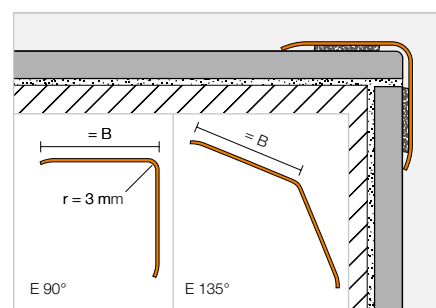
Schlüter®-ECK-EB-S

Acier inox. V2A brossé, 135°

H (mm)	L = 3,00 m Art.-No.	€ / m	KV (u.)
6	E37 EB 60 S/300	40,03	60
8	E37 EB 80 S/300	41,60	60
11	E37 EB 110 S/300	43,33	60
	L = 2,50 m		
6	E37 EB 60 S	40,03	60
8	E37 EB 80 S	41,60	60
11	E37 EB 110 S	43,33	60

PROFILÉ D'ANGLE
Schlüter®-ECK-K


Schlüter-ECK-K est un profilé d'angle sortant en acier inoxydable, à coller a posteriori sur les carreaux ou autres revêtements muraux. (Fiche produit 2.7)


Schlüter®-ECK-K-E

Acier inox. V2A

B (mm)	L = 3,00 m Art.-No.	€ / m	KV (u.)
15	K15 V2A/300	21,79	60
32	K32 V2A/300	31,79	60
50	K50 V2A/300	40,93	60
	L = 2,50 m		
15	K15 V2A/250	21,79	60
32	K32 V2A/250	31,79	60
50	K50 V2A/250	40,93	60
	L = 2,00 m		
15	K15 V2A/200	21,79	60
32	K32 V2A/200	31,79	60
50	K50 V2A/200	40,93	60
	L = 1,50 m		
15	K15 V2A/150	21,79	60
32	K32 V2A/150	31,79	60
50	K50 V2A/150	40,93	60

Schlüter®-ECK-K-EB

Acier inox. V2A brossé

B (mm)	L = 3,00 m Art.-No.	€ / m	KV (u.)
15	K15 V2A EB/300	28,33	60
32	K32 V2A EB/300	41,35	60
50	K50 V2A EB/300	53,17	60
	L = 2,50 m		
15	K15 V2A EB/250	28,33	60
32	K32 V2A EB/250	41,35	60
50	K50 V2A EB/250	53,17	60
	L = 2,00 m		
15	K15 V2A EB/200	28,33	60
32	K32 V2A EB/200	41,35	60
50	K50 V2A EB/200	53,17	60
	L = 1,50 m		
15	K15 V2A EB/150	28,33	60
32	K32 V2A EB/150	41,35	60
50	K50 V2A EB/150	53,17	60

Schlüter®-ECK-K-E V4A

Acier inox. V4A

B (mm)	L = 2,50 m Art.-No.	€ / m	KV (u.)
32	K32 V4A/250	34,98	60
	L = 2,00 m		
32	K32 V4A/200	34,98	60
	L = 1,50 m		
32	K32 V4A/150	34,98	60

Schlüter®-ECK-K-E-S

Acier inox. V2A, 135°

B (mm)	L = 3,00 m Art.-No.	€ / m	KV (u.)
32	K32 ES/300	31,09	60
	L = 2,50 m		
32	K32 ES	31,09	60
	L = 2,00 m		
32	K32 ES/200	31,09	60
	L = 1,50 m		
32	K32 ES/150	31,09	60

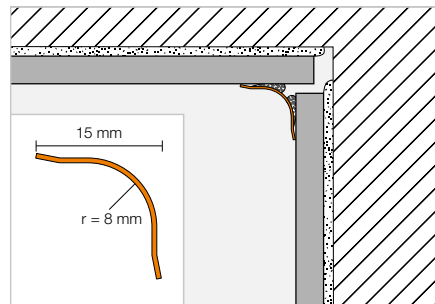


PROFILÉ À GORGE

Schlüter®-ECK-KHK



Schlüter-ECK-KHK est un profilé à gorge en acier inoxydable pour collage ultérieur sur les angles rentrants en céramique ou autre. (Fiche produit 2.7)



Schlüter®-ECK-KHK-E

Acier inox. V2A

B (mm)	L = 3,00 m Art.-No.	€ / m	KV (u.)
15	KHK15 E/300	21,79	60
	L = 2,50 m		
15	KHK15 E	21,79	60
	L = 2,00 m		
15	KHK15 E/200	21,79	60
	L = 1,50 m		
15	KHK15 E/150	21,79	60

Schlüter®-ECK-KHK-EB

Acier inox. V2A brossé

B (mm)	L = 3,00 m Art.-No.	€ / m	KV (u.)
15	KHK15 EB/300	28,33	60
	L = 2,50 m		
15	KHK15 EB	28,33	60
	L = 2,00 m		
15	KHK15 EB/200	28,33	60
	L = 1,50 m		
15	KHK15 EB/150	28,33	60

ANGLE | RACCORD

Schlüter®-ECK-KHK-E/E

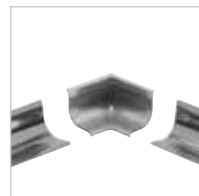
Angle sortant 90°
acier inox. V2A

Art.-No.	€ / u.	P (u.)
E / KHK15 E	7,23	50

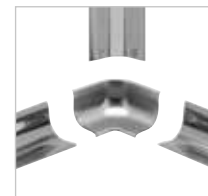
Schlüter®-ECK-KHK-EB/E

Angle sortant 90°
acier inox. V2A brossé

Art.-No.	€ / u.	P (u.)
E / KHK15 EB	7,95	50



I2 = 2 sorties



I3 = 3 sorties

Schlüter®-ECK-KHK-E/I

Angle rentrant 90°
acier inox. V2A

Art.-No.	€ / u.	P (u.)
I/2 KHK15 E	7,23	50
I/3 KHK15 E	7,23	50

Schlüter®-ECK-KHK-EB/I

Angle rentrant 90°
acier inox. V2A brossé

Art.-No.	€ / u.	P (u.)
I/2 KHK15 EB	7,95	50
I/3 KHK15 EB	7,95	50

Schlüter®-ECK-KHK-E/V

Raccord acier inox. V2A

Art.-No.	€ / u.	P (u.)
V / KHK15 E	7,23	50

Schlüter®-ECK-KHK-EB/V

Raccord acier inox. V2A brossé

Art.-No.	€ / u.	P (u.)
V / KHK15 EB	7,95	50



KHK/E



KHK/I2



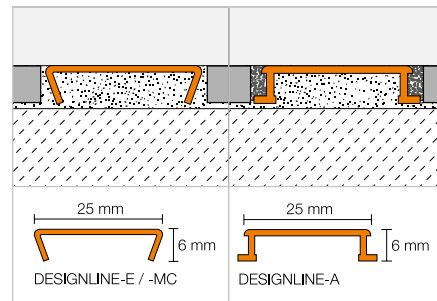
KHK/I3



KHK/V

LISTEL
Schlüter®-DESIGNLINE


Schlüter-DESIGNLINE est un listel pour la décoration des revêtements muraux. La gamme se coordonne facilement avec les profilés Schlüter-RONDEC/-QUADEC. (Fiche produit 2.2)


Schlüter®-DESIGNLINE-E

Acier inox. V2A poli

L = 2,50 m Art.-No.	€/ m	KV (u.)
DL 625 E	22,48	120

Schlüter®-DESIGNLINE-EB

Acier inox. V2A brossé

L = 2,50 m Art.-No.	€/ m	KV (u.)
DL 625 EB	25,90	120

Schlüter®-DESIGNLINE-MC

Laiton chromé

L = 2,50 m Art.-No.	€/ m	KV (u.)
DL 625 MC	31,64	120

Schlüter®-DESIGNLINE-AME

Alu. anodisé mat

L = 2,50 m Art.-No.	€/ m	KV (u.)
DL 625 ...*	11,07	120

Schlüter®-DESIGNLINE-AGE

Alu. brillant anodisé

L = 2,50 m Art.-No.	€/ m	KV (u.)
DL 625 ...**	20,43	120

Schlüter®-DESIGNLINE-AGBE

Alu. brossé anodisé

L = 2,50 m Art.-No.	€/ m	KV (u.)
DL 625 ...***	21,49	120

Art.-No. à compléter avec la finition (exemple DL 625 AMGB)

* Finitions : AE - AK - AM - AT

** Finitions : ACG - AKG - AMG - ATG

*** Finitions : ACGB - AKGB - AMGB - ATGB

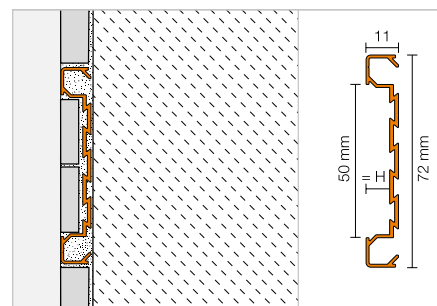
Vous trouverez un récapitulatif des finitions et des couleurs à partir de la page 293.

Nota :

Schlüter-DESIGNLINE peut être combiné avec tous les profilés RONDEC et QUADEC correspondants.

PROFILÉ DÉCORATIF | ANGLE
Schlüter®-QUADEC-FS


Schlüter-QUADEC-FS est un profilé décoratif pour l'encadrement de bordures ou de bandes de carreaux en pose ornementale. (Fiche produit 2.11)


Schlüter®-QUADEC-FS

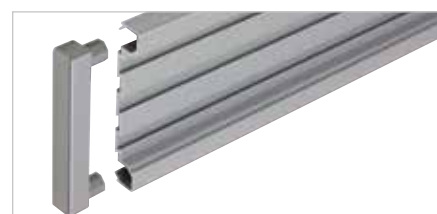
Alu. anodisé mat

H (mm)	L = 2,50 m Art.-No.	€/ m	KV (u.)
8	QF 8/50 ...*	38,86	120

Schlüter®-QUADEC-FS/E

Angle sortant / rentrant 90°

H (mm)	Art.-No.	€/ u.	P (u.)
8	EV / QF 8/50 ...*	27,22	50



La pièce d'angle peut être utilisée indifféremment pour des angles sortants ou des angles rentrants.

Art.-No. à compléter avec la finition (exemple EV / QF 8/50 AT)

* Finitions : AE - AT

Vous trouverez un récapitulatif des finitions et des couleurs à partir de la page 293.

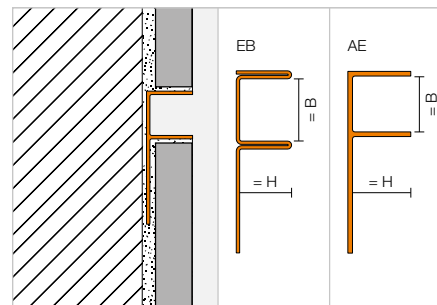


PROFILÉ-SUPPORT

Schlüter®-DECO-SG



Schlüter-DECO-SG est un profilé décoratif permettant de réaliser un joint creux de 12 ou 15 mm de large dans les revêtements carrelés. Ce joint creux est idéal pour la mise en place et la fixation de tablettes (au mur) ou de parois (au sol).
(Fiche produit 2.16)



Schlüter®-DECO-SG-EB

Acier inox. V4A brossé, B = 12 mm

H (mm)	L = 2,50 m Art.-No.	€ / m	KV (u.)
8	SG 80 EB 12	44,40	120
10	SG 100 EB 12	46,62	120
11	SG 110 EB 12	48,84	120
12,5	SG 125 EB 12	51,06	120

Schlüter®-DECO-SG-EB

Acier inox. V4A brossé, B = 15 mm

H (mm)	L = 2,50 m Art.-No.	€ / m	KV (u.)
8	SG 80 EB 15	47,73	120
10	SG 100 EB 15	49,95	120
11	SG 110 EB 15	52,17	120
12,5	SG 125 EB 15	54,39	120

Schlüter®-DECO-SG-AE

Alu. naturel anodisé mat, B = 12 mm

H (mm)	L = 2,50 m Art.-No.	€ / m	KV (u.)
8	SG 80 AE 12	15,87	120
10	SG 100 AE 12	16,29	120
11	SG 110 AE 12	16,66	120
12,5	SG 125 AE 12	17,10	120

Schlüter®-DECO-SG-AE

Alu. naturel anodisé mat, B = 15 mm

H (mm)	L = 2,50 m Art.-No.	€ / m	KV (u.)
8	SG 80 AE 15	18,36	120
10	SG 100 AE 15	18,63	120
11	SG 110 AE 15	19,28	120
12,5	SG 125 AE 15	19,71	120

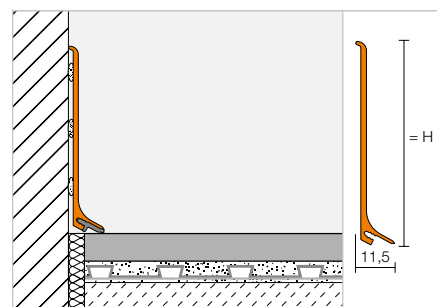


PLINTHE

Schlüter®-DESIGNBASE-SL-A



Schlüter-DESIGNBASE-SL-A est un profilé en aluminium anodisé mat ou en aluminium aspect inox brossé ou en aluminium coloré pour la réalisation de plinthes particulièrement esthétiques. Le profilé se fixe simplement au mur à l'aide d'une colle adaptée. Il peut être équipé en option d'une lèvre d'étanchéité afin de protéger le joint périphérique contre la pénétration d'humidité et de réduire la transmission des bruits de choc.
(Fiche produit 16.2)



Schlüter®-DESIGNBASE-SL-AE

Alu. naturel anodisé mat

H (mm)	L = 2,50 m Art.-No.	€ / m	KV (u.)
60	DB SL 60 AE	12,51	60
80	DB SL 80 AE	15,92	60

Schlüter®-DESIGNBASE-SL-AEEB

Alu. anodisé aspect acier inoxydable brossé

H (mm)	L = 2,50 m Art.-No.	€ / m	KV (u.)
60	DB SL 60 AEEB	21,60	60
80	DB SL 80 AEEB	27,86	60

Schlüter®-DESIGNBASE-SL-AC

Alu. coloré

H (mm)	L = 2,50 m Art.-No.	€ / m	KV (u.)
60	DB SL 60 MBW	16,49	60
80	DB SL 80 MBW	20,47	60

ANGLE | CAPUCHON DE FERMETURE | RACCORD | LÈVRE D'ÉTANCHÉITÉ

Schlüter®-DESIGNBASE-SL-AE/ED

 Angle sortant 90°
alu. naturel anodisé mat

H (mm)	Art.-No.	€ / u.	P (u.)
60	ED / DB SL 60 AE	11,37	50
80	ED / DB SL 80 AE	11,37	50

Schlüter®-DESIGNBASE-SL-AEEB/ED

 Angle sortant 90°
alu. anodisé aspect acier inoxydable brossé

H (mm)	Art.-No.	€ / u.	P (u.)
60	ED / DB SL 60 AEEB	11,37	50
80	ED / DB SL 80 AEEB	11,37	50

Schlüter®-DESIGNBASE-SL-AC/ED

 Angle sortant 90°
alu. coloré

H (mm)	Art.-No.	€ / u.	P (u.)
60	ED / DB SL 60 MBW	11,37	50
80	ED / DB SL 80 MBW	11,37	50

Schlüter®-DESIGNBASE-SL-AE/ID

 Angle rentrant 90°
alu. naturel anodisé mat

H (mm)	Art.-No.	€ / u.	P (u.)
60	ID / DB SL 60 AE	11,37	50
80	ID / DB SL 80 AE	11,37	50

Schlüter®-DESIGNBASE-SL-AEEB/ID

 Angle rentrant 90°
alu. anodisé aspect acier inoxydable brossé

H (mm)	Art.-No.	€ / u.	P (u.)
60	ID / DB SL 60 AEEB	11,37	50
80	ID / DB SL 80 AEEB	11,37	50

Schlüter®-DESIGNBASE-SL-AC/ID

 Angle rentrant 90°
alu. coloré

H (mm)	Art.-No.	€ / u.	P (u.)
60	ID / DB SL 60 MBW	11,37	50
80	ID / DB SL 80 MBW	11,37	50

Nota :

Les angles rentrants (ID / DB SL 60 AEEB et ID / DB SL 80 AEEB) ne sont pas brossés pour des raisons de technique de production.

Schlüter®-DESIGNBASE-SL-AE/EK

 Capuchon de fermeture côté gauche
alu. naturel anodisé mat

H (mm)	Art.-No.	€ / u.	P (u.)
60	EL / DB SL 60 AE	11,37	50
80	EL / DB SL 80 AE	11,37	50

Schlüter®-DESIGNBASE-SL-AEEB/EK

 Capuchon de fermeture côté gauche
alu. anodisé aspect acier inoxydable brossé

H (mm)	Art.-No.	€ / u.	P (u.)
60	EL / DB SL 60 AEEB	11,37	50
80	EL / DB SL 80 AEEB	11,37	50

Schlüter®-DESIGNBASE-SL-AC/EK

 Capuchon de fermeture côté gauche
alu. coloré

H (mm)	Art.-No.	€ / u.	P (u.)
60	EL / DB SL 60 MBW	11,37	50
80	EL / DB SL 80 MBW	11,37	50

Schlüter®-DESIGNBASE-SL-AE/EK

 Capuchon de fermeture côté droit
alu. naturel anodisé mat

H (mm)	Art.-No.	€ / u.	P (u.)
60	ER / DB SL 60 AE	11,37	50
80	ER / DB SL 80 AE	11,37	50

Schlüter®-DESIGNBASE-SL-AEEB/EK

 Capuchon de fermeture côté droit
alu. anodisé aspect acier inoxydable brossé

H (mm)	Art.-No.	€ / u.	P (u.)
60	ER / DB SL 60 AEEB	11,37	50
80	ER / DB SL 80 AEEB	11,37	50

Schlüter®-DESIGNBASE-SL-AC/EK

 Capuchon de fermeture côté droit
alu. coloré

H (mm)	Art.-No.	€ / u.	P (u.)
60	ER / DB SL 60 MBW	11,37	50
80	ER / DB SL 80 MBW	11,37	50

Schlüter®-DESIGNBASE-SL-AE/V

Raccord alu. naturel anodisé mat

H (mm)	Art.-No.	€ / u.	P (u.)
60	V / DB SL 60 AE	11,37	50
80	V / DB SL 80 AE	11,37	50

Schlüter®-DESIGNBASE-SL-AEEB/V

Raccord alu. anodisé aspect acier inoxydable brossé

H (mm)	Art.-No.	€ / u.	P (u.)
60	V / DB SL 60 AEEB	11,37	50
80	V / DB SL 80 AEEB	11,37	50

Schlüter®-DESIGNBASE-SL-AC/V

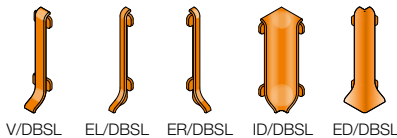
Raccord alu. coloré

H (mm)	Art.-No.	€ / u.	P (u.)
60	V / DB SL 60 MBW	11,37	50
80	V / DB SL 80 MBW	11,37	50

Schlüter®-DESIGNBASE-SL/Z

Lèvre d'étanchéité

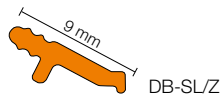
L = 2,50 m Art.-No.	€ / m	KV (u.)
DB ZS LL	4,49	60



Couleur disponible :

MBW

Coloris : MBW


Nota :

Schlüter-DESIGNBASE-SL-A peut être cintré avec la cintreuse Schlüter-RUMA, en respectant certains rayons (nous consulter au cas par cas).

Nous proposons également les profilés Schlüter-DESIGNBASE-QD pour la réalisation de plinthes éclairées avec des LED : voir tarif LIPROTEC.



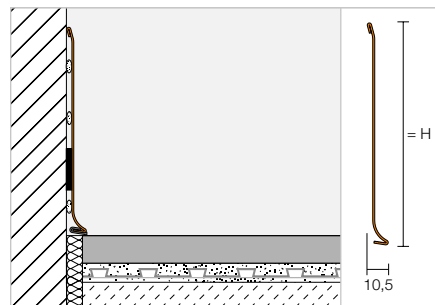
PLINTHE

Schlüter®-DESIGNBASE-SL-E



Schlüter-DESIGNBASE-SL-E est une plinthe en acier inoxydable pour une mise en œuvre dans des zones fortement sollicitées. Le profilé se fixe au mur à l'aide d'une colle adaptée. Des pièces de raccord, également en acier inoxydable, permettent de réaliser des finitions soignées. Il peut être équipé en option d'une lèvre d'étanchéité afin de protéger le joint périphérique contre la pénétration d'humidité et de réduire la transmission des bruits de choc.

(Fiche produit 16.2)



Schlüter®-DESIGNBASE-SL-EB

Acier inox. V2A brossé

H (mm)	L = 2,50 m Art.-No.	€ / m	KV (u.)
110	DB SL 110 EB	39,96	60
160	DB SL 160 EB	49,95	60

ANGLE | CAPUCHON DE FERMETURE | RACCORD | LÈVRE D'ÉTANCHÉITÉ

Schlüter®-DESIGNBASE-SL-EB/E 90°

Angle sortant 90°
acier inox. V2A brossé

H (mm)	Art.-No.	€ / u.	P (u.)
110	E 90 / DB SL 110 EB	38,85	50
160	E 90 / DB SL 160 EB	41,07	50



Schlüter®-DESIGNBASE-SL-EB/I 90°

Angle rentrant 90°
acier inox. V2A brossé

H (mm)	Art.-No.	€ / u.	P (u.)
110	I 90 / DB SL 110 EB	38,85	50
160	I 90 / DB SL 160 EB	41,07	50

Schlüter®-DESIGNBASE-SL-EB/EK

Capuchon de fermeture côté gauche
acier inox. V2A brossé

H (mm)	Art.-No.	€ / u.	P (u.)
110	EL / DB SL 110 EB	27,75	50
160	EL / DB SL 160 EB	28,86	50



Schlüter®-DESIGNBASE-SL-EB/ER

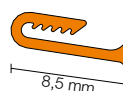
Capuchon de fermeture côté droit
acier inox. V2A brossé

H (mm)	Art.-No.	€ / u.	P (u.)
110	ER / DB SL 110 EB	27,75	50
160	ER / DB SL 160 EB	28,86	50

Schlüter®-DESIGNBASE-SL-EB/V

Raccord acier inox. V2A brossé

H (mm)	Art.-No.	€ / u.	P (u.)
110	V / DB SL 110 EB	16,65	50
160	V / DB SL 160 EB	17,76	50



Schlüter®-DESIGNBASE-SL/Z

Lèvre d'étanchéité

L = 2,50 m Art.-No.	€ / m	KV (u.)
DB ZS LLE	5,00	60



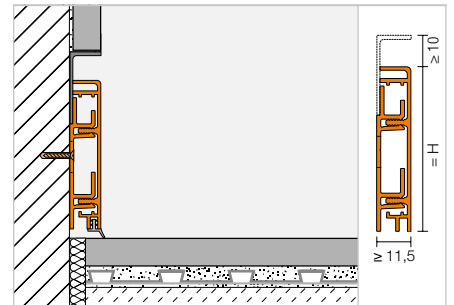
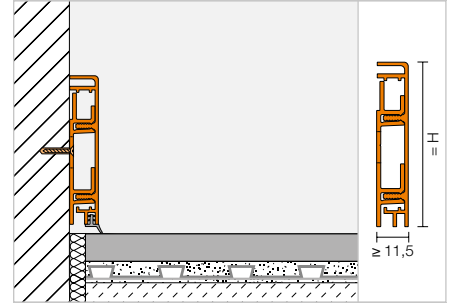
PLINTHE

Schlüter®-DESIGNBASE-CQ



Schlüter-DESIGNBASE-CQ/O

Schlüter-DESIGNBASE-CQ est un profilé en aluminium anodisé ou coloré pour la réalisation de plinthes décoratives. Le profilé-support en plastique est réglable en hauteur et comporte des agrafes permettant le passage aisé de câbles*. Des éléments pré-découpés pour sortie de câbles* font partie de la gamme. Pour une mise en œuvre en association avec un carrelage mural, il est possible de réaliser un joint creux à l'aide du profilé Schlüter-DESIGNBASE-CQ-SG. Si nécessaire, le profilé peut être équipé d'une lèvres d'étanchéité afin de protéger le joint périphérique contre la pénétration d'humidité, et de réduire la transmission des bruits de choc. (Fiche produit 16.3)



Schlüter®-DESIGNBASE-CQ-AE

Kit alu. naturel anodisé mat

H (mm)	L = 2,50 m Art.-No.	€ / m	KV (kit)
60	DB CQ 60 AE	26,73	60
80	DB CQ 80 AE	28,44	60

Schlüter®-DESIGNBASE-CQ-AEEB

Kit alu. anodisé aspect acier inoxydable brossé

H (mm)	L = 2,50 m Art.-No.	€ / m	KV (kit)
60	DB CQ 60 AEEB	32,97	60
80	DB CQ 80 AEEB	36,39	60

Schlüter®-DESIGNBASE-CQ-AC

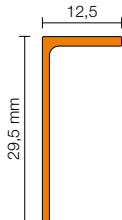
Kit alu. coloré

H (mm)	L = 2,50 m Art.-No.	€ / m	KV (kit)
60	DB CQ 60 MBW	30,70	60
80	DB CQ 80 MBW	34,12	60

Schlüter®-DESIGNBASE-CQ/SG

Profilé décoratif pour joint creux

H (mm)	L = 2,50 m Art.-No.	€ / m	KV (u.)
12,5	DB SG 125 AE	7,91	60
12,5	DB SG 125 MBW	11,89	60
12,5	DB SG 125 AEEB	16,49	60


Nota :

Le kit comprend le profilé Schlüter-DESIGNBASE-CQ, un profilé-support en PVC, ainsi que le matériel de fixation.

* Pour câbles électriques avec gaine de protection.

ANGLE | CAPUCHON DE FERMETURE | SORTIE DE CÂBLE | LÈVRE D'ÉTANCHÉITÉ

Schlüter®-DESIGNBASE-CQ-AE/EV

Angle sortant/reentrant 90° / capuchon de fermeture en alu naturel anodisé mat

H (mm)	Art.-No.	€ / u.	P (u.)
60	EV / DB CQ 60 AE	17,61	50
80	EV / DB CQ 80 AE	17,61	50

Schlüter®-DESIGNBASE-CQ-AEEB/EV

Angle sortant/reentrant 90° / capuchon de fermeture en alu anodisé aspect acier inoxydable brossé

H (mm)	Art.-No.	€ / u.	P (u.)
60	EV / DB CQ 60 AEEB	18,76	50
80	EV / DB CQ 80 AEEB	18,76	50

Schlüter®-DESIGNBASE-CQ-AC/EV

Angle sortant/reentrant 90° / capuchon de fermeture en alu coloré

H (mm)	Art.-No.	€ / u.	P (u.)
60	EV / DB CQ 60 MBW	18,20	50
80	EV / DB CQ 80 MBW	18,20	50

Schlüter®-DESIGNBASE-CQ-AE/O

Élément pour sortie de câble, largeur : 15 cm

H (mm)	Art.-No.	€ / u.	P (u.)
60	DB COQ 60 AE/15	13,64	60
80	DB COQ 80 AE/15	14,21	60

Schlüter®-DESIGNBASE-CQ-AEEB/O

Élément pour sortie de câble, largeur : 15 cm

H (mm)	Art.-No.	€ / u.	P (u.)
60	DB COQ 60 AEEB/15	14,79	60
80	DB COQ 80 AEEB/15	15,36	60

Schlüter®-DESIGNBASE-CQ-AC/O

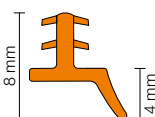
Élément pour sortie de câble, largeur : 15 cm

H (mm)	Art.-No.	€ / u.	P (u.)
60	DB COQ 60 MBW/15	13,93	60
80	DB COQ 80 MBW/15	14,61	60

Schlüter®-DESIGNBASE-CQ/Z

Lèvre d'étanchéité

L = 2,50 m Art.-No.	€ / m	P (u.)
DB ZCL / MBW	6,25	60
DB ZCL / PG	6,25	60



Couleur disponible :

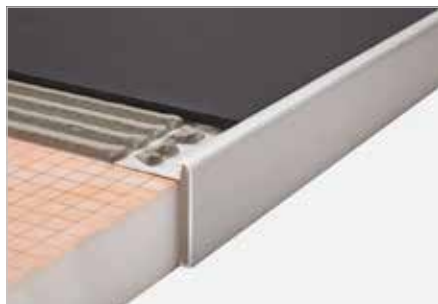
MBW

Coloris : MBW

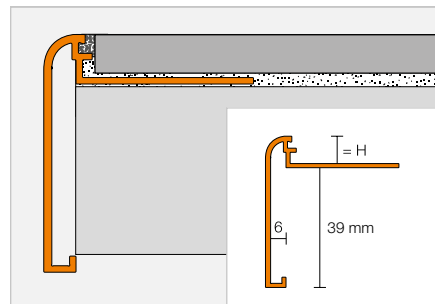


PROFILÉ DE FINITION

Schlüter®-RONDEC-STEP



Schlüter-RONDEC-STEP est un profilé avec espaceur pour plans de travail de cuisine ou pour plans vasques destinés à recevoir un revêtement carrelé. La bordure supérieure présente un aspect arrondi.
(Fiche produit 2.8)



Schlüter®-RONDEC-STEP-AE

Alu. naturel anodisé mat

H (mm)	L = 2,50 m Art.-No.	€ / m	KV (u.)
8	RS 80 AE 39	24,14	60
10	RS 100 AE 39	24,66	60
12,5	RS 125 AE 39	25,15	60

Schlüter®-RONDEC-STEP-ACGB

Alu. chromé anodisé brossé

H (mm)	L = 2,50 m Art.-No.	€ / m	KV (u.)
8	RS 80 ACGB 39	29,82	60
10	RS 100 ACGB 39	30,32	60
12,5	RS 125 ACGB 39	30,77	60

ANGLE

Schlüter®-RONDEC-STEP/E 90°

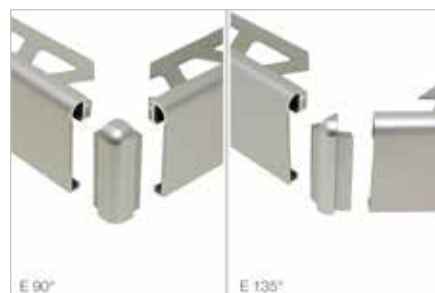
Angle sortant 90°

H (mm)	Art.-No.	€ / u.	P (u.)
8	E90 RS 80 ...* 39	27,05	50
10	E90 RS 100 ...* 39	27,05	50
12,5	E90 RS 125 ...* 39	27,05	50

Schlüter®-RONDEC-STEP/E 135°

Angle sortant 135°

H (mm)	Art.-No.	€ / u.	P (u.)
8	E135 RS 80 ...* 39	27,05	50
10	E135 RS 100 ...* 39	27,05	50
12,5	E135 RS 125 ...* 39	27,05	50



Schlüter®-RONDEC-STEP/I 90°

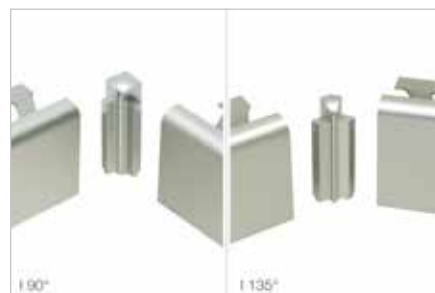
Angle rentrant 90°

H (mm)	Art.-No.	€ / u.	P (u.)
8	I90 RS 80 ...* 39	27,05	50
10	I90 RS 100 ...* 39	27,05	50
12,5	I90 RS 125 ...* 39	27,05	50

Schlüter®-RONDEC-STEP/I 135°

Angle rentrant 135°

H (mm)	Art.-No.	€ / u.	P (u.)
8	I135 RS 80 ...* 39	27,05	50
10	I135 RS 100 ...* 39	27,05	50
12,5	I135 RS 125 ...* 39	27,05	50



Art.-No. à compléter avec la finition (exemple I135 RS 80 AE 39)

* Finitions : ACGB - AE

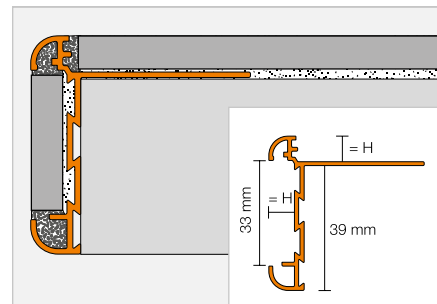
Vous trouverez un récapitulatif des finitions et des couleurs à partir de la page 293.

PROFILÉ DE FINITION

Schlüter®-RONDEC-STEP-CT



Schlüter-**RONDEC-STEP-CT** est un profilé avec espaceur pour plans de travail de cuisine ou pour plans vasques destinés à recevoir un revêtement carrelé. L'espace libre du profilé permet de recevoir des éléments décoratifs (carrelage ou autre).
(Fiche produit 2.8)



Schlüter®-RONDEC-STEP-CT-AE

Alu. naturel anodisé mat

H (mm)	L = 2,50 m Art.-No.	€ / m	KV (u.)
8	RC 80 AE 39	39,64	60
10	RC 100 AE 39	40,52	60
12,5	RC 125 AE 39	41,35	60

Schlüter®-RONDEC-STEP-CT-ACGB

Alu. chromé anodisé brossé

H (mm)	L = 2,50 m Art.-No.	€ / m	KV (u.)
8	RC 80 ACGB 39	42,97	60
10	RC 100 ACGB 39	43,82	60
12,5	RC 125 ACGB 39	44,65	60

ANGLE

Schlüter®-RONDEC-STEP-CT/E 90°

Angle sortant 90°

H (mm)	Art.-No.	€ / u.	P (u.)
8	E90 RC 80 ...* 39	27,05	10
10	E90 RC 100 ...* 39	27,05	10
12,5	E90 RC 125 ...* 39	27,05	10

Schlüter®-RONDEC-STEP-CT/E 135°

Angle sortant 135°

H (mm)	Art.-No.	€ / u.	P (u.)
8	E135 RC 80 ...* 39	27,05	10
10	E135 RC 100 ...* 39	27,05	10
12,5	E135 RC 125 ...* 39	27,05	10



Schlüter®-RONDEC-STEP-CT/I 90°

Angle rentrant 90°

H (mm)	Art.-No.	€ / u.	P (u.)
8	I90 RC 80 ...* 39	27,05	10
10	I90 RC 100 ...* 39	27,05	10
12,5	I90 RC 125 ...* 39	27,05	10

Schlüter®-RONDEC-STEP-CT/I 135°

Angle rentrant 135°

H (mm)	Art.-No.	€ / u.	P (u.)
8	I135 RC 80 ...* 39	27,05	10
10	I135 RC 100 ...* 39	27,05	10
12,5	I135 RC 125 ...* 39	27,05	10



Art.-No. à compléter avec la finition (exemple I135 RC 80 AE 39)

* Finitions : ACGB - AE

Vous trouverez un récapitulatif des finitions et des couleurs à partir de la page 293.



PROFILÉ DE FINITION | ANGLE | RACCORD

Schlüter®-SCHIENE-STEP-EB



Schlüter-SCHIENE-STEP-EB est un profilé de finition en acier inoxydable brossé. Grâce aux différentes dimensions proposées, ce profilé convient pour de nombreuses applications telles que les plans de travail, les marches d'escaliers, ou pour la finition de travaux de rénovation (comme la pose d'un nouveau carrelage sur un ancien carrelage).

(Fiche produit 2.15)

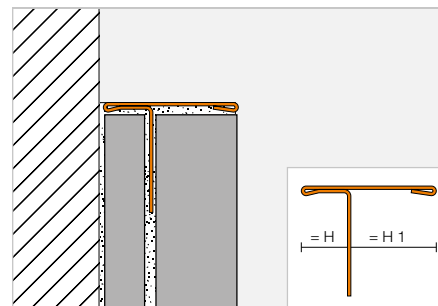
HAUTEUR DU PROFILÉ H1 = 11 MM



Schlüter®-SCHIENE-STEP-EB

Acier inox. V2A brossé, H1 = 11 mm

H (mm)	L = 2,50 m Art.-No.	€ / m	KV (u.)
6	SS 60 EB 11	32,88	60
12,5	SS 125 EB 11	33,78	60



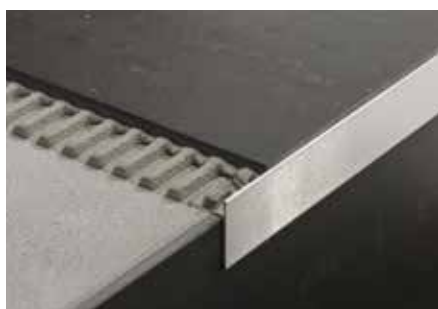
Schlüter®-SCHIENE-STEP-EB/V

Raccord acier inox. V2A brossé

H (mm)	Art.-No.	€ / u.	P (u.)
6	V / SS 60 EB 11	13,15	50
12,5	V / SS 125 EB 11	13,15	50



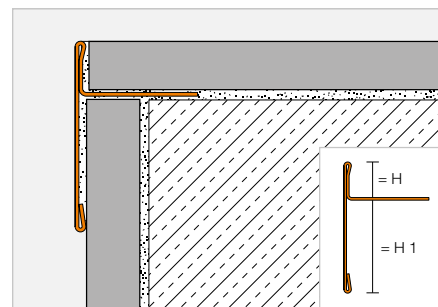
HAUTEUR DU PROFILÉ H1 = 30 MM



Schlüter®-SCHIENE-STEP-EB

Acier inox. V2A brossé, H1 = 30 mm

H (mm)	L = 2,50 m Art.-No.	€ / m	KV (u.)
9	SS 90 EB 30	36,76	60
11	SS 110 EB 30	37,67	60
12,5	SS 125 EB 30	38,55	60



Schlüter®-SCHIENE-STEP-EB/E 90°

Angle sortant 90° acier inox. V2A brossé

H (mm)	Art.-No.	€ / u.	P (u.)
9	E90 / SS 90 EB 30	14,95	50
11	E90 / SS 110 EB 30	14,95	50
12,5	E90 / SS 125 EB 30	14,95	50

Schlüter®-SCHIENE-STEP-EB/V

Raccord acier inox. V2A brossé

H (mm)	Art.-No.	€ / u.	P (u.)
9	V / SS 90 EB 30	13,15	50
11	V / SS 110 EB 30	13,15	50
12,5	V / SS 125 EB 30	13,15	50

Nota :

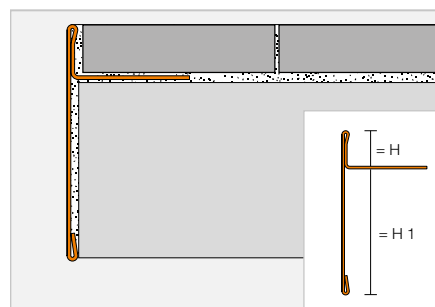
L'angle sortant 90° convient également comme capuchon de fermeture. Les angles et les raccords doivent être mis en œuvre avant de poser le profilé, car ils ne peuvent pas être clipsés ultérieurement : ils coulissent sur le profilé.

HAUTEUR DU PROFILÉ H1 = 39 MM

Schlüter®-SCHIENE-STEP-EB


Acier inox. V2A brossé, H1 = 39 mm

H (mm)	L = 2,50 m Art.-No.	€/ m	KV (u.)
6	SS 60 EB 39	44,24	60
9	SS 90 EB 39	46,03	60
11	SS 110 EB 39	46,93	60
12,5	SS 125 EB 39	48,43	60


Schlüter®-SCHIENE-STEP-EB/E 90°

Angle sortant 90° acier inox. V2A brossé

H (mm)	Art.-No.	€/ u.	P (u.)
6	E90 / SS 60 EB 39	14,95	50
9	E90 / SS 90 EB 39	14,95	50
11	E90 / SS 110 EB 39	14,95	50
12,5	E90 / SS 125 EB 39	14,95	50

Schlüter®-SCHIENE-STEP-EB/I 90°

Angle rentrant 90° acier inox. V2A brossé

H (mm)	Art.-No.	€/ u.	P (u.)
6	I90 / SS 60 EB 39	14,95	50
9	I90 / SS 90 EB 39	14,95	50
11	I90 / SS 110 EB 39	14,95	50
12,5	I90 / SS 125 EB 39	14,95	50

Schlüter®-SCHIENE-STEP-EB/E 135°

Angle sortant 135° acier inox. V2A brossé

H (mm)	Art.-No.	€/ u.	P (u.)
6	E135 / SS 60 EB 39	14,95	50
9	E135 / SS 90 EB 39	14,95	50
11	E135 / SS 110 EB 39	14,95	50
12,5	E135 / SS 125 EB 39	14,95	50

Schlüter®-SCHIENE-STEP-EB/I 135°

Angle rentrant 135° acier inox. V2A brossé

H (mm)	Art.-No.	€/ u.	P (u.)
6	I135 / SS 60 EB 39	14,95	50
9	I135 / SS 90 EB 39	14,95	50
11	I135 / SS 110 EB 39	14,95	50
12,5	I135 / SS 125 EB 39	14,95	50

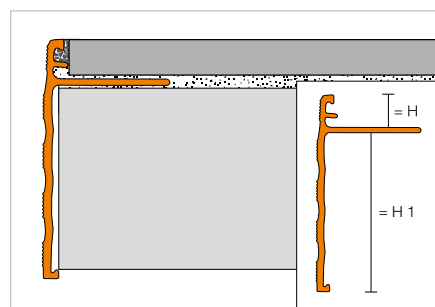
Schlüter®-SCHIENE-STEP-EB/V

Raccord acier inox. V2A brossé

H (mm)	Art.-No.	€/ u.	P (u.)
6	V / SS 60 EB 39	13,15	50
9	V / SS 90 EB 39	13,15	50
11	V / SS 110 EB 39	13,15	50
12,5	V / SS 125 EB 39	13,15	50

PROFILÉ DE FINITION
Schlüter®-SCHIENE-STEP


Schlüter-SCHIENE-STEP est un profilé avec espaceur pour plans de travail de cuisine ou pour plans vasques destinés à recevoir un revêtement carrelé.
(Fiche produit 2.15)


Schlüter®-SCHIENE-STEP-AE

Alu. naturel anodisé mat, H1 = 30 mm

H (mm)	L = 2,50 m Art.-No.	€/ m	KV (u.)
8	SS 80 AE 30	23,48	60
10	SS 100 AE 30	23,87	60
12,5	SS 125 AE 30	24,58	60
15	SS 150 AE 30	25,22	60

Schlüter®-SCHIENE-STEP-AE

Alu. naturel anodisé mat, H1 = 39 mm

H (mm)	L = 2,50 m Art.-No.	€/ m	KV (u.)
8	SS 80 AE 39	24,12	60
10	SS 100 AE 39	24,47	60
12,5	SS 125 AE 39	25,22	60
15	SS 150 AE 39	25,63	60



Profils Schlüter

Profils pour escaliers

Les nez de marche sont soumis à de fortes sollicitations mécaniques et peuvent présenter un risque d'accidents non négligeable. Les profils Schlüter-TREP, qui peuvent également être mis en œuvre a posteriori, apportent un surcroît de sécurité grâce à leur caractère non-glissant et à leur visibilité immédiate. Ils protègent les nez de marche et garantissent ainsi la pérennité du revêtement. Les profils Schlüter-TREP se combinent parfaitement avec la gamme des profils à LED Schlüter-LIPROTEC.





Profilés pour escaliers

Schlüter®-TREP-E	82
Schlüter®-TREP-G/-GL	83
Schlüter®-TREP-S/-B	84
Schlüter®-TREP-FL	85

Profilés pour escaliers en rénovation

Schlüter®-TREP-EK	87
Schlüter®-TREP-EFK	87
Schlüter®-TREP-GK/-GLK	88

Colle de montage

Schlüter®-KERDI-FIX	89
---------------------	----



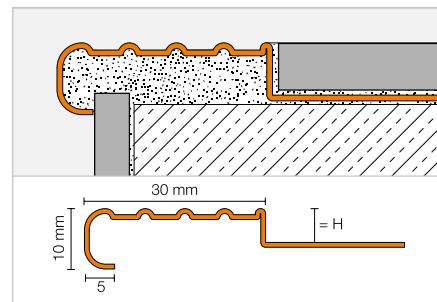
PROFILÉ POUR ESCALIER

Schlüter®-TREP-E



Schlüter-TREP-E est un profilé en acier inoxydable V2A ou V4A pour escaliers, présentant un relief non-glissant.

(Fiche produit 3.3)



Schlüter®-TREP-E

Acier inox. V2A, R 10 / PC 10

H (mm)	L = 2,50 m Art.-No.	€ / m	KV (u.)
2	TE 20	16,04	60
3	TE 30	16,22	60
5	TE 50	16,55	60
8	TE 80	17,04	60
11	TE 110	17,57	60
13	TE 130	17,99	60
16	TE 160	18,44	60
25	TE 250	19,99	60

Schlüter®-TREP-E

Acier inox. V2A, R 10 / PC 10

H (mm)	L = 1,50 m Art.-No.	€ / m	KV (u.)
2	TE 20/150	16,04	60
3	TE 30/150	16,22	60
5	TE 50/150	16,55	60
8	TE 80/150	17,04	60
11	TE 110/150	17,57	60
13	TE 130/150	17,99	60
16	TE 160/150	18,44	60
25	TE 250/150	19,99	60

Schlüter®-TREP-E

Acier inox. V2A, R 10 / PC 10

H (mm)	L = 1,00 m Art.-No.	€ / m	KV (u.)
2	TE 20/100	16,89	60
3	TE 30/100	17,04	60
5	TE 50/100	17,38	60
8	TE 80/100	17,88	60
11	TE 110/100	18,44	60
13	TE 130/100	18,83	60
16	TE 160/100	19,34	60
25	TE 250/100	20,85	60

Schlüter®-TREP-E V4A

Acier inox. V4A, R 10 / PC 10

H (mm)	L = 2,50 m Art.-No.	€ / m	KV (u.)
8	TE 80/V4A	18,75	60
11	TE 110/V4A	19,31	60
13	TE 130/V4A	19,80	60
16	TE 160/V4A	20,25	60

Schlüter®-TREP-E V4A

Acier inox. V4A, R 10 / PC 10

H (mm)	L = 1,50 m Art.-No.	€ / m	KV (u.)
8	TE 80/150/V4A	18,75	60
11	TE 110/150/V4A	19,31	60
13	TE 130/150/V4A	19,80	60
16	TE 160/150/V4A	20,25	60

Schlüter®-TREP-E V4A

Acier inox. V4A, R 10 / PC 10

H (mm)	L = 1,00 m Art.-No.	€ / m	KV (u.)
8	TE 80/100/V4A	19,68	60
11	TE 110/100/V4A	20,25	60
13	TE 130/100/V4A	20,62	60
16	TE 160/100/V4A	21,28	60

CAPUCHON DE FERMETURE

Schlüter®-TREP-E V4A/EK

Capuchon de fermeture acier inox.V4A

Art.-No.	€ / u.	P (u.)
E / TE	2,26	50



TREP-E V4A/EK

Convient également pour les profilés V2A.

Nota :

R 10 = classe de résistance à la glissance selon la norme DIN 51 130.

Pour la France, correspondance avec la norme NF P 05-011 : R 10 = PC 10.

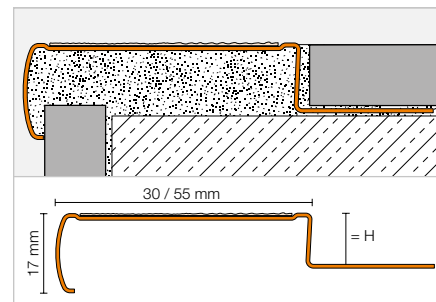
Pour les longueurs de 3 m, compléter la référence avec « /300 » (ex. TE 80/300).

PROFILÉ POUR ESCALIER

Schlüter®-TREP-G/-GL



Schlüter-TREP-G est un profilé en acier inoxydable brossé pour escaliers avec une surface non-glissante, collée et interchangeable. (Fiche produit 3.5)



Schlüter®-TREP-G-B

Acier inox. V2A brossé, large (55 mm), R 11 / PC 20

H (mm)	L = 2,50 m Art.-No.	€ / m	KV (u.)
9	GB EB 90 ...*	47,93	60
11	GB EB 110 ...*	49,99	60
13	GB EB 130 ...*	52,04	60
15	GB EB 150 ...*	54,43	60
L = 1,50 m			
9	GB EB 90 ...*/150	47,93	60
11	GB EB 110 ...*/150	49,99	60
13	GB EB 130 ...*/150	52,04	60
15	GB EB 150 ...*/150	54,43	60
L = 1,00 m			
9	GB EB 90 ...*/100	48,94	60
11	GB EB 110 ...*/100	51,02	60
13	GB EB 130 ...*/100	53,07	60
15	GB EB 150 ...*/100	56,81	60

Schlüter®-TREP-G-S

Acier inox. V2A brossé, étroit (30 mm), R 11 / PC 20

H (mm)	L = 2,50 m Art.-No.	€ / m	KV (u.)
9	GS EB 90 ...*	38,34	60
11	GS EB 110 ...*	40,39	60
13	GS EB 130 ...*	42,78	60
15	GS EB 150 ...*	44,49	60
L = 1,50 m			
9	GS EB 90 ...*/150	38,34	60
11	GS EB 110 ...*/150	40,39	60
13	GS EB 130 ...*/150	42,78	60
15	GS EB 150 ...*/150	44,49	60
L = 1,00 m			
9	GS EB 90 ...*/100	39,36	60
11	GS EB 110 ...*/100	41,43	60
13	GS EB 130 ...*/100	43,81	60
15	GS EB 150 ...*/100	45,53	60

ACCESSOIRES POUR TREP-G-B

Schlüter®-TREP-G-B/EK

Capuchon de fermeture, large

Art.-No.	€ / u.	P (u.)
E/GB EB	2,87	50

Schlüter®-TREP-G-B/KB

Pièce de rechange :
bande autocollante, large, R 11 / PC 20

44 mm x 18,3 m Art.-No.	€ / m	P (Rouleau)
GB KB 183 ...*	8,99	60

Schlüter®-TREP-GL-B/KB

Pièce de rechange :
bande autocollante, large, R 10 / PC 10

44 mm x 6 m Art.-No.	€ / m	P (Rouleau)
GLB KB 60 ...*	10,14	60

ACCESSOIRES POUR TREP-G-S

Schlüter®-TREP-G-S/EK

Capuchon de fermeture, étroit

Art.-No.	€ / u.	P (u.)
E/GS EB	2,54	50

Schlüter®-TREP-G-S/KB

Pièce de rechange :
bande autocollante, étroite, R 11 / PC 20

19 mm x 18,3 m Art.-No.	€ / m	P (Rouleau)
GS KB 183 ...*	5,99	60

Schlüter®-TREP-GL-S/KB

Pièce de rechange :
bande autocollante, étroite, R 10 / PC 10

19 mm x 6 m Art.-No.	€ / m	P (Rouleau)
GLS KB 60 ...*	7,06	60

Schlüter®-TREP-GL-B

Acier inox. V2A brossé, large (55 mm), R 10 / PC 10

H (mm)	L = 2,50 m Art.-No.	€ / m	KV (u.)
9	GLB EB 90 ...*	47,93	60
11	GLB EB 110 ...*	49,99	60
13	GLB EB 130 ...*	52,04	60
15	GLB EB 150 ...*	54,43	60
L = 1,50 m			
9	GLB EB 90 ...*/150	47,93	60
11	GLB EB 110 ...*/150	49,99	60
13	GLB EB 130 ...*/150	52,04	60
15	GLB EB 150 ...*/150	54,43	60
L = 1,00 m			
9	GLB EB 90 ...*/100	48,94	60
11	GLB EB 110 ...*/100	51,02	60
13	GLB EB 130 ...*/100	53,07	60
15	GLB EB 150 ...*/100	56,81	60

Schlüter®-TREP-GL-S

Acier inox. V2A brossé, étroit (30 mm), R 10 / PC 10

H (mm)	L = 2,50 m Art.-No.	€ / m	KV (u.)
9	GLS EB 90 ...*	38,34	60
11	GLS EB 110 ...*	40,39	60
13	GLS EB 130 ...*	42,78	60
15	GLS EB 150 ...*	44,49	60
L = 1,50 m			
9	GLS EB 90 ...*/150	38,34	60
11	GLS EB 110 ...*/150	40,39	60
13	GLS EB 130 ...*/150	42,78	60
15	GLS EB 150 ...*/150	44,49	60
L = 1,00 m			
9	GLS EB 90 ...*/100	39,36	60
11	GLS EB 110 ...*/100	41,43	60
13	GLS EB 130 ...*/100	43,81	60
15	GLS EB 150 ...*/100	45,53	60

Nota :

R 10 / R 11 = classe de résistance à la glissance selon la norme DIN 51130.
Pour la France, correspondance avec la norme NF P 05-011 : R 10 = PC 10 et R 11 = PC 20.

Art.-No. à compléter avec la couleur
(exemple : GLS KB 60 T)



* Coloris : GS - T





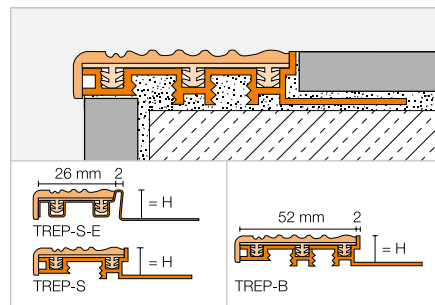
PROFILÉ POUR ESCALIER

Schlüter®-TREP-S/-B



Schlüter-TREP-S/-B sont des profilés en aluminium ou en acier inoxydable, comportant une surface de marche encastrée, interchangeable, en matériau synthétique non-glissant. Ils sont proposés au choix avec une surface de marche large (TREP-B) ou étroite (TREP-S).

(Fiche produit 3.2)



Schlüter®-TREP-B

Profilé en alu., large (52 mm), R 9 / PC 6

H (mm)	L = 2,50 m Art.-No.	€ / m	KV (u.)
8	...* 8 B	24,48	60
10	...* 10 B	25,97	60
12,5	...* 12 B	27,12	60
15	...* 15 B	28,60	60
25	...* 25 B	29,28	60
L = 1,50 m			
8	...* 8 B/150	24,48	60
10	...* 10 B/150	25,97	60
12,5	...* 12 B/150	27,12	60
15	...* 15 B/150	28,60	60
25	...* 25 B/150	29,28	60
L = 1,00 m			
8	...* 8 B/100	25,28	60
10	...* 10 B/100	26,79	60
12,5	...* 12 B/100	27,99	60
15	...* 15 B/100	29,42	60
25	...* 25 B/100	30,08	60

Schlüter®-TREP-S

Profilé en alu., étroit (26 mm), R 9 / PC 6

H (mm)	L = 2,50 m Art.-No.	€ / m	KV (u.)
8	...* 8 S	17,55	60
10	...* 10 S	18,06	60
12,5	...* 12 S	18,81	60
L = 1,50 m			
8	...* 8 S/150	17,55	60
10	...* 10 S/150	18,06	60
12,5	...* 12 S/150	18,81	60
L = 1,00 m			
8	...* 8 S/100	18,48	60
10	...* 10 S/100	18,90	60
12,5	...* 12 S/100	19,61	60

Nota :

R 9 = classe de résistance à la glissance selon la norme DIN 51130. Pour la France, correspondance avec la norme NF P 05-011 : R 9 = PC 6.

Schlüter®-TREP-S-E

Profilé en acier inox. V2A, étroit (26 mm), R 9 / PC 6

H (mm)	L = 2,50 m Art.-No.	€ / m	KV (u.)
8	...* 8 SE	24,59	60
10	...* 10 SE	25,34	60
12,5	...* 12 SE	26,07	60
L = 1,50 m			
8	...* 8 SE/150	24,59	60
10	...* 10 SE/150	25,34	60
12,5	...* 12 SE/150	26,07	60
L = 1,00 m			
8	...* 8 SE/100	25,49	60
10	...* 10 SE/100	26,16	60
12,5	...* 12 SE/100	27,02	60

Schlüter®-TREP-TAP

Profilé de recouvrement

B (mm)	L = 2,50 m Art.-No.	€ / m	KV (u.)
50	TAP 50 AE	12,72	60
L = 1,50 m			
50	TAP 50 AE/150	12,72	60
L = 1,00 m			
50	TAP 50 AE/100	12,72	60

Schlüter®-TREP-TAP-R

Profilé de recouvrement, strié en aluminium anodisé

B (mm)	L = 2,50 m Art.-No.	€ / m	KV (u.)
61	TAP R61 AE	13,24	60
L = 1,50 m			
61	TAP R61 AE/150	13,24	60

ACCESSOIRES POUR TREP-B

Schlüter®-TREP-B/EK

Capuchon de fermeture, large (52 mm)

Art.-No.	€ / u.	P (u.)
E 52 / ...*	1,86	50

Schlüter®-TREP-B/EL

Pièce de rechange :
élément de remplacement, large (52 mm)

L = 2,50 m Art.-No.	€ / m	KV (u.)
PE 52 / ...*	6,79	60

ACCESSOIRES POUR TREP-S/-S-E

Schlüter®-TREP-S/EK

Capuchon de fermeture, étroit (26 mm)

Art.-No.	€ / u.	P (u.)
E 26 / ...*	1,13	50

Schlüter®-TREP-S/EL

Pièce de rechange :
élément de remplacement, étroit (26 mm)

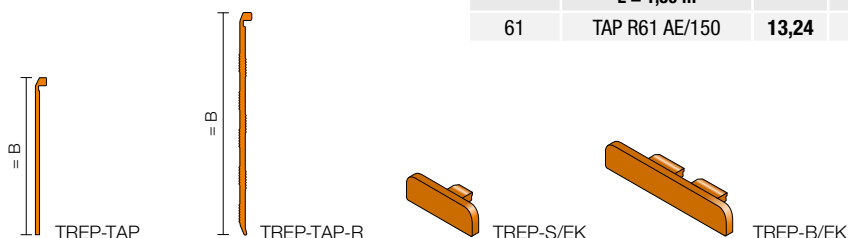
L = 2,50 m Art.-No.	€ / m	KV (u.)
PE 26 / ...*	5,76	60



Art.-No. à compléter avec la couleur
(exemple : PE 26 / HB)



* Coloris : CG - G - GS - HB - NB

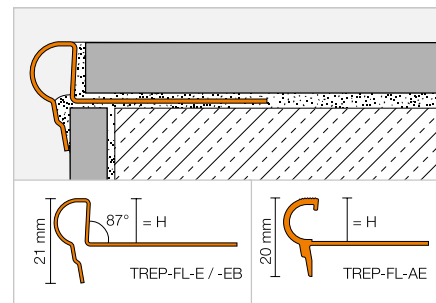


PROFILÉ POUR ESCALIER

Schlüter®-TREP-FL



Schlüter-TREP-FL est un profilé de forme florentine pour nez de marches, fabriqué en aluminium avec un relief non-glissant ou en acier inoxydable V2A, pour une réalisation sûre et esthétique d'escaliers recouverts de carreaux ou de dalles en pierre naturelle. (Fiche produit 3.4)



Schlüter®-TREP-FL-AE

Alu. naturel anodisé mat

H (mm)	L = 2,50 m Art.-No.	€ / m	KV (u.)
9	FL 90 AE	14,61	60
11	FL 110 AE	14,61	60
12,5	FL 125 AE	14,61	60
L = 1,50 m			
9	FL 90 AE/150	14,61	60
11	FL 110 AE/150	14,61	60
12,5	FL 125 AE/150	14,61	60
L = 1,00 m			
9	FL 90 AE/100	15,31	60
11	FL 110 AE/100	15,31	60
12,5	FL 125 AE/100	15,31	60

Schlüter®-TREP-FL-E

Acier inox. V2A

H (mm)	L = 2,50 m Art.-No.	€ / m	KV (u.)
9	FL 90 E	19,68	60
11	FL 110 E	19,68	60
12,5	FL 125 E	19,68	60
L = 1,50 m			
9	FL 90 E/150	19,68	60
11	FL 110 E/150	19,68	60
12,5	FL 125 E/150	19,68	60
L = 1,00 m			
9	FL 90 E/100	20,39	60
11	FL 110 E/100	20,39	60
12,5	FL 125 E/100	20,39	60

Schlüter®-TREP-FL-EB

Acier inox. V2A brossé

H (mm)	L = 2,50 m Art.-No.	€ / m	KV (u.)
9	FL 90 EB	24,60	60
11	FL 110 EB	24,60	60
12,5	FL 125 EB	24,60	60
L = 1,50 m			
9	FL 90 EB/150	24,60	60
11	FL 110 EB/150	24,60	60
12,5	FL 125 EB/150	24,60	60
L = 1,00 m			
9	FL 90 EB/100	25,43	60
11	FL 110 EB/100	25,43	60
12,5	FL 125 EB/100	25,43	60

Pour les longueurs de 3 m, compléter la référence avec « /300 » (ex. FL 90 AE/300).

CAPUCHON DE FERMETURE

Schlüter®-TREP-FL-AE/EK

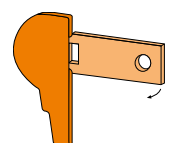
Capuchon de fermeture alu. naturel anodisé mat

Art.-No.	€ / u.	P (u.)
E / FL AE	2,20	50

Schlüter®-TREP-FL-EB/EK*

Capuchon de fermeture acier inox. V2A brossé

Art.-No.	€ / u.	P (u.)
E / FL EB	2,26	50



* Convient pour Schlüter-TREP-FL-E et -EB.

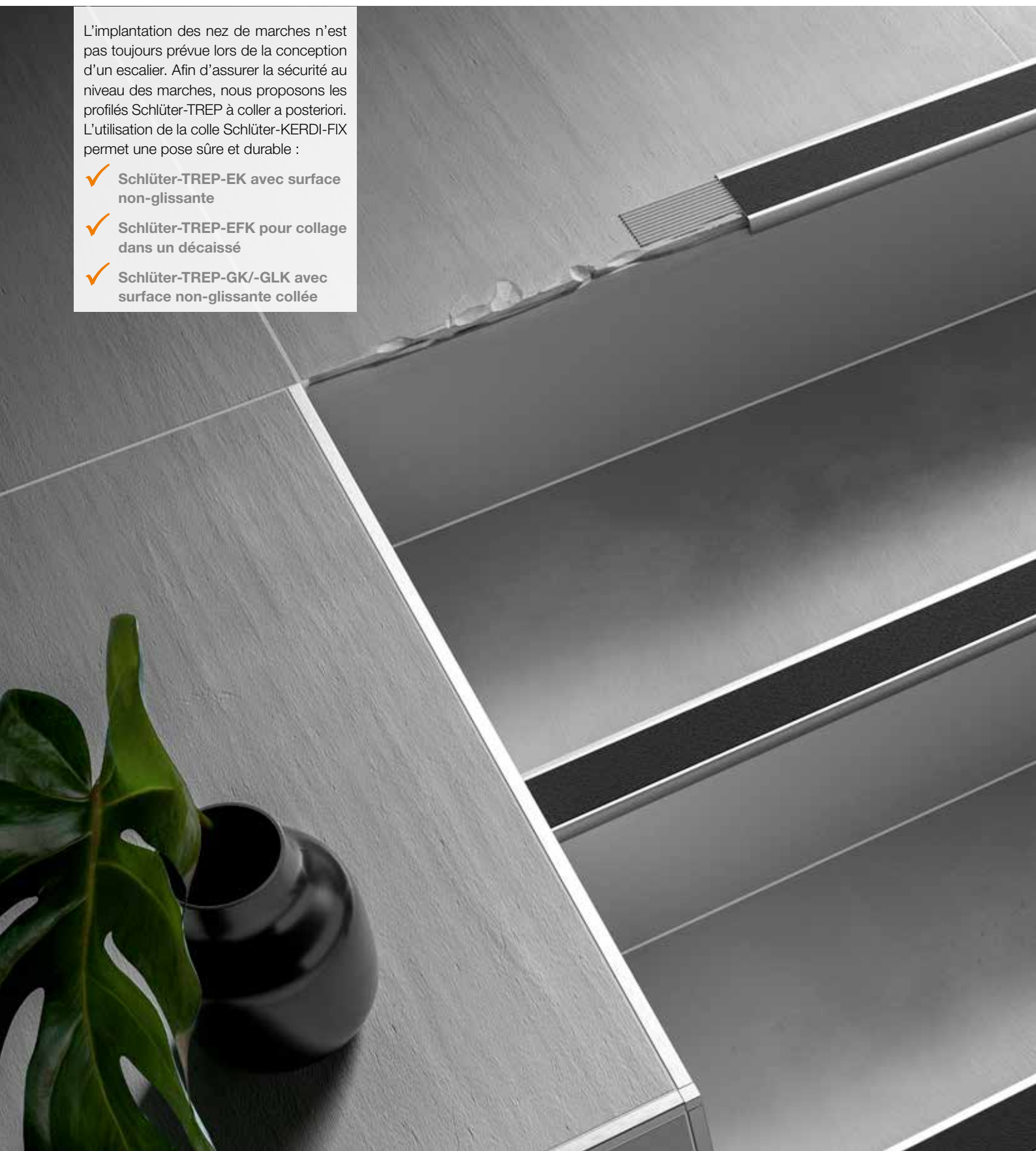


Schlüter®-TREP

La sécurité pour des marches déjà carrelées

L'implantation des nez de marches n'est pas toujours prévue lors de la conception d'un escalier. Afin d'assurer la sécurité au niveau des marches, nous proposons les profilsés Schlüter-TREP à coller a posteriori. L'utilisation de la colle Schlüter-KERDI-FIX permet une pose sûre et durable :

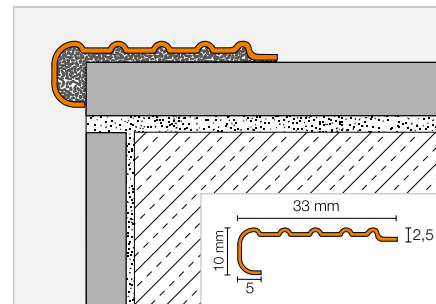
- ✓ Schlüter-TREP-EK avec surface non-glissante
- ✓ Schlüter-TREP-EFK pour collage dans un décaissé
- ✓ Schlüter-TREP-GK/-GLK avec surface non-glissante collée



PROFILÉ POUR ESCALIER

Schlüter®-TREP-EK


Schlüter-TREP-EK est un profilé en acier inoxydable V2A pour nez de marches, présentant un relief non-glissant pour une réalisation sûre et esthétique des escaliers. Il se colle ultérieurement sur des marches en céramique ou en pierre naturelle.
(Fiche produit 3.3)


Schlüter®-TREP-EK

Acier inox. V2A, R 10 / PC 10

L = 2,50 m Art.-No.	€ / m	KV (u.)
TEK	15,34	60

Schlüter®-TREP-EK

Acier inox. V2A, R 10 / PC 10

L = 1,50 m Art.-No.	€ / m	KV (u.)
TEK/150	15,34	60

Schlüter®-TREP-EK

Acier inox. V2A, R 10 / PC 10

L = 1,00 m Art.-No.	€ / m	KV (u.)
TEK/100	16,15	60

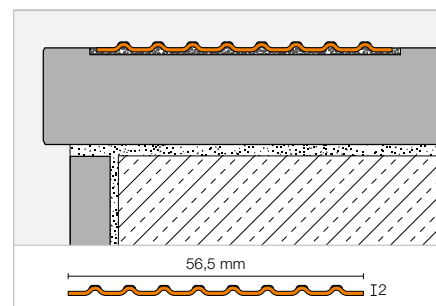
Nota :

R 10 = classe de résistance à la glissance selon la norme DIN 51 130.

PROFILÉ POUR ESCALIER

Schlüter®-TREP-EFK


Schlüter-TREP-EFK est un profilé en acier inoxydable V4A pour nez de marches, présentant un relief non-glissant pour une réalisation sûre et esthétique des escaliers. Il peut se coller à l'aide de colle de montage directement sur les marches, ou dans un décaissé réalisé à cet effet.
(Fiche produit 3.3)


Schlüter®-TREP-EFK

Acier inox. V4A, R 10 / PC 10

L = 2,50 m Art.-No.	€ / m	KV (u.)
TEF 56K/V4A	21,33	60

Nota :

R 10 = classe de résistance à la glissance selon la norme DIN 51 130.



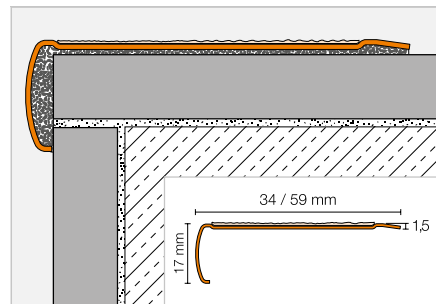
PROFILÉ POUR ESCALIER

Schlüter®-TREP-GK/-GLK



Schlüter-TREP-GK/-GLK est un profilé en acier inoxydable V2A brossé pour escaliers avec une surface non-glissante, collée et interchangeable. Il se colle ultérieurement sur des marches en céramique ou en pierre naturelle.

(Fiche produit 3.5)



Schlüter®-TREP-GK-B

Acier inox. V2A brossé, large (59 mm), R 11 / PC 20

L = 2,50 m Art.-No.	€/ m	KV (u.)
GB EBK ...*	41,08	60
L = 1,50 m		
GB EBK ...*/150	41,08	60
L = 1,00 m		
GB EBK ...*/100	42,11	60

Schlüter®-TREP-GK-S

Acier inox. V2A brossé, étroit (34 mm), R 11 / PC 20

L = 2,50 m Art.-No.	€/ m	KV (u.)
GS EBK ...*	33,54	60
L = 1,50 m		
GS EBK ...*/150	33,54	60
L = 1,00 m		
GS EBK ...*/100	34,57	60

ACCESSOIRES POUR TREP-GK-B

Schlüter®-TREP-G-B/KB

Pièce de rechange :
bande autocollante, large, R 11 / PC 20

44 mm x 18,3 m Art.-No.	€/ m	P (Rouleau)
GB KB 183 ...*	8,99	60

Schlüter®-TREP-GL-B/KB

Pièce de rechange :
bande autocollante, large, R 10 / PC 10

44 mm x 6 m Art.-No.	€/ m	P (Rouleau)
GLB KB 60 ...*	10,14	60

ACCESSOIRES POUR TREP-GK-S

Schlüter®-TREP-G-S/KB

Pièce de rechange :
bande autocollante, étroite, R 11 / PC 20

19 mm x 18,3 m Art.-No.	€/ m	P (Rouleau)
GS KB 183 ...*	5,99	60

Schlüter®-TREP-GL-S/KB

Pièce de rechange :
bande autocollante, étroite, R 10 / PC 10

19 mm x 6 m Art.-No.	€/ m	P (Rouleau)
GLS KB 60 ...*	7,06	60

Schlüter®-TREP-GLK-B

Acier inox. V2A brossé, large (59 mm), R 10 / PC 10

L = 2,50 m Art.-No.	€/ m	KV (u.)
GLB EBK ...*	41,08	60
L = 1,50 m		
GLB EBK ...*/150	41,08	60
L = 1,00 m		
GLB EBK ...*/100	42,11	60

Schlüter®-TREP-GLK-S

Acier inox. V2A brossé, étroit (34 mm), R 10 / PC 10

L = 2,50 m Art.-No.	€/ m	KV (u.)
GLS EBK ...*	33,54	60
L = 1,50 m		
GLS EBK ...*/150	33,54	60
L = 1,00 m		
GLS EBK ...*/100	34,57	60

Nota :

R 10 / R 11 = classe de résistance à la glissance selon la norme DIN 51130.

Pour la France, correspondance avec la norme NF P 05-011 : R 10 = PC 10 et R 11 = PC 20.

Art.-No. à compléter avec la couleur (exemple : GLS KB 60 T)



* Coloris : GS - T

Vous trouverez un récapitulatif des finitions et des couleurs à partir de la page 293.

COLLE DE MONTAGE

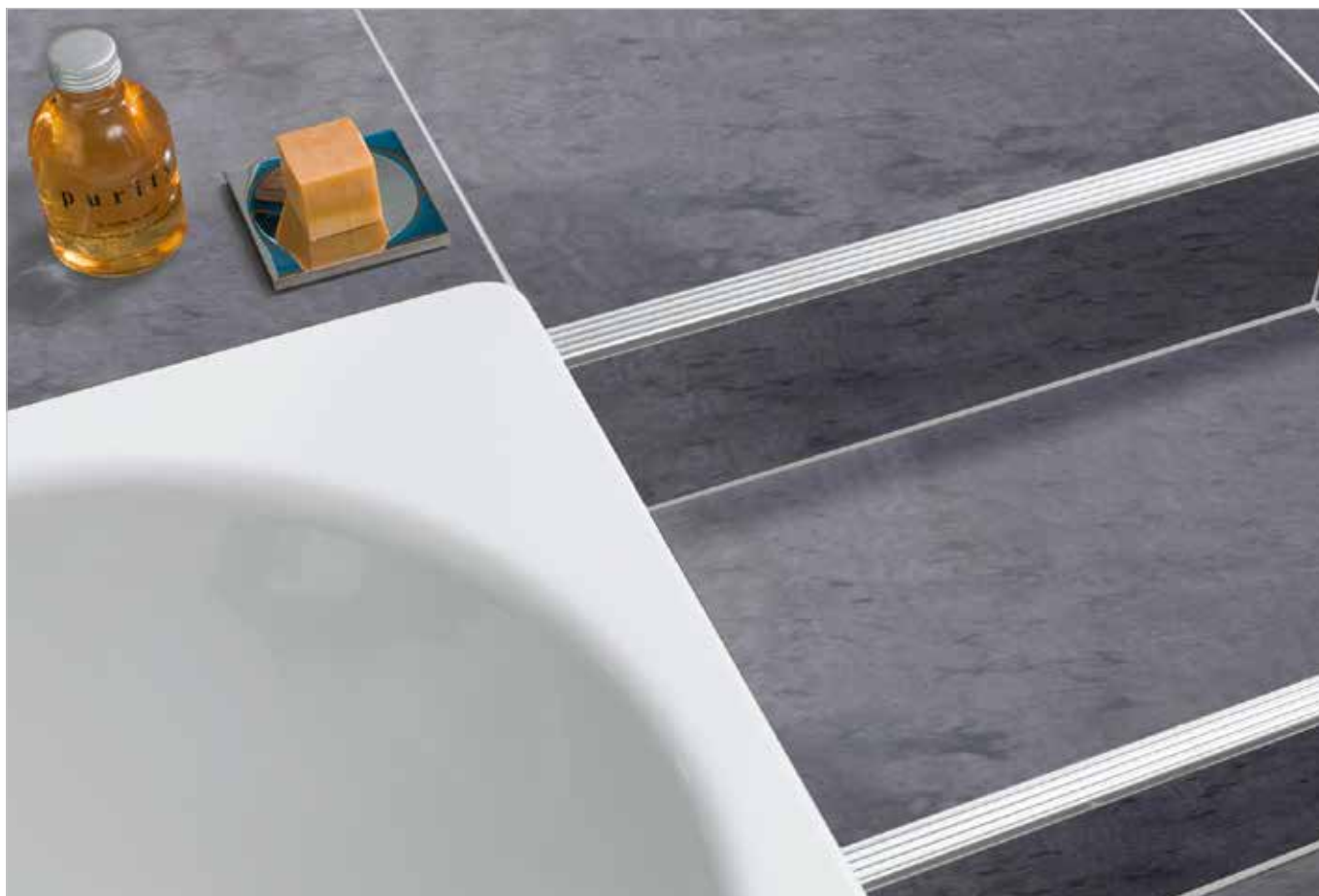
Schlüter®-KERDI-FIX


Schlüter-KERDI-FIX est une colle élastique à base de polymère MS. Elle convient pour le collage de certains profilés, pour l'étanchéité des points singuliers avec les bandes Schlüter-KERDI-KEBA, notamment sur les surfaces en acier inoxydable, et pour l'assemblage des panneaux Schlüter-KERDI-BOARD. (Fiche produit 8.3)


Schlüter®-KERDI-FIX

Polymère MS

Volume (ml)	Art.-No.	€ / u.	P (u.)
290	KERDIFIX / BW	20,58	12
290	KERDIFIX / G	20,58	12

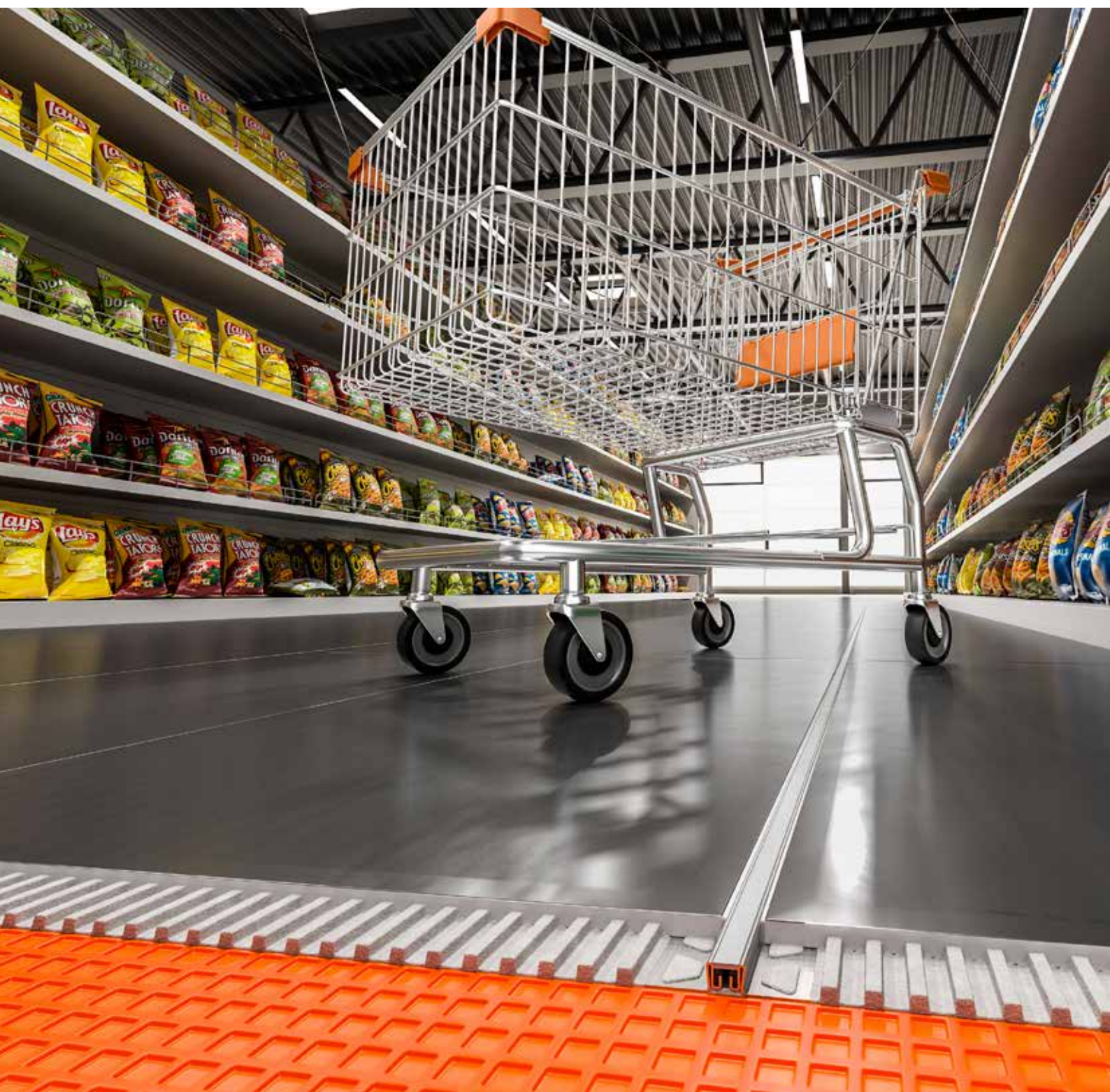




Profils Schlüter

Profils périphériques, profils de fractionnement et couvre-joints de dilatation

Avec les profils de la gamme Schlüter-DILEX, nous proposons des solutions fonctionnelles et faciles d'entretien pour tous les joints de mouvements des revêtements carrelés. La gamme présente différents types de profils pour les joints structuraux, les joints de fractionnement, les joints périphériques. Tous les profils sont mis en œuvre lors de la pose des carreaux. Nos profils Schlüter-DILEX sont disponibles en différents matériaux en fonction des sollicitations mécaniques ou chimiques auxquelles le revêtement risque d'être exposé.



Profilés pour joints de mouvements

Schlüter®-DILEX-EDP	92
Schlüter®-DILEX-KS	93
Schlüter®-DILEX-EKSB	94
Schlüter®-DILEX-AKWS	94
Schlüter®-DILEX-BWB	96
Schlüter®-DILEX-BWS	96
Schlüter®-DILEX-EMP	118
Schlüter®-DILEX-EP	120

Profilés de décoration

Schlüter®-DILEX-EZ 6 + 9	97
Schlüter®-DILEX-EZ 70	120

Couvre-joints de dilatation

Schlüter®-DILEX-BT	97
Schlüter®-DILEX-BTO	98
Schlüter®-DILEX-BTS	98
Schlüter®-DILEX-BT/MT	99
Schlüter®-DILEX-BT/OT	99
Schlüter®-RENO-VT	99
Schlüter®-DILEX-BT/VTS	99
Schlüter®-DILEX-KSBT	100

Profilés de raccordement

Schlüter®-DILEX-KSA	103
Schlüter®-DILEX-BWA	104
Schlüter®-DILEX-AS	104

Profilés d'angle

Schlüter®-DILEX-EF	105
Schlüter®-DILEX-EKE	105

Profilés périphériques

Schlüter®-DILEX-RF	106
Schlüter®-DILEX-EK	107

Profilés à gorge

Schlüter®-DILEX-HK	108
Schlüter®-DILEX-HKW	109
Schlüter®-ECK-KHK	110
Schlüter®-DILEX-HKS	111
Schlüter®-DILEX-HKU	112
Schlüter®-DILEX-EHK	114
Schlüter®-DILEX-AHK-TS	115
Schlüter®-DILEX-AHK	116
Schlüter®-DILEX-AHKA	117

Profilés de fractionnement

Schlüter®-DILEX-MP	119
Schlüter®-DILEX-MOP	119
Schlüter®-DILEX-DFP	121

Accessoires

Schlüter®-DILEX-HVD	121
---------------------	-----



Schlüter®-DILEX

Profilés pour joints de fractionnement en pose collée

Les revêtements carrelés doivent être fractionnés conformément aux règles de l'Art. Avec la gamme Schlüter-DILEX, vous effectuez ce fractionnement grâce à des profilés :

- ✓ Pérennes avec un minimum d'entretien
- ✓ Mis en œuvre directement lors de la pose des carreaux
- ✓ Résistants aux intempéries et à la température
- ✓ Adaptés en intérieur comme en extérieur



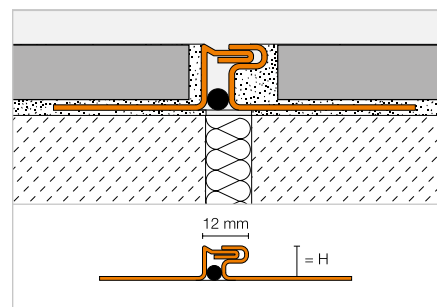
PROFILÉ DE FRACTIONNEMENT

Schlüter®-DILEX-EDP



Schlüter-DILEX-EDP est un profilé de fractionnement pour pose collée, en acier inoxydable, permettant d'absorber des mouvements horizontaux grâce à un assemblage languette et rainure.

(Fiche produit 4.16)



Schlüter®-DILEX-EDP

Acier inox. V2A

H (mm)	L = 2,50 m Art.-No.	€ / m	KV (u.)
8	EDP 80	34,35	40
9	EDP 90	34,87	40
10	EDP 100	35,19	40
11	EDP 110	35,54	40
12,5	EDP 125	36,14	40
14	EDP 140	36,61	40
16	EDP 160	37,47	40
18,5	EDP 185	38,43	40
21	EDP 210	39,28	40
25	EDP 250	40,85	40
30	EDP 300	42,69	40

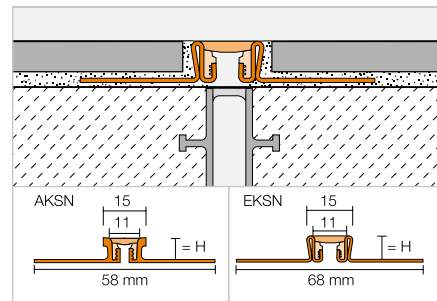
PROFILÉ DE FRACTIONNEMENT

Schlüter®-DILEX-KS



Schlüter-DILEX-KS est un profilé de fractionnement pour pose collée, comportant des ailettes de fixation latérales en aluminium ou en acier inoxydable reliées entre elles par un élément de mouvements interchangeable en matériau synthétique souple.

(Fiche produit 4.8)



Schlüter®-DILEX-AKSN

Aluminium

H (mm)	L = 2,50 m Art.-No.	€ / m	KV (u.)
8	AKSN 80 ...*	18,32	40
10	AKSN 100 ...*	18,90	40
11	AKSN 110 ...*	19,22	40
12,5	AKSN 125 ...*	19,54	40
14	AKSN 140 ...*	20,43	40
16	AKSN 160 ...*	21,91	40

Schlüter®-DILEX-EKSN

Acier inox. V2A

H (mm)	L = 2,50 m Art.-No.	€ / m	KV (u.)
8	EKSN 80 ...*	37,06	40
10	EKSN 100 ...*	37,47	40
11	EKSN 110 ...*	37,84	40
12,5	EKSN 125 ...*	38,68	40
14	EKSN 140 ...*	39,34	40
16	EKSN 160 ...*	40,44	40
18,5	EKSN 185 ...*	41,44	40
21	EKSN 210 ...*	42,52	40
25	EKSN 250 ...*	44,56	40
30	EKSN 300 ...*	46,52	40

Schlüter®-DILEX-EKSN V4A

Acier inox. V4A

H (mm)	L = 2,50 m Art.-No.	€ / m	KV (u.)
8	EKSN 80 ...* / V4A	40,74	40
10	EKSN 100 ...* / V4A	41,25	40
11	EKSN 110 ...* / V4A	41,76	40
12,5	EKSN 125 ...* / V4A	42,52	40
14	EKSN 140 ...* / V4A	43,27	40
16	EKSN 160 ...* / V4A	44,46	40

ACCESSOIRES

Schlüter®-DILEX-KS/EL

Pièce de rechange : élément de remplacement

L = 2,50 m Art.-No.	€ / m	KV (u.)
KSE / ...*	4,28	40



KS/EL

Schlüter®-DILEX-KS/K

Raccord en croix (150 x 150 mm)

Art.-No.	€ / u.	P (u.)
KS EK / ...*	19,25	50

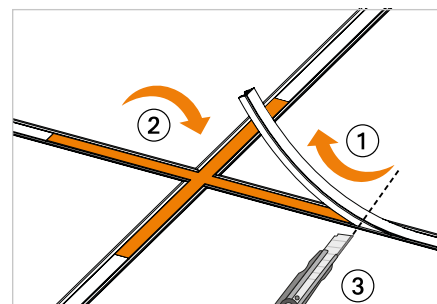
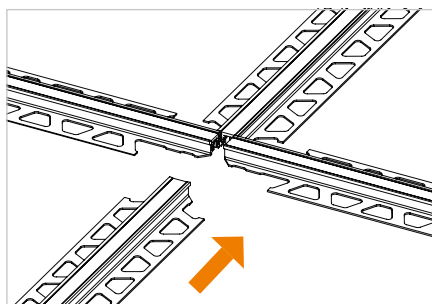
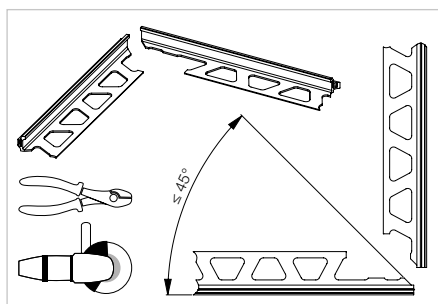


Art.-No. à compléter avec la couleur (exemple : KSE / PG)



* Coloris : C - DA - FG - G - GS - HB - PG - SG

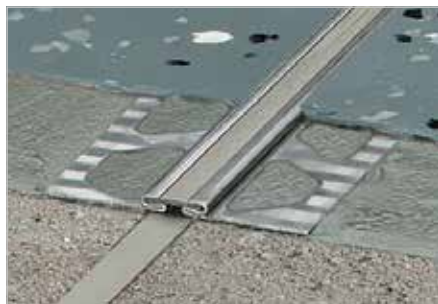
Vous trouverez un récapitulatif des finitions et des couleurs à partir de la page 293.





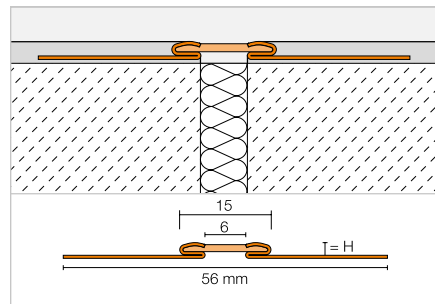
PROFILÉ DE FRACTIONNEMENT

Schlüter®-DILEX-EKSB



Schlüter-DILEX-EKSB est un profilé de fractionnement pour pose collée pour les revêtements de sol de faible épaisseur. Il se compose d'ailettes de fixations latérales en acier inoxydable reliées par un élément de mouvements non interchangeable en plastique souple.

(Fiche produit 4.8)



Schlüter®-DILEX-EKSB

Acier inox. V2A

H (mm)	L = 2,50 m Art.-No.	€ / m	KV (u.)
2,5	EKSB 25 ...*	28,38	40
4,5	EKSB 45 ...*	29,69	40
6	EKSB 60 ...*	30,91	40

Schlüter®-DILEX-EKSB V4A

Acier inox. V4A

H (mm)	L = 2,50 m Art.-No.	€ / m	KV (u.)
2,5	EKSB 25 ...* / V4A	31,19	40
4,5	EKSB 45 ...* / V4A	32,68	40
6	EKSB 60 ...* / V4A	33,99	40

Art.-No. à compléter avec la couleur (exemple : EKSB 25 HB / V4A)



* Coloris : G - GS - HB - PG

Vous trouverez un récapitulatif des finitions et des couleurs à partir de la page 293.

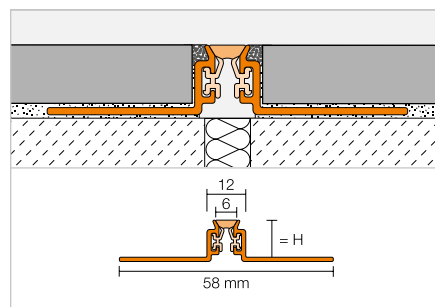
PROFILÉ DE FRACTIONNEMENT

Schlüter®-DILEX-AKWS



Schlüter-DILEX-AKWS est un profilé de fractionnement pour pose collée avec ailettes de fixation latérales en aluminium avec une zone de mouvement en PVC/CPE souple.

(Fiche produit 4.18)



Schlüter®-DILEX-AKWS

Aluminium

H (mm)	L = 2,50 m Art.-No.	€ / m	KV (u.)
8	AKWS 80 ...*	17,24	60
9	AKWS 90 ...*	17,55	60
10	AKWS 100 ...*	17,94	60
11	AKWS 110 ...*	18,12	60
12,5	AKWS 125 ...*	18,48	60
14	AKWS 140 ...*	18,81	60
16	AKWS 160 ...*	19,03	60
21	AKWS 210 ...*	19,71	60

Art.-No. à compléter avec la couleur (exemple : AKWS 80 PG)



* Coloris : G - GS - HB - PG

Vous trouverez un récapitulatif des finitions et des couleurs à partir de la page 293.

Nos profilés de mouvements

Une diversité de couleurs

La gamme de profilés Schlüter-DILEX propose une multitude de solutions intelligentes pour tous ceux qui souhaitent réaliser des joints de mouvements durables et ne nécessitant pas d'entretien. Selon les profilés, les éléments de mouvements sont disponibles dans 10 couleurs. La gamme comprend aussi bien du gris pastel classique que la couleur sable, en passant par un gris anthracite tendance, et garantit ainsi des joints particulièrement discrets.



BW
blanc brillant

SP
pêche satiné

C
sable

HB
beige clair

PG
gris pastel

SG
gris pierre

G
gris

FG
gris joint

DA
gris anthracite

GS
noir graphite



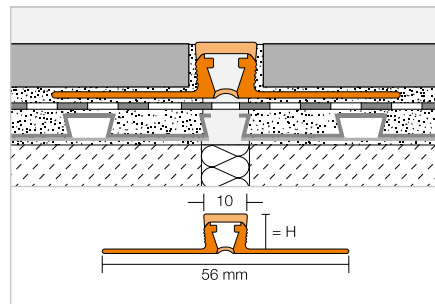
PROFILÉ DE FRACTIONNEMENT

Schlüter®-DILEX-BWB



Schlüter-DILEX-BWB est un profilé de fractionnement pour pose collée avec des parties latérales en matière synthétique, recyclée, rigide. La partie supérieure en CPE souple présente une surface visible de 10 mm de largeur.

(Fiche produit 4.6)



Schlüter®-DILEX-BWB

PVC / CPE

H (mm)	L = 2,50 m Art.-No.	€/ m	KV (u.)
6	BWB 60 ...*	6,40	60
8	BWB 80 ...**	6,52	60
10	BWB 100 ...**	6,66	60
12,5	BWB 125 ...**	6,91	60
15	BWB 150 ...***	7,94	60
20	BWB 200 ...***	8,52	60

Art.-No. à compléter avec la couleur (exemple : BWB 60 G)



* Coloris : BW - C - DA - FG - G - GS - HB - PG - SG

** Coloris : BW - C - DA - FG - G - GS - HB - PG - SG - SP

*** Coloris : G

Vous trouverez un récapitulatif des finitions et des couleurs à partir de la page 293.

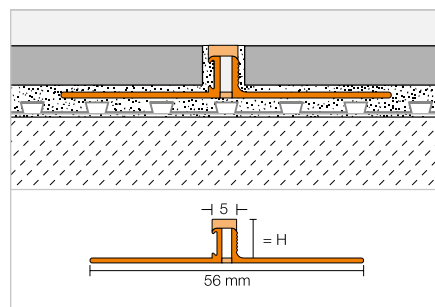
PROFILÉ DE FRACTIONNEMENT

Schlüter®-DILEX-BWS



Schlüter-DILEX-BWS est un profilé de fractionnement pour pose collée avec des parties latérales en matière synthétique, recyclée, rigide. La partie supérieure en CPE souple présente une surface visible de 5 mm de largeur.

(Fiche produit 4.7)



Schlüter®-DILEX-BWS

PVC / CPE

H (mm)	L = 2,50 m Art.-No.	€/ m	KV (u.)
4,5	BWS 45 ...*	5,90	120
6	BWS 60 ...**	5,90	120
8	BWS 80 ...*	5,90	120
9	BWS 90 ...*	6,25	120
10	BWS 100 ...*	6,25	120
11	BWS 110 ...*	6,25	120
12,5	BWS 125 ...*	6,25	120

Art.-No. à compléter avec la couleur (exemple : BWS 45 HB)



* Coloris : BW - C - DA - FG - G - GS - HB - PG - SG - SP

** Coloris : BW - C - DA - FG - G - GS - HB - PG - SG

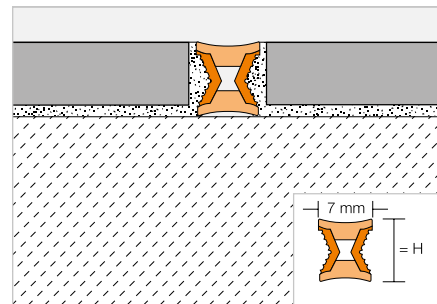
Vous trouverez un récapitulatif des finitions et des couleurs à partir de la page 293.

PROFILÉ DE DÉCORATION

Schlüter®-DILEX-EZ 6 + 9



Schlüter-DILEX-EZ 6 et 9 sont des profilés de décoration conçus pour une présentation décorative des joints. Ils apportent une fonction complémentaire de détente pour les revêtements carrelés ou en pierre naturelle, posés au mortier-colle.
(Fiche produit 4.1)



Schlüter®-DILEX-EZ 6

PVC

H (mm)	L = 2,50 m Art.-No.	€ / m	KV (u.)
6	EZ C/CG 6	4,44	120
6	EZ M/G 6	4,44	120

Schlüter®-DILEX-EZ 9

PVC

H (mm)	L = 2,50 m Art.-No.	€ / m	KV (u.)
9	EZ C/CG 9	4,87	120
9	EZ M/G 9	4,87	120

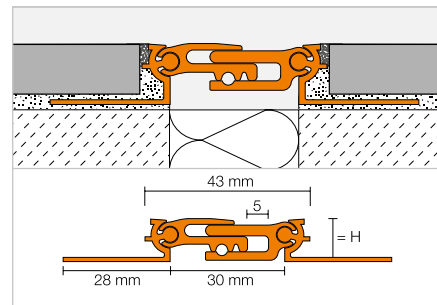
C/CG = liseré chromé / jaune
M/G = liseré laiton / gris

COUVRE-JOINT DE DILATATION

Schlüter®-DILEX-BT



Schlüter-DILEX-BT est un profilé couvre-joint de dilatation en aluminium avec des éléments constitutifs coulissants les uns dans les autres, permettant d'absorber des mouvements tridimensionnels.
(Fiche produit 4.20)



Schlüter®-DILEX-BT-A

Aluminium

H (mm)	L = 2,50 m Art.-No.	€ / m	KV (u.)
8	ABT 80	35,50	40
10	ABT 100	35,99	40
12,5	ABT 125	36,86	40
15	ABT 150	37,23	40
17,5	ABT 175	37,77	40
20	ABT 200	38,93	40

Schlüter®-DILEX-BT-AE

Alu. naturel anodisé mat

H (mm)	L = 2,50 m Art.-No.	€ / m	KV (u.)
8	AEBT 80	49,93	40
10	AEBT 100	50,75	40
12,5	AEBT 125	51,73	40
15	AEBT 150	52,56	40
17,5	AEBT 175	53,61	40
20	AEBT 200	56,32	40

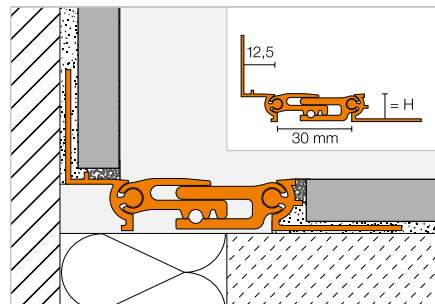


COUVRE-JOINT DE DILATATION

Schlüter®-DILEX-BTO



Schlüter-DILEX-BTO est un profilé couvre-joint de dilatation en aluminium pour les transitions sol/murs, avec des éléments constitutifs coulissants les uns dans les autres, permettant d'absorber des mouvements tridimensionnels.
(Fiche produit 4.20)



Schlüter®-DILEX-BTO-A

Aluminium

H (mm)	L = 2,50 m Art.-No.	€ / m	KV (u.)
8	ABT 80/0 125	36,40	40
10	ABT 100/0 125	36,66	40
12,5	ABT 125/0 125	37,03	40
15	ABT 150/0 125	37,23	40
17,5	ABT 175/0 125	37,50	40
20	ABT 200/0 125	38,12	40

Schlüter®-DILEX-BTO-AE

Alu. naturel anodisé mat

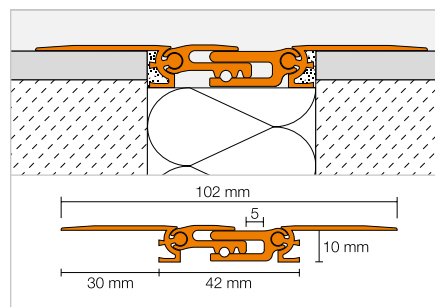
H (mm)	L = 2,50 m Art.-No.	€ / m	KV (u.)
8	AEBT 80/0 125	51,53	40
10	AEBT 100/0 125	51,90	40
12,5	AEBT 125/0 125	52,41	40
15	AEBT 150/0 125	52,81	40
17,5	AEBT 175/0 125	53,38	40
20	AEBT 200/0 125	54,72	40

COUVRE-JOINT DE DILATATION

Schlüter®-DILEX-BTS



Schlüter-DILEX-BTS est un profilé couvre-joint de dilatation en aluminium pour le montage ultérieur dans des revêtements déjà réalisés. Les éléments constitutifs coulissant les uns dans les autres, permettent d'absorber des mouvements tridimensionnels.
(Fiche produit 4.20)



Schlüter®-DILEX-BTS-A

Aluminium

H (mm)	L = 2,50 m Art.-No.	€ / m	KV (u.)
10	ABTS 100	36,86	60

Schlüter®-DILEX-BTS-AE

Alu. naturel anodisé mat

H (mm)	L = 2,50 m Art.-No.	€ / m	KV (u.)
10	AEBTS 100	51,73	60

COUVRE-JOINT DE DILATATION

Schlüter®-DILEX-BT/MT

Schlüter-DILEX-BT/MT est la partie centrale du couvre-joint de dilatation et peut être combiné au choix avec Schlüter-DILEX-BT/OT ou -RENO-VT dans toutes les dimensions.

(Fiche produit 4.20)

Schlüter®-DILEX-BT-A/MT

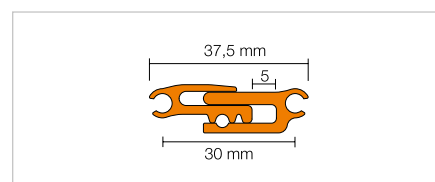
Partie centrale
alu.

B (mm)	L = 2,50 m Art.-No.	€ / m	KV (u.)
37,5	ABT 30 MT	19,40	60

Schlüter®-DILEX-BT-AE/MT

Partie centrale
alu. naturel anodisé mat

B (mm)	L = 2,50 m Art.-No.	€ / m	KV (u.)
37,5	AEBT 30 MT	28,51	60



Schlüter®-DILEX-BT/OT

Schlüter-DILEX-BT/OT est le profilé-support côté mur du couvre-joint de dilatation. Il peut être combiné à volonté avec Schlüter-DILEX-BT/MT et -RENO-VT dans toutes les dimensions.

(Fiche produit 4.20)

Schlüter®-DILEX-BT-A/OT

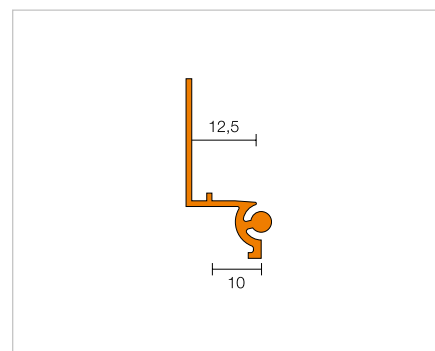
Profilé de raccordement au mur
alu.

H (mm)	L = 2,50 m Art.-No.	€ / m	KV (u.)
12,5	ABTO 125	7,28	60

Schlüter®-DILEX-BT-AE/OT

Profilé de raccordement au mur
alu. naturel anodisé mat

H (mm)	L = 2,50 m Art.-No.	€ / m	KV (u.)
12,5	AEBTO 125	10,10	60



Schlüter®-RENO-VT

Schlüter-RENO-VT est le profilé-support côté sol du couvre-joint de dilatation. Il peut être combiné à volonté avec Schlüter-DILEX-BT/MT et -BT/OT dans toutes les dimensions.

(Fiche produit 1.7)

Schlüter®-RENO-AVT

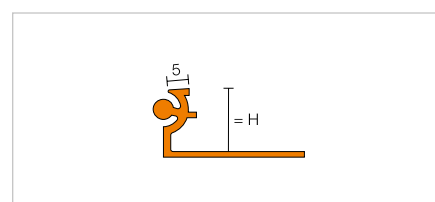
Profilé porteur
en aluminium

H (mm)	L = 2,50 m Art.-No.	€ / m	KV (u.)
8	AVT 80	6,57	60
10	AVT 100	6,92	60
12,5	AVT 125	7,28	60
15	AVT 150	7,48	60
17,5	AVT 175	7,80	60
20	AVT 200	8,38	60

Schlüter®-RENO-AEVT

Profilé porteur
en alu. naturel anodisé mat

H (mm)	L = 2,50 m Art.-No.	€ / m	KV (u.)
8	AEVT 80	8,78	60
10	AEVT 100	9,22	60
12,5	AEVT 125	9,68	60
15	AEVT 150	10,22	60
17,5	AEVT 175	10,67	60
20	AEVT 200	12,09	60



Nota :

Le profilé VT s'utilise aussi avec la gamme de profilés Schlüter-RENO-V en tant que profilé-support variable (voir page 21).

Schlüter®-DILEX-BT/VTS

Schlüter-DILEX-BT/VTS est le profilé-support de rénovation du couvre-joint de dilatation et peut être combiné avec Schlüter-DILEX-BT/MT.

(Fiche produit 4.20)

Schlüter®-DILEX-BT-A/VTS

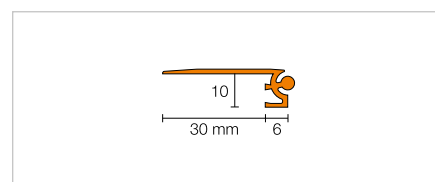
Profilé-support pour rénovation
en alu.

H (mm)	L = 2,50 m Art.-No.	€ / m	KV (u.)
10	AVTS 100	7,28	60

Schlüter®-DILEX-BT-AE/VTS

Profilé-support pour rénovation
en alu. naturel anodisé mat

H (mm)	L = 2,50 m Art.-No.	€ / m	KV (u.)
10	AEVTS 100	9,68	60



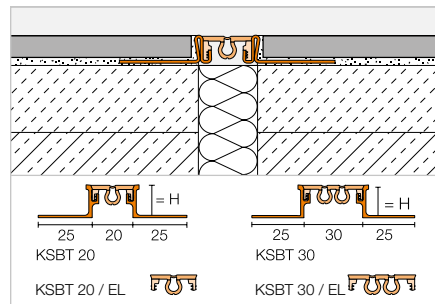


COUVRE-JOINT DE DILATATION

Schlüter®-DILEX-KSBT



Schlüter-DILEX-KSBT est un profilé couvre-joint de dilatation en aluminium ou en acier inoxydable V2A ou V4A, avec une zone de déformation interchangeable de 20 ou 30 mm de largeur en caoutchouc synthétique souple. (Fiche produit 4.19)



Schlüter®-DILEX-AKSBT 20

Aluminium

H (mm)	L = 2,50 m Art.-No.	€ / m	KV (u.)
8	AKS 80 BT 20 ...*	20,22	40
10	AKS 100 BT 20 ...*	20,79	40
11	AKS 110 BT 20 ...*	21,05	40
12,5	AKS 125 BT 20 ...*	21,44	40
14	AKS 140 BT 20 ...*	22,32	40

Schlüter®-DILEX-EKSBT 20

Acier inox. V2A

H (mm)	L = 2,50 m Art.-No.	€ / m	KV (u.)
8	KS V2A 80 BT 20 ...*	38,99	40
10	KS V2A 100 BT 20 ...*	39,41	40
11	KS V2A 110 BT 20 ...*	40,20	40
12,5	KS V2A 125 BT 20 ...*	40,57	40
14	KS V2A 140 BT 20 ...*	41,29	40
16	KS V2A 160 BT 20 ...*	42,38	40
18,5	KS V2A 185 BT 20 ...*	43,37	40
21	KS V2A 210 BT 20 ...*	44,47	40
25	KS V2A 250 BT 20 ...*	46,52	40
30	KS V2A 300 BT 20 ...*	48,43	40

Schlüter®-DILEX-EKSBT 20 V4A

Acier inox. V4A

H (mm)	L = 2,50 m Art.-No.	€ / m	KV (u.)
8	KS V4A 80 BT 20 ...*	42,90	40
10	KS V4A 100 BT 20 ...*	43,37	40
11	KS V4A 110 BT 20 ...*	44,01	40
12,5	KS V4A 125 BT 20 ...*	44,64	40
14	KS V4A 140 BT 20 ...*	45,41	40
16	KS V4A 160 BT 20 ...*	46,60	40

Schlüter®-DILEX-AKSBT 30

Aluminium

H (mm)	L = 2,50 m Art.-No.	€ / m	KV (u.)
8	AKS 80 BT 30 ...*	22,13	40
10	AKS 100 BT 30 ...*	22,68	40
11	AKS 110 BT 30 ...*	23,13	40
12,5	AKS 125 BT 30 ...*	23,33	40
14	AKS 140 BT 30 ...*	24,24	40

Schlüter®-DILEX-EKSBT 30

Acier inox. V2A

H (mm)	L = 2,50 m Art.-No.	€ / m	KV (u.)
8	KS V2A 80 BT 30 ...*	40,98	40
10	KS V2A 100 BT 30 ...*	41,35	40
11	KS V2A 110 BT 30 ...*	42,09	40
12,5	KS V2A 125 BT 30 ...*	42,52	40
14	KS V2A 140 BT 30 ...*	43,22	40
16	KS V2A 160 BT 30 ...*	44,33	40
18,5	KS V2A 185 BT 30 ...*	45,33	40
21	KS V2A 210 BT 30 ...*	46,44	40
25	KS V2A 250 BT 30 ...*	48,43	40
30	KS V2A 300 BT 30 ...*	50,39	40

Schlüter®-DILEX-EKSBT 30 V4A

Acier inox. V4A

H (mm)	L = 2,50 m Art.-No.	€ / m	KV (u.)
8	KS V4A 80 BT 30 ...*	45,04	40
10	KS V4A 100 BT 30 ...*	45,49	40
11	KS V4A 110 BT 30 ...*	46,12	40
12,5	KS V4A 125 BT 30 ...*	46,79	40
14	KS V4A 140 BT 30 ...*	47,55	40
16	KS V4A 160 BT 30 ...*	48,75	40

Art.-No. à compléter avec la couleur (exemple : KS V4A 80 BT 30 GS)



* Coloris : C - DA - FG - G - GS - HB - SG

Vous trouverez un récapitulatif des finitions et des couleurs à partir de la page 293.

ACCESSOIRES POUR KSBT 20

Schlüter®-DILEX-KSBT 20/K

Raccord en croix (200 x 200 mm)

Art.-No.	€ / u.	P (u.)
KSG 20 K / ...*	20,23	50



Schlüter®-DILEX-KSBT 20/EL

Pièce de rechange : élément de remplacement

L = 2,50 m Art.-No.	€ / m	KV (u.)
KSG 20 ...*	7,00	40

ACCESSOIRES POUR KSBT 30

Schlüter®-DILEX-KSBT 30/K

Raccord en croix (200 x 200 mm)

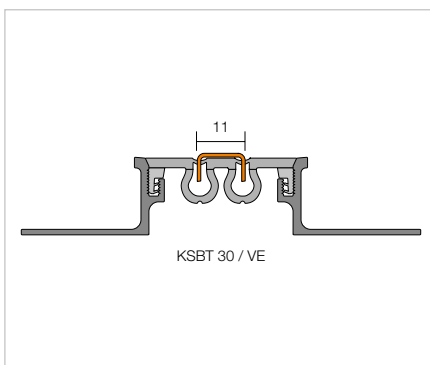
Art.-No.	€ / u.	P (u.)
KSG 30 K / ...*	20,78	50



Schlüter®-DILEX-KSBT 30/VE

Insert acier inox. V2A brossé

L = 2,50 m Art.-No.	€ / m	KV (u.)
KSBT VE	16,69	40



Schlüter®-DILEX-KSBT 30/EL

Pièce de rechange : élément de remplacement

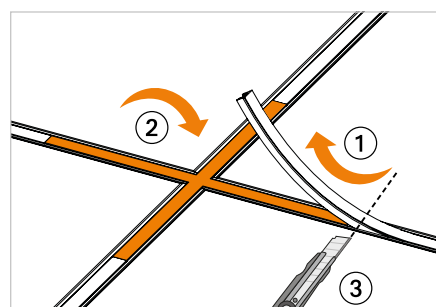
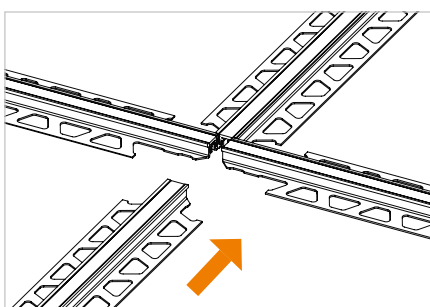
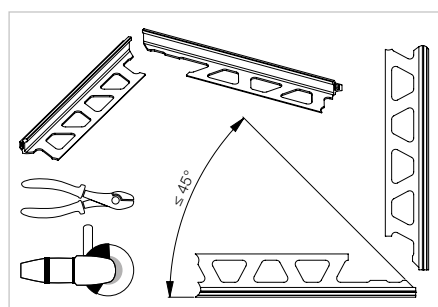
L = 2,50 m Art.-No.	€ / m	KV (u.)
KSG 30 ...*	8,21	40

Art.-No. à compléter avec la couleur (exemple : KSG 30 GS)



* Coloris : C - DA - FG - G - GS - HB - SG

Vous trouverez un récapitulatif des finitions et des couleurs à partir de la page 293.





Profilés de bordure et de liaison

Une finition impeccable

La réalisation de joints de bordure et de liaison est délicate. L'objectif est d'empêcher les tensions dans le revêtement et d'éviter les ponts phoniques. Pour ce faire, Schlüter-Systems propose des profilés :

- ✓ En différents matériaux
- ✓ Avec différents niveaux d'absorption des mouvements
- ✓ Avec des éléments de mouvement interchangeables
- ✓ Avec ou sans gorge creuse
- ✓ Pérennes et ne nécessitant pas d'entretien



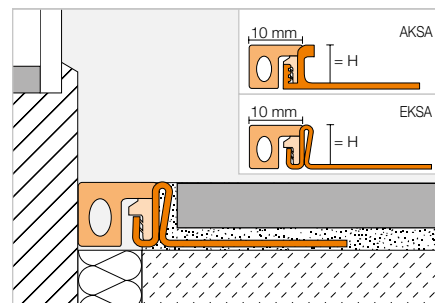
PROFILÉ DE RACCORDEMENT

Schlüter®-DILEX-KSA



Schlüter-DILEX-KSA est un profilé de raccordement avec protection des arêtes, composé d'une ailette de fixation latérale en aluminium ou en acier inoxydable V2A ou V4A reliée à une zone de mouvements interchangeable en matériau synthétique souple. Il permet le raccordement de revêtements aux éléments fixes tels que les huisseries, ou aux revêtements carrelés existants.

(Fiche produit 4.8)



Schlüter®-DILEX-AKSA

Aluminium

H (mm)	L = 2,50 m Art.-No.	€ / m	KV (u.)
8	AKSA 80 ...*	10,96	40
10	AKSA 100 ...*	11,35	40
11	AKSA 110 ...*	11,53	40
12,5	AKSA 125 ...*	11,74	40
14	AKSA 140 ...*	12,29	40

Schlüter®-DILEX-EKSA

Acier inox. V2A

H (mm)	L = 2,50 m Art.-No.	€ / m	KV (u.)
8	EKSA 80 ...*	22,23	40
10	EKSA 100 ...*	22,47	40
11	EKSA 110 ...*	22,82	40
12,5	EKSA 125 ...*	23,19	40
14	EKSA 140 ...*	23,62	40
16	EKSA 160 ...*	24,25	40
18,5	EKSA 185 ...*	24,85	40
21	EKSA 210 ...*	25,51	40
25	EKSA 250 ...*	26,74	40
30	EKSA 300 ...*	27,91	40

Schlüter®-DILEX-EKSA V4A

Acier inox. V4A

H (mm)	L = 2,50 m Art.-No.	€ / m	KV (u.)
8	EKSA 80 ...* / V4A	24,48	40
10	EKSA 100 ...* / V4A	24,74	40
11	EKSA 110 ...* / V4A	25,15	40
12,5	EKSA 125 ...* / V4A	25,51	40
14	EKSA 140 ...* / V4A	25,96	40
16	EKSA 160 ...* / V4A	26,70	40

ACCESSOIRES

Schlüter®-DILEX-KSA/EL

Pièce de rechange : élément de remplacement

L = 2,50 m Art.-No.	€ / m	KV (u.)
KSAE / ...*	4,28	40



Art.-No. à compléter avec la couleur (exemple : KSAE / GS)



* Coloris : G - GS - HB - PG

Vous trouverez un récapitulatif des finitions et des couleurs à partir de la page 293.

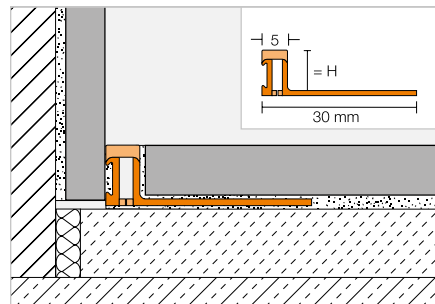


PROFILÉ DE RACCORDEMENT

Schlüter®-DILEX-BWA



Schlüter-DILEX-BWA est un profilé de raccordement en matériau synthétique pour des liaisons avec des revêtements carrelés existants ou des huisseries. La partie supérieure en CPE souple présente une surface visible de 5 mm de largeur.
(Fiche produit 4.9)



Schlüter®-DILEX-BWA

PVC

H (mm)	L = 2,50 m Art.-No.	€ / m	KV (u.)
4,5	BWA 45 ...*	5,84	120
6	BWA 60 ...*	5,90	120
8	BWA 80 ...*	5,96	120
10	BWA 100 ...*	6,12	120
12,5	BWA 125 ...*	6,33	120

Art.-No. à compléter avec la couleur (exemple : BWA 45 G)



* Coloris : BW - C - DA - FG - G - GS - HB - PG - SG

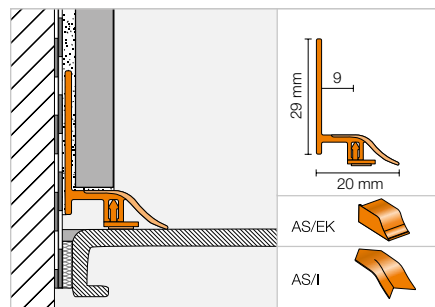
Vous trouverez un récapitulatif des finitions et des couleurs à partir de la page 293.

PROFILÉ DE RACCORDEMENT

Schlüter®-DILEX-AS



Schlüter-DILEX-AS est un profilé de raccordement flexible à rainure et languette pour la liaison entre du carrelage et des éléments fixes (baignoire, bac à douche, huisseries, etc.).
(Fiche produit 4.10)



Schlüter®-DILEX-AS

PVC

L = 2,50 m Art.-No.	€ / m	KV (u.)
AS 20 BW	8,59	90

ANGLE | CAPUCHON DE FERMETURE

Schlüter®-DILEX-AS/I

Angle rentrant 90°

Art.-No.	€ / u.	P (u.)
I / AS 20 BW	1,30	10

Schlüter®-DILEX-AS/EK

Capuchon de fermeture

Art.-No.	€ / Kit	P (kit)
EK / AS 20 BW	2,59	10

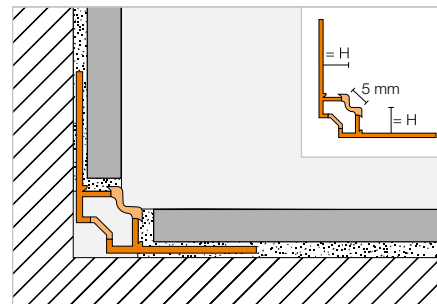
Kit = 1 x gauche, 1 x droite

PROFILÉ D'ANGLE

Schlüter®-DILEX-EF



Schlüter-DILEX-EF est un profilé d'angle en matériau synthétique dur (PVC)/souple (CPE), pour la liaison sol/murs et mur/mur. Ce profilé se pose sur des supports non-flottants.
(Fiche produit 4.13)



Schlüter®-DILEX-EF

PVC / CPE

H (mm)	L = 2,50 m Art.-No.	€ / m	KV (u.)
8	EF 80 ...*	6,38	60
10	EF 100 ...*	6,38	60
12,5	EF 125 ...*	6,38	60
15	EF 150 ...*	6,38	60

Art.-No. à compléter avec la couleur (exemple : EF 80 G)



* Coloris : BW - G - HB - PG - SP

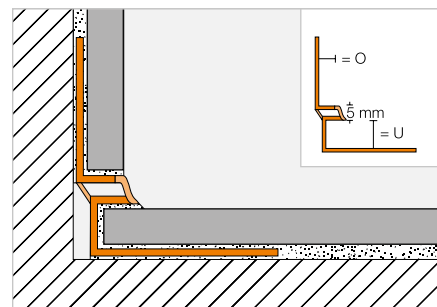
Vous trouverez un récapitulatif des finitions et des couleurs à partir de la page 293.

PROFILÉ D'ANGLE

Schlüter®-DILEX-EKE



Schlüter-DILEX-EKE est un profilé d'angle en matériau synthétique dur (PVC)/souple (CPE), pour la liaison sol/murs et mur/mur. Ce profilé permet de cacher la coupe du carreau et se pose sur des supports non-flottants.
(Fiche produit 4.13)



Schlüter®-DILEX-EKE

PVC / CPE, 0 = mm

U (mm)	L = 2,50 m Art.-No.	€ / m	KV (u.)
8	EKE U 8 / 0 7 ...*	6,38	60
9	EKE U 9 / 0 8 ...*	6,38	60
11	EKE U 11 / 0 10 ...*	6,38	60
13	EKE U 13 / 0 12 ...*	6,38	60
15	EKE U 15 / 0 14 ...*	6,38	60

Art.-No. à compléter avec la couleur (exemple : EKE U 8 / 0 7 G)



* Coloris : BW - G - GS - HB - PG - SP

Vous trouverez un récapitulatif des finitions et des couleurs à partir de la page 293.

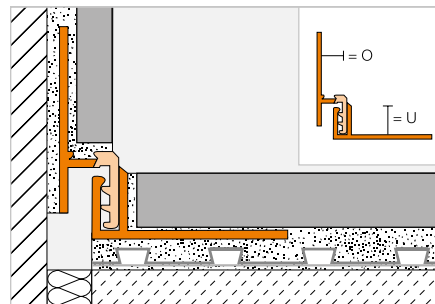


PROFILÉ PÉRIPHÉRIQUE

Schlüter®-DILEX-RF



Schlüter-DILEX-RF est un profilé en deux parties en matériau synthétique dur (PVC)/souple (CPE), avec assemblage à rainure et languette permettant d'absorber les mouvements au niveau des liaisons sol/murs. Adapté aux supports flottants.
(Fiche produit 4.14)



Schlüter®-DILEX-RF

PVC / CPE, O = 8 mm

U (mm)	L = 2,50 m Art.-No.	€ / m	KV (u.)
10	RF U 100 / O 80 ...*	10,96	60
15	RF U 150 / O 80 ...*	10,96	60
18	RF U 180 / O 80 ...*	10,96	60
22	RF U 220 / O 80 ...*	10,96	60
12,5	RF U 125 / O 80 ...*	10,96	60

Schlüter®-DILEX-RF

PVC / CPE, O = 10 mm

U (mm)	L = 2,50 m Art.-No.	€ / m	KV (u.)
10	RF U 100 / O 100 ...*	10,96	60
15	RF U 150 / O 100 ...*	10,96	60
18	RF U 180 / O 100 ...*	10,96	60
22	RF U 220 / O 100 ...*	10,96	60
12,5	RF U 125 / O 100 ...*	10,96	60

Schlüter®-DILEX-RF

PVC / CPE, O = 12,5 mm

U (mm)	L = 2,50 m Art.-No.	€ / m	KV (u.)
10	RF U 100 / O 125 ...*	10,96	60
15	RF U 150 / O 125 ...*	10,96	60
18	RF U 180 / O 125 ...*	10,96	60
22	RF U 220 / O 125 ...*	10,96	60
12,5	RF U 125 / O 125 ...*	10,96	60

Schlüter®-DILEX-RF

PVC / CPE, O = 15 mm

U (mm)	L = 2,50 m Art.-No.	€ / m	KV (u.)
10	RF U 100 / O 150 ...*	10,96	60
15	RF U 150 / O 150 ...*	10,96	60
18	RF U 180 / O 150 ...*	10,96	60
22	RF U 220 / O 150 ...*	10,96	60
12,5	RF U 125 / O 150 ...*	10,96	60

Schlüter®-DILEX-RF

PVC / CPE, O = 18 mm

U (mm)	L = 2,50 m Art.-No.	€ / m	KV (u.)
10	RF U 100 / O 180 ...*	10,96	60
15	RF U 150 / O 180 ...*	10,96	60
18	RF U 180 / O 180 ...*	10,96	60
22	RF U 220 / O 180 ...*	10,96	60
12,5	RF U 125 / O 180 ...*	10,96	60

Art.-No. à compléter avec la couleur (exemple : RF U 100 / O 180 PG)



* Coloris : G - PG

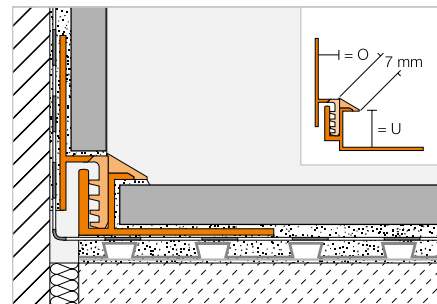
Vous trouverez un récapitulatif des finitions et des couleurs à partir de la page 293.

PROFILÉ PÉRIPHÉRIQUE

Schlüter®-DILEX-EK



Schlüter-DILEX-EK est un profilé en deux parties en matériau synthétique dur (PVC)/souple (CPE), avec assemblage à rainure et languette permettant d'absorber les mouvements au niveau des liaisons sol/murs. Ce profilé permet de cacher la coupe du carreau et se pose sur des supports flottants.
(Fiche produit 4.14)



Schlüter®-DILEX-EK

PVC / CPE, O = 7 mm

U (mm)	L = 2,50 m Art.-No.	€ / m	KV (u.)
8	EK U 8 / 0 7 ...*	10,96	60
11	EK U 11 / 0 7 ...*	10,96	60
15	EK U 15 / 0 7 ...**	10,96	60

Schlüter®-DILEX-EK

PVC / CPE, O = 10 mm

U (mm)	L = 2,50 m Art.-No.	€ / m	KV (u.)
8	EK U 8 / 0 10 ...*	10,96	60
11	EK U 11 / 0 10 ...*	10,96	60
15	EK U 15 / 0 10 ...**	10,96	60

Schlüter®-DILEX-EK

PVC / CPE, O = 14 mm

U (mm)	L = 2,50 m Art.-No.	€ / m	KV (u.)
8	EK U 8 / 0 14 G	10,96	60
11	EK U 11 / 0 14 G	10,96	60
15	EK U 15 / 0 14 G	10,96	60

Art.-No. à compléter avec la couleur (exemple : EK U 8 / 0 10 G)



* Coloris : BW - G - GS - HB - PG

** Coloris : G

Vous trouverez un récapitulatif des finitions et des couleurs à partir de la page 293.

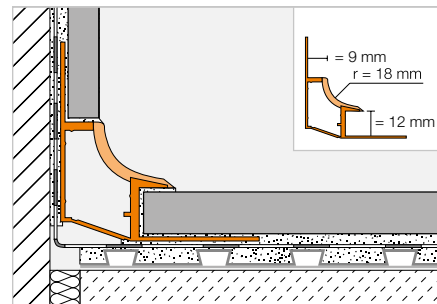


PROFILÉ À GORGE

Schlüter®-DILEX-HK



Schlüter-DILEX-HK est un profilé à gorge en matériau synthétique dur (PVC)/souple (CPE), conçu pour les liaisons sol/murs, adapté aux secteurs qui exigent des règles d'hygiène strictes, tels que l'industrie agroalimentaire. Permet de cacher la coupe du carreau.
(Fiche produit 4.11)



Schlüter®-DILEX-HK

PVC / CPE, O = 9 mm

L = 2,50 m Art.-No.	€ / m	KV (u.)
HK U12 / 09 ...*	11,82	60

ANGLE | CAPUCHON DE FERMETURE | RACCORD

Schlüter®-DILEX-HK/E

Angle sortant 90°

Art.-No.	€ / u.	P (u.)
A / HK / ...*	3,74	50

Schlüter®-DILEX-HK/I

Angle rentrant 90°

Sorties	Art.-No.	€ / u.	P (u.)
2	I / HK 2 R18 / ...*	3,74	50
3	I / HK 3 R18 / ...*	3,74	50



I2 = 2 sorties



I3 = 3 sorties

Schlüter®-DILEX-HK/EK

Capuchon de fermeture

Art.-No.	€ / u.	P (u.)
ER / HK / G	2,80	50
EL / HK / G	2,80	50

ER = droite / EL = gauche

Schlüter®-DILEX-HK/V

Raccord

Art.-No.	€ / u.	P (u.)
V / HK	1,57	50



Art.-No. à compléter avec la couleur (exemple : I / HK 2 R18 / HB)

BW G HB

* Coloris : BW - G - HB

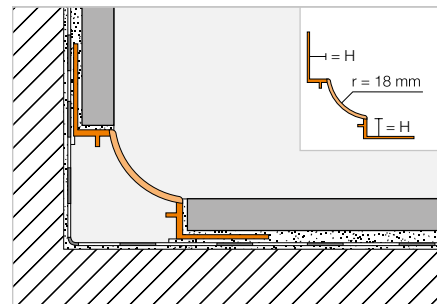
Vous trouverez un récapitulatif des finitions et des couleurs à partir de la page 293.

PROFILÉ À GORGE

Schlüter®-DILEX-HKW



Schlüter-DILEX-HKW est un profilé à gorge en matériau synthétique conçu pour les liaisons mur/mur et sol/murs lorsque ne sont attendus que de faibles mouvements.
(Fiche produit 4.12)



Schlüter®-DILEX-HKW

PVC

H (mm)	L = 2,50 m Art.-No.	€ / m	KV (u.)
7	HKW U 7 / 0 7 ...*	8,23	60
9	HKW U 9 / 0 9 ...*	8,23	60
11	HKW U 11 / 0 11 ...*	8,23	60

ANGLE | CAPUCHON DE FERMETURE

Schlüter®-DILEX-HKW/E

Angle sortant 90°

Art.-No.	€ / u.	P (u.)
A / HKW / ...*	3,74	50

Schlüter®-DILEX-HKW/I

Angle rentrant 90°

Sorties	Art.-No.	€ / u.	P (u.)
2	I / HKW 2 R18 / ...*	3,74	50
3	I / HKW 3 R18 / ...*	3,74	50



I2 = 2 sorties



I3 = 3 sorties

Schlüter®-DILEX-HKW/EK

Capuchon de fermeture

Art.-No.	€ / u.	P (u.)
E / HKW / G	2,80	50



Art.-No. à compléter avec la couleur (exemple : I / HKW 2 R18 / G)

BW G HB PG

* Coloris : BW - G - HB - PG

Vous trouverez un récapitulatif des finitions et des couleurs à partir de la page 293.

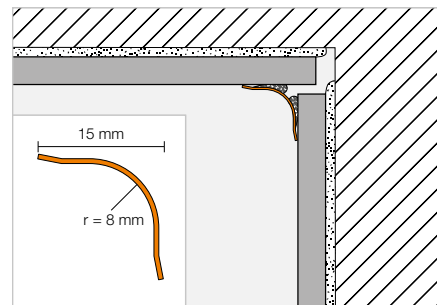


PROFILÉ À GORGE

Schlüter®-ECK-KHK



Schlüter-ECK-KHK est un profilé à gorge en acier inoxydable pour collage ultérieur sur les angles rentrants en céramique ou autre.
(Fiche produit 2.7)



Schlüter®-ECK-KHK-E

Acier inox. V2A

B (mm)	L = 3,00 m Art.-No.	€ / m	KV (u.)
15	KHK15 E/300	21,79	60
	L = 2,50 m		
15	KHK15 E	21,79	60
	L = 2,00 m		
15	KHK15 E/200	21,79	60
	L = 1,50 m		
15	KHK15 E/150	21,79	60

Schlüter®-ECK-KHK-EB

Acier inox. V2A brossé

B (mm)	L = 3,00 m Art.-No.	€ / m	KV (u.)
15	KHK15 EB/300	28,33	60
	L = 2,50 m		
15	KHK15 EB	28,33	60
	L = 2,00 m		
15	KHK15 EB/200	28,33	60
	L = 1,50 m		
15	KHK15 EB/150	28,33	60

ANGLE | RACCORD

Schlüter®-ECK-KHK-E/E

Angle sortant 90° acier inox. V2A

Art.-No.	€ / u.	P (u.)
E / KHK15 E	7,23	50

Schlüter®-ECK-KHK-EB/E

Angle sortant 90° acier inox. V2A brossé

Art.-No.	€ / u.	P (u.)
E / KHK15 EB	7,95	50

Schlüter®-ECK-KHK-E/I

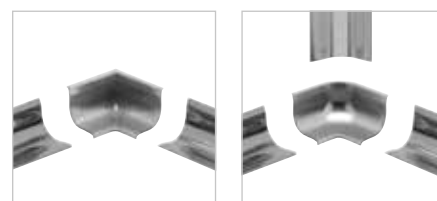
Angle rentrant 90° acier inox. V2A

Art.-No.	€ / u.	P (u.)
I/2 KHK15 E	7,23	50
I/3 KHK15 E	7,23	50

Schlüter®-ECK-KHK-EB/I

Angle rentrant 90° acier inox. V2A brossé

Art.-No.	€ / u.	P (u.)
I/2 KHK15 EB	7,95	50
I/3 KHK15 EB	7,95	50



I2 = 2 sorties

I3 = 3 sorties

Schlüter®-ECK-KHK-E/V

Raccord acier inox. V2A

Art.-No.	€ / u.	P (u.)
V / KHK15 E	7,23	50

Schlüter®-ECK-KHK-EB/V

Raccord acier inox. V2A brossé

Art.-No.	€ / u.	P (u.)
V / KHK15 EB	7,95	50



KHK/E KHK/I2 KHK/I3 KHK/V

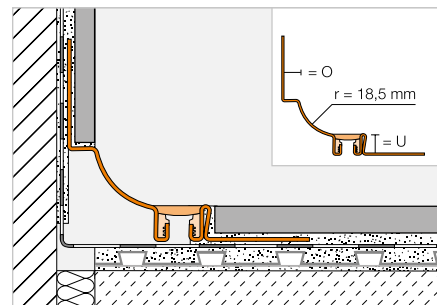
PROFILÉ À GORGE

Schlüter®-DILEX-HKS



Schlüter-DILEX-HKS est la combinaison d'une gorge en acier inoxydable V2A ou V4A et d'un profilé de mouvements périphérique souple, conçue pour la liaison sol/murs de revêtements carrelés.

(Fiche produit 4.15)



Schlüter®-DILEX-HKS-E

Acier inox. V2A, O = 7 mm

U (mm)	L = 2,50 m Art.-No.	€ / m	KV (u.)
8	HKS V2A U 8 / 0 7 ...*	45,84	40
10	HKS V2A U 10 / 0 7 ...*	46,35	40
12,5	HKS V2A U 12 / 0 7 ...*	46,95	40
14	HKS V2A U 14 / 0 7 ...*	47,18	40
16	HKS V2A U 16 / 0 7 ...*	47,53	40
18	HKS V2A U 18 / 0 7 ...*	47,96	40
21	HKS V2A U 21 / 0 7 ...*	48,43	40
25	HKS V2A U 25 / 0 7 ...*	49,30	40
30	HKS V2A U 30 / 0 7 ...*	49,91	40

Schlüter®-DILEX-HKS-E

Acier inox. V2A, O = 9 mm

U (mm)	L = 2,50 m Art.-No.	€ / m	KV (u.)
8	HKS V2A U 8 / 0 9 ...*	45,84	40
10	HKS V2A U 10 / 0 9 ...*	46,35	40
12,5	HKS V2A U 12 / 0 9 ...*	46,95	40
14	HKS V2A U 14 / 0 9 ...*	47,18	40
16	HKS V2A U 16 / 0 9 ...*	47,53	40
18	HKS V2A U 18 / 0 9 ...*	47,96	40
21	HKS V2A U 21 / 0 9 ...*	48,43	40
25	HKS V2A U 25 / 0 9 ...*	49,30	40
30	HKS V2A U 30 / 0 9 ...*	49,91	40

Schlüter®-DILEX-HKS-E

Acier inox. V2A, O = 11 mm

U (mm)	L = 2,50 m Art.-No.	€ / m	KV (u.)
8	HKS V2A U 8 / 0 11 ...*	45,84	40
10	HKS V2A U 10 / 0 11 ...*	46,35	40
12,5	HKS V2A U 12 / 0 11 ...*	46,95	40
14	HKS V2A U 14 / 0 11 ...*	47,18	40
16	HKS V2A U 16 / 0 11 ...*	47,53	40
18	HKS V2A U 18 / 0 11 ...*	47,96	40
21	HKS V2A U 21 / 0 11 ...*	48,43	40
25	HKS V2A U 25 / 0 11 ...*	49,30	40
30	HKS V2A U 30 / 0 11 ...*	49,91	40

Schlüter®-DILEX-HKS-E V4A

Acier inox. V4A, O = 7 mm

U (mm)	L = 2,50 m Art.-No.	€ / m	KV (u.)
8	HKS V4A U 8 / 0 7 ...*	50,42	40
10	HKS V4A U 10 / 0 7 ...*	50,98	40
12,5	HKS V4A U 12 / 0 7 ...*	51,64	40
14	HKS V4A U 14 / 0 7 ...*	51,93	40
16	HKS V4A U 16 / 0 7 ...*	52,27	40

Schlüter®-DILEX-HKS-E V4A

Acier inox. V4A, O = 9 mm

U (mm)	L = 2,50 m Art.-No.	€ / m	KV (u.)
8	HKS V4A U 8 / 0 9 ...*	50,42	40
10	HKS V4A U 10 / 0 9 ...*	50,98	40
12,5	HKS V4A U 12 / 0 9 ...*	51,64	40
14	HKS V4A U 14 / 0 9 ...*	51,93	40
16	HKS V4A U 16 / 0 9 ...*	52,27	40

Schlüter®-DILEX-HKS-E V4A

Acier inox. V4A, O = 11 mm

U (mm)	L = 2,50 m Art.-No.	€ / m	KV (u.)
8	HKS V4A U 8 / 0 11 ...*	50,42	40
10	HKS V4A U 10 / 0 11 ...*	50,98	40
12,5	HKS V4A U 12 / 0 11 ...*	51,64	40
14	HKS V4A U 14 / 0 11 ...*	51,93	40
16	HKS V4A U 16 / 0 11 ...*	52,27	40

ANGLE

Schlüter®-DILEX-HKS-E/E 90°

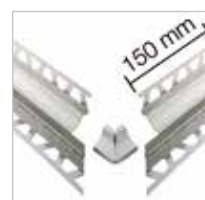
Angle 90° acier inox. V2A prédécoupé

Art.-No.	€ / Kit	P (kit)
E90 V2A ...**	39,34	50

Schlüter®-DILEX-HKS-E V4A/E 90°

Angle 90° acier inox. V4A prédécoupé

Art.-No.	€ / Kit	P (kit)
E90 V4A ...**	39,34	50



Nota :

Pièces de finition (angles rentrants, angles sortants 135° et raccords), voir Schlüter-DILEX-EHK.

Art.-No. à compléter avec la couleur (exemple : HKS V4A U 8 / 0 11 GS)



* Couleur : G - GS - HB - PG

** Art.-No. à compléter avec U... / O... et couleur (exemple : E90 V2A U 10 / 0 11 G). Couleur : G - GS - HB - PG
Vous trouverez un récapitulatif des finitions et des couleurs à partir de la page 293.



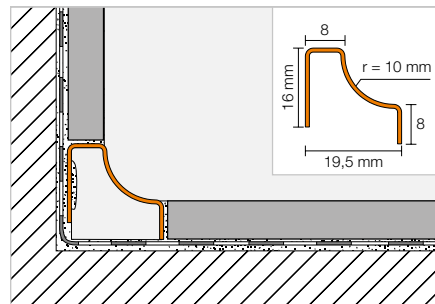
PROFILÉ À GORGE

Schlüter®-DILEX-HKU



Schlüter-DILEX-HKU est un profilé à gorge en acier inoxydable V2A ou V4A, pour les liaisons sol/murs ou mur/mur, adapté aux secteurs qui exigent des règles d'hygiène strictes. L'ailette de fixation interne permet d'utiliser le profilé pour des épaisseurs de revêtements différentes.

(Fiche produit 4.22)



Schlüter®-DILEX-HKU 10-E

Acier inox. V2A

L = 2,50 m Art.-No.	€/ m	KV (u.)
HKUR 10 E	24,54	40

Schlüter®-DILEX-HKU 10-EB

Acier inox. V2A brossé

L = 2,50 m Art.-No.	€/ m	KV (u.)
HKUR 10 EB	26,90	40

Schlüter®-DILEX-HKU 10-E V4A

Acier inox. V4A

L = 2,50 m Art.-No.	€/ m	KV (u.)
HKUR 10 E / V4A	36,83	40

ANGLE | CAPUCHON DE FERMETURE | RACCORD EN ACIER INOX. V4A

Schlüter®-DILEX-HKU 10-E/EQ

Angle sortant 90°
acier inox. V4A

Art.-No.	€/ u.	P (u.)
EQ / HKUR 10 E	7,23	50

Schlüter®-DILEX-HKU 10-E 135°

Angle sortant 135°
acier inox. V4A

Art.-No.	€/ u.	P (u.)
E135 / HKUR 10 E	7,23	50

Nota :

Les accessoires pour Schlüter-DILEX-HKU 10 sont en V4A (sauf pour l'inox brossé = HKU-EB) et peuvent aussi être combinés avec des profilés en V2A.

Schlüter®-DILEX-HKU 10-E/I

Angle rentrant 90°
acier inox. V4A

Art.-No.	€/ u.	P (u.)
I / HKUR 3 R 10 E	7,23	50

Schlüter®-DILEX-HKU 10-E/I 135°

Angle rentrant 135°
acier inox. V4A

Art.-No.	€/ u.	P (u.)
I135 / HKUR 10 E	7,23	50

Schlüter®-DILEX-HKU 10-E/EK

Capuchon de fermeture acier inox. V4A

Art.-No.	€/ u.	P (u.)
EK / HKUR 10 E	6,20	50

Schlüter®-DILEX-HKU 10-E/V

Raccord acier inox. V4A

Art.-No.	€/ u.	P (u.)
V / HKUR 10 E	7,23	50



ANGLE | CAPUCHON DE FERMETURE | RACCORD EN ACIER INOX. V2A BROSSÉ

Schlüter®-DILEX-HKU 10-EB/EQ

 Angle sortant 90°
acier inox. V2A brossé

Art.-No.	€ / u.	P (u.)
EQ / HKUR 10 EB	7,95	50

Schlüter®-DILEX-HKU 10-EB 135°

 Angle sortant 135°
acier inox. V2A brossé

Art.-No.	€ / u.	P (u.)
E135 / HKUR 10 EB	7,95	50

Schlüter®-DILEX-HKU 10-EB/I

 Angle rentrant 90°
acier inox. V2A brossé

Art.-No.	€ / u.	P (u.)
I / HKU 3 R 10 EB	7,95	50

Schlüter®-DILEX-HKU 10-EB/I 135°

 Angle rentrant 135°
acier inox. V2A brossé

Art.-No.	€ / u.	P (u.)
I135 / HKUR 10 EB	7,95	50


Schlüter®-DILEX-HKU 10-EB/EK

Capuchon de fermeture acier inox. V2A brossé

Art.-No.	€ / u.	P (u.)
EK / HKUR 10 EB	7,34	50

Schlüter®-DILEX-HKU 10-EB/V

Raccord acier inox. V2A brossé

Art.-No.	€ / u.	P (u.)
V / HKUR 10 EB	7,95	50

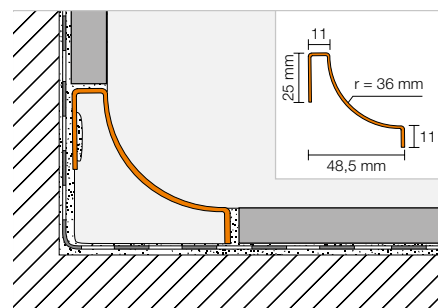


PROFILÉ À GORGE

Schlüter®-DILEX-HKU 36-E

Acier inox. V2A

L = 2,50 m Art.-No.	€ / m	KV (u.)
HKUR 36 E	29,02	40



ANGLE | CAPUCHON DE FERMETURE | RACCORD

Schlüter®-DILEX-HKU 36-E/E

 Angle sortant 90°
acier inox. V2A

Art.-No.	€ / u.	P (u.)
E / HKUR 36 E	8,25	50

Schlüter®-DILEX-HKU 36-E/I

 Angle rentrant 90°
acier inox. V2A

Art.-No.	€ / u.	P (u.)
I / HKU 3 R 36 10 E	8,25	50

Schlüter®-DILEX-HKU 36-E/V

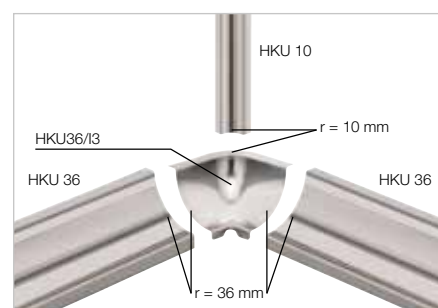
Raccord acier inox. V2A

Art.-No.	€ / u.	P (u.)
V / HKUR 36 E	8,25	50

Schlüter®-DILEX-HKU 36/VI

Pièce de liaison

Art.-No.	€ / u.	P (u.)
VI / HKUR 36	3,63	50


Schlüter®-DILEX-HKU 36/EK

Capuchon de fermeture PVC

Art.-No.	€ / u.	P (u.)
EK / HKUR 36 E	3,63	50



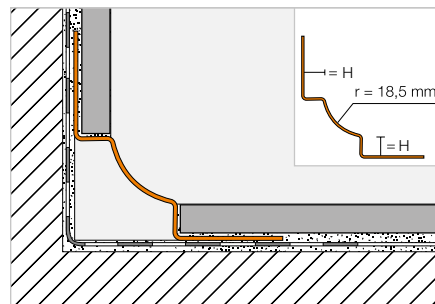


PROFILÉ À GORGE

Schlüter®-DILEX-EHK



Schlüter-DILEX-EHK est un profilé à gorge en acier inoxydable V2A ou V4A pour les liaisons sol/murs et mur/mur, adapté aux secteurs qui exigent des règles d'hygiène strictes, tels que l'industrie agroalimentaire.
(Fiche produit 4.15)



Schlüter®-DILEX-EHK

Acier inox. V2A

H (mm)	L = 2,50 m Art.-No.	€ / m	KV (u.)
7	EHK U 7 / 0 7	26,07	40
9	EHK U 9 / 0 9	26,85	40
11	EHK U 11 / 0 11	27,65	40

Schlüter®-DILEX-EBHK

Acier inox. V2A brossé

H (mm)	L = 2,50 m Art.-No.	€ / m	KV (u.)
7	EBHK U 7 / 0 7	33,91	40
9	EBHK U 9 / 0 9	34,91	40
11	EBHK U 11 / 0 11	35,98	40

Schlüter®-DILEX-EHK V4A

Acier inox. V4A

H (mm)	L = 2,50 m Art.-No.	€ / m	KV (u.)
7	EHK U 7 / 0 7 / V4A	28,70	40
9	EHK U 9 / 0 9 / V4A	29,53	40
11	EHK U 11 / 0 11 / V4A	30,45	40
16	EHK U 16 / 0 16 / V4A	32,36	40

ANGLE | RACCORD EN ACIER INOX. V4A

Schlüter®-DILEX-EHK/E

Angle sortant 90°
acier inox. V4A

Art.-No.	€ / u.	P (u.)
A / EHK 2 R18	7,39	50

Schlüter®-DILEX-EHK/E 135°

Angle sortant 135°
acier inox. V4A

Art.-No.	€ / u.	P (u.)
E 135 / EHK 2 R18	7,39	50

Schlüter®-DILEX-EHK/V

Raccord
acier inox. V4A

Art.-No.	€ / u.	P (u.)
V / EHK	7,39	50

Schlüter®-DILEX-EHK/I

Angle rentrant 90°
acier inox. V4A

Art.-No.	€ / u.	P (u.)
I / EHK 2 R18	7,39	50
I / EHK 3 R18	7,39	50

Schlüter®-DILEX-EHK/I 135°

Angle rentrant 135°
acier inox. V4A

Art.-No.	€ / u.	P (u.)
I 135 / EHK 2 R18	7,39	50



I2 = 2 sorties

I3 = 3 sorties

ANGLE | RACCORD EN ACIER INOX. V2A BROSSÉ

Schlüter®-DILEX-EBHK/E

Angle sortant 90°
acier inox. V2A brossé

Art.-No.	€ / u.	P (u.)
A / EBHK 2 R18	9,60	50

Schlüter®-DILEX-EBHK/E 135°

Angle sortant 135°
acier inox. V2A brossé

Art.-No.	€ / u.	P (u.)
E 135 / EB HK 2 R18	9,60	50

Schlüter®-DILEX-EBHK/V

Raccord
acier inox. V2A brossé

Art.-No.	€ / u.	P (u.)
V / EBHK	9,60	50

Schlüter®-DILEX-EBHK/I

Angle rentrant 90°
acier inox. V2A brossé

Art.-No.	€ / u.	P (u.)
I / EBHK 2 R18	9,60	50
I / EBHK 3 R18	9,60	50

Schlüter®-DILEX-EBHK/I 135°

Angle rentrant 135°
acier inox. V2A brossé

Art.-No.	€ / u.	P (u.)
I 135 / EB HK 2 R18	9,60	50

Nota :

Les accessoires pour Schlüter-DILEX-EHK sont en V4A (sauf dans le cas de l'acier inoxydable brossé = EBHK) et peuvent aussi être combinés avec des profilés en V2A. Pour les capuchons nous proposons Schlüter-DILEX-HKW/EK en PVC.

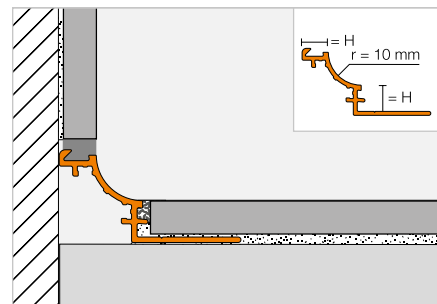


PROFILÉ À GORGE

Schlüter®-DILEX-AHK-TS



Schlüter-DILEX-AHK-TS est un profilé à gorge en aluminium avec une finition structurée, pour la réalisation d'angles rentrants de murs, pour la liaison entre un plan vasque/plan de travail et le mur, ou entre le sol de la douche et le mur. Il est possible de combiner ce profilé avec ceux des séries Schlüter-RONDEC, -JOLLY ou -QUADEC dans la même finition. (Fiche produit 4.21)



Schlüter®-DILEX-AHK-TSI

Alu. finition structurée ivoire

H (mm)	L = 2,50 m Art.-No.	€ / m	KV (u.)
8	AHK 1S 80 TSI	22,36	40
10	AHK 1S 100 TSI	23,21	40
12,5	AHK 1S 125 TSI	24,06	40

Schlüter®-DILEX-AHK-TSSG

Alu. finition structurée gris pierre

H (mm)	L = 2,50 m Art.-No.	€ / m	KV (u.)
8	AHK 1S 80 TSSG	22,36	40
10	AHK 1S 100 TSSG	23,21	40
12,5	AHK 1S 125 TSSG	24,06	40

Schlüter®-DILEX-AHK-TSDA

Alu. finition structurée gris anthracite

H (mm)	L = 2,50 m Art.-No.	€ / m	KV (u.)
8	AHK 1S 80 TSDA	22,36	40
10	AHK 1S 100 TSDA	23,21	40
12,5	AHK 1S 125 TSDA	24,06	40

ANGLE | CAPUCHON DE FERMETURE | RACCORD

Schlüter®-DILEX-AHK-TS/E

Angle sortant 90°
(pour raccordement à un RONDEC)

Art.-No.	€ / u.	P (u.)
E90 / AHK 1S / ...*	23,37	50

Schlüter®-DILEX-AHK-TS/E 90 Q

Angle sortant 90°
(pour raccordement à un QUADEC)

Art.-No.	€ / u.	P (u.)
E90 Q / AHK 1S / ...*	23,37	50

Schlüter®-DILEX-AHK-TS/E 135°

Angle sortant 135°

Art.-No.	€ / u.	P (u.)
E135 / AHK 1S / ...*	23,37	50

Schlüter®-DILEX-AHK-TS/I

Angle rentrant 90°

Art.-No.	€ / u.	P (u.)
I90 / AHK 1S / ...*	23,37	50

Schlüter®-DILEX-AHK-TS/I 135°

Angle rentrant 135°

Art.-No.	€ / u.	P (u.)
I135 / AHK 1S / ...*	23,37	50

Schlüter®-DILEX-AHK-TS/EK

Capuchon de fermeture

Art.-No.	€ / u.	P (u.)
E / AHK 1S / ...*	15,00	50



Schlüter®-DILEX-AHK/V

Raccord

Art.-No.	€ / u.	P (u.)
V / AHK	3,63	50

Art.-No. à compléter avec la finition (exemple E / AHK 1S / TSI)

* Finitions : TSDA - TSI - TSSG

Vous trouverez un récapitulatif des finitions et des couleurs à partir de la page 293.



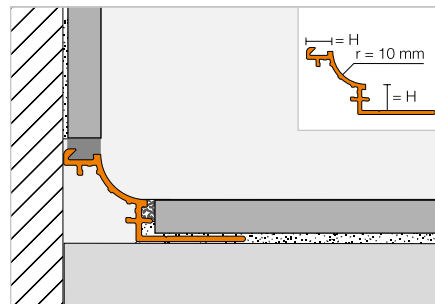
PROFILÉ À GORGE

Schlüter®-DILEX-AHK



Schlüter-DILEX-AHK est un profilé à gorge en aluminium avec une seule ailette, pour le raccordement avec des plans de travail de cuisine ou les plans vasques destinés à recevoir un revêtement céramique. Il est disponible avec différentes finitions anodisées. Le profilé Schlüter-DILEX-AHK-AE peut également être utilisé en liaison sol/murs.

(Fiche produit 4.21)



Schlüter®-DILEX-AHK-AE

Alu. naturel anodisé mat

H (mm)	L = 2,50 m Art.-No.	€ / m	KV (u.)
8	AHK 1S 80 AE	17,60	40
10	AHK 1S 100 AE	18,28	40
12,5	AHK 1S 125 AE	19,01	40

Schlüter®-DILEX-AHK-ACG

Alu. chromé anodisé brillant

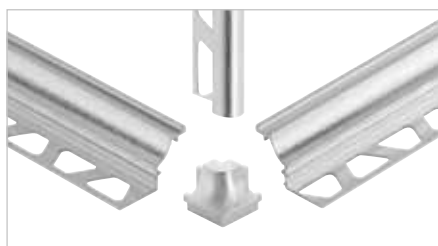
H (mm)	L = 2,50 m Art.-No.	€ / m	KV (u.)
8	AHK 1S 80 ACG	33,54	40
10	AHK 1S 100 ACG	34,67	40
12,5	AHK 1S 125 ACG	35,50	40

Schlüter®-DILEX-AHK-ACGB

Alu. chromé anodisé brossé

H (mm)	L = 2,50 m Art.-No.	€ / m	KV (u.)
8	AHK 1S 80 ACGB	25,89	40
10	AHK 1S 100 ACGB	26,55	40
12,5	AHK 1S 125 ACGB	27,39	40

ANGLE | CAPUCHON DE FERMETURE | RACCORD



Schlüter®-DILEX-AHK/E

Angle sortant 90°
(pour raccordement à un RONDEC)

Art.-No.	€ / u.	P (u.)
E90 / AHK 1S / ...*	23,37	50

Schlüter®-DILEX-AHK/E90Q

Angle sortant 90°
(pour raccordement à un QUADREC)

Art.-No.	€ / u.	P (u.)
E90 Q / AHK 1S / ...*	23,37	50

Schlüter®-DILEX-AHK/E 135°

Angle sortant 135°

Art.-No.	€ / u.	P (u.)
E135 / AHK 1S / ...*	23,37	50

Schlüter®-DILEX-AHK/I

Angle rentrant 90°

Art.-No.	€ / u.	P (u.)
I90 / AHK 1S / ...*	23,37	50

Schlüter®-DILEX-AHK/I 135°

Angle rentrant 135°

Art.-No.	€ / u.	P (u.)
I135 / AHK 1S / ...*	23,37	50

Schlüter®-DILEX-AHK/EK

Capuchon de fermeture

Art.-No.	€ / u.	P (u.)
E / AHK 1S / ...*	15,00	50

Schlüter®-DILEX-AHK/V

Raccord

Art.-No.	€ / u.	P (u.)
V / AHK	3,63	50



Art.-No. à compléter avec la finition (exemple E / AHK 1S / AE)

* Finitions : ACG - ACGB - AE

Vous trouverez un récapitulatif des finitions et des couleurs à partir de la page 293.

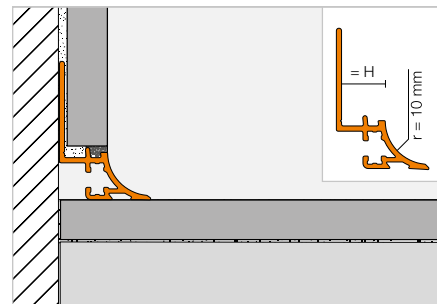
PROFILÉ À GORGE

Schlüter®-DILEX-AHKA



Schlüter-DILEX-AHKA est un profilé à gorge en aluminium avec une seule ailette pour les liaisons mur/mur et le raccordement avec des plans de travail de cuisine ou des plans vasques. Il est disponible avec différentes finitions anodisées et peut se raccorder d'un côté à des éléments fixes. Le profilé Schlüter-DILEX-AHKA-AE peut également être utilisé en liaison sol/murs.

(Fiche produit 4.21)



Schlüter®-DILEX-AHKA-AE

Alu. naturel anodisé mat

H (mm)	L = 2,50 m Art.-No.	€ / m	KV (u.)
8	AHKA 80 AE	17,60	40
10	AHKA 100 AE	18,28	40
12,5	AHKA 125 AE	19,01	40
15	AHKA 150 AE	19,56	40

Schlüter®-DILEX-AHKA-ACGB

Alu. chromé anodisé brossé

H (mm)	L = 2,50 m Art.-No.	€ / m	KV (u.)
8	AHKA 80 ACGB	25,89	40
10	AHKA 100 ACGB	26,55	40
12,5	AHKA 125 ACGB	27,39	40
15	AHKA 150 ACGB	28,23	40

ANGLE | CAPUCHON DE FERMETURE

Schlüter®-DILEX-AHKA/E

Angle sortant 90°

Art.-No.	€ / u.	P (u.)
E90 / AHKA / ...*	23,37	50

Schlüter®-DILEX-AHKA/E 135°

Angle sortant 135°

Art.-No.	€ / u.	P (u.)
E135 / AHKA / ...*	23,37	50

Schlüter®-DILEX-AHKA/I

Angle rentrant 90°

Art.-No.	€ / u.	P (u.)
I90 / AHKA / ...*	23,37	50

Schlüter®-DILEX-AHKA/I 135°

Angle rentrant 135°

Art.-No.	€ / u.	P (u.)
I135 / AHKA / ...*	23,37	50

Schlüter®-DILEX-AHKA/ER

Capuchon de fermeture, droite

Art.-No.	€ / u.	P (u.)
ER / AHKA / ...*	15,00	50

Schlüter®-DILEX-AHKA/EL

Capuchon de fermeture, gauche

Art.-No.	€ / u.	P (u.)
EL / AHKA / ...*	15,00	50



AHKA/E



AHKA/E 135°



AHKA/I



AHKA/I 135°



AHKA/EL



AHKA/ER

Art.-No. à compléter avec la finition (exemple EL / AHKA / ACGB)

* Finitions : ACGB - AE

Vous trouverez un récapitulatif des finitions et des couleurs à partir de la page 293.



Profils pour pose scellée

Pour fractionnement

Qu'il s'agisse de fractionner une chape ou de créer des joints de fractionnement en pose scellée, vous trouverez la solution adaptée dans la gamme DILEX, avec des profils :

- ✓ En inox
- ✓ En PVC rigide
- ✓ En différentes hauteurs
- ✓ Pérennes avec un minimum d'entretien



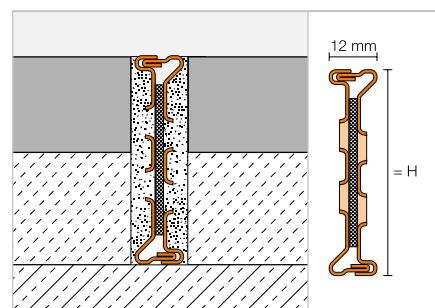
PROFILÉ DE FRACTIONNEMENT

Schlüter®-DILEX-EMP



Schlüter-DILEX-EMP est un profilé de fractionnement en acier inoxydable pour pose scellée, permettant d'absorber des mouvements horizontaux à l'aide d'une liaison languette et rainure.

(Fiche produit 4.17)



Schlüter®-DILEX-EMP

Acier inox. V2A

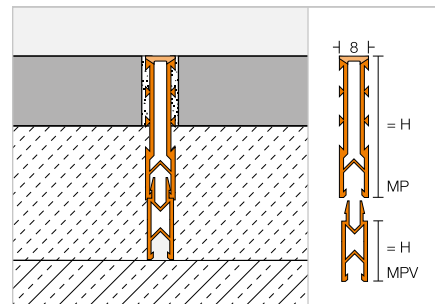
H (mm)	L = 2,50 m Art.-No.	€ / m	KV (u.)
35	EMP 35	33,23	60
50	EMP 50	37,82	60
65	EMP 65	42,45	60

PROFILÉ DE FRACTIONNEMENT | REHAUSSE

Schlüter®-DILEX-MP



Schlüter-DILEX-MP est un profilé de fractionnement pour pose scellée. Il est composé de parois latérales en PVC dur recyclé, découpées en queue d'aronde et d'une zone de mouvements en CPE souple. La hauteur se règle au moyen de rehausses. (Fiche produit 4.3)



Schlüter®-DILEX-MP 35

PVC / CPE

H (mm)	L = 2,50 m Art.-No.	€ / m	KV (u.)
35	MP 35 ...*	4,87	120

Schlüter®-DILEX-MP/V

Rehausse

H (mm)	L = 2,50 m Art.-No.	€ / m	KV (u.)
15	MPV 15	2,82	120
25	MPV 25	2,98	120

Art.-No. à compléter avec la couleur (exemple : MP 35 GS)



* Coloris : G - GS - HB - ZR

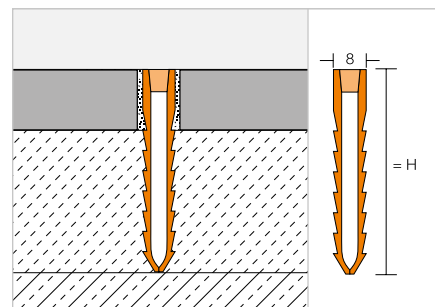
Vous trouverez un récapitulatif des finitions et des couleurs à partir de la page 293.

PROFILÉ DE FRACTIONNEMENT

Schlüter®-DILEX-MOP



Schlüter-DILEX-MOP est un profilé de mouvements conçu pour la réalisation de joints de fractionnement en pose scellée ou pour être introduit dans des joints sciés. Il est composé de parois latérales crantées, stables, en PVC dur recyclé et d'une zone souple en PVC gris. (Fiche produit 4.4)



Schlüter®-DILEX-MOP

PVC

H (mm)	L = 2,50 m Art.-No.	€ / m	KV (u.)
35	MOP 35 G	3,65	120
50	MOP 50 G	4,69	120
65	MOP 65 G	5,18	120



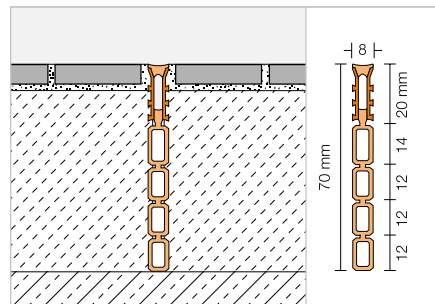
PROFILÉ DE DÉCORATION

Schlüter®-DILEX-EZ 70



Schlüter-DILEX-EZ 70 est un profilé de fractionnement pour pose scellée. Il est composé de parois latérales en PVC dur découpées en queue d'aronde, et d'une zone souple en PVC. La hauteur se règle en découpant les éléments.

(Fiche produit 4.2)



Schlüter®-DILEX-EZ 70

PVC

H (mm)	L = 2,50 m Art.-No.	€ / m	KV (u.)
70	EZ G 70	11,45	120

G = gris

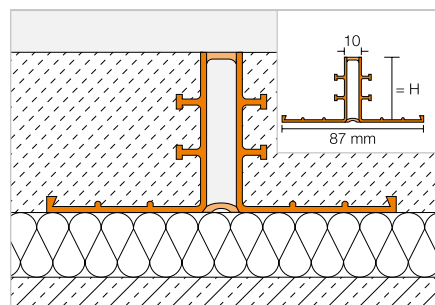
PROFILÉ DE MOUVEMENTS POUR CHAPES

Schlüter®-DILEX-EP



Schlüter-DILEX-EP est un profilé de fractionnement pour chapes flottantes ou adhérentes. Les parties latérales sont en plastique dur recyclé, avec des zones de mouvement inférieure et supérieure en CPE souple.

(Fiche produit 4.5)



Schlüter®-DILEX-EP

PVC / CPE

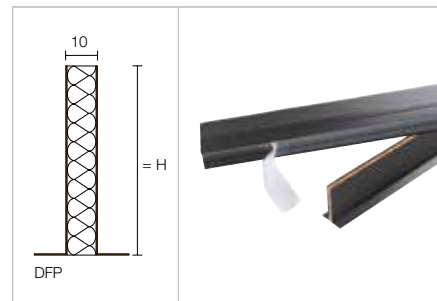
H (mm)	L = 2,50 m Art.-No.	€ / m	KV (u.)
30	EP 30	11,33	40
40	EP 40	11,70	40
50	EP 50	12,36	40

PROFILÉ DE FRACTIONNEMENT POUR CHAPES

Schlüter®-DILEX-DFP



Schlüter-DILEX-DFP est un profilé de mouvements destiné au fractionnement des chapes et des seuils de portes.
(Fiche produit 9.1)



Schlüter®-DILEX-DFP

Mousse PE

H (mm)	L = 2,50 m Art.-No.	€ / m	KV (u.)
100	DFP 10/250	15,17	40

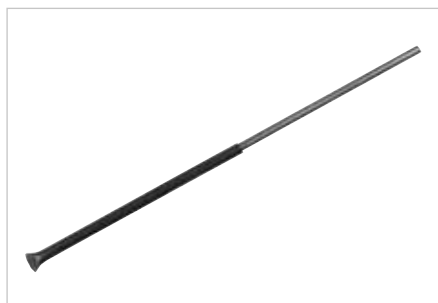
Schlüter®-DILEX-DFP

Mousse PE

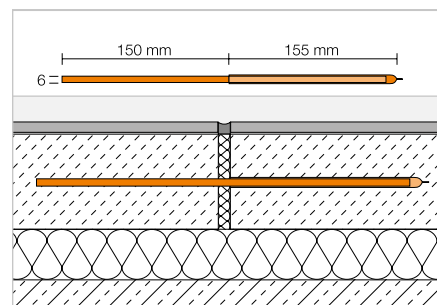
H (mm)	L = 1,00 m Art.-No.	€ / m	P (u.)
60	DFP 6/100	11,48	20
80	DFP 8/100	13,49	20
100	DFP 10/100	15,71	20

CALE

Schlüter®-DILEX-HVD



Schlüter-DILEX-HVD est une cale qui évite le fluage des chapes fluides au droit des joints de fractionnement.



Schlüter®-DILEX-HVD

Acier

Art.-No.	€ / Set	P (Set)
HVD / 10	20,20	10

Set = 10 u.



Profilsés Schlüter

Profilsés pour revêtements souples de murs et de sols

De plus en plus de carreleurs et de négociants élargissent leur offre à des revêtements souples tels que le vinyle par exemple. En tant qu'inventeur du Schlüter-SCHIENE, le précurseur de tous les profilsés de finition, nous proposons, avec Schlüter-VINPRO, une gamme pour la finition et la transition des revêtements souples. Que ce soit pour le sol, le mur, ou les marches d'escaliers, avec Schlüter-VINPRO, la qualité de Schlüter-Systems se décline aussi pour les revêtements LVT.





Profilés de transition

Schlüter®-VINPRO-T 124

Schlüter®-VINPRO-U 125

Profilés de finition

Schlüter®-VINPRO-S 126

Schlüter®-VINPRO-RO 127

Profilés pour escaliers

Schlüter®-VINPRO-STEP 128

Schlüter®-VINPRO-STEP-R 129



Schlüter®-VINPRO

Profilé pour revêtements souples

- ✓ Protège les bords de revêtements de sols, de murs et d'escaliers
- ✓ Mise en œuvre facile et rapide
- ✓ Évite les risques de chutes au niveau de transitions entre différents revêtements ou différentes hauteurs de sols
- ✓ Finitions disponibles :
 - alu. chromé anodisé brossé (ACGB)
 - alu. anodisé titane brossé (ATGB)
 - alu. bronze anodisé brossé (ABGB)



PROFILÉ DE TRANSITION

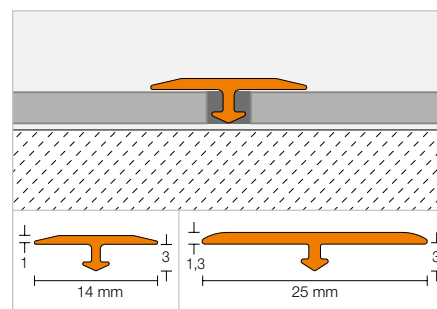
Schlüter®-VINPRO-T



Schlüter-VINPRO-T est un profilé pouvant être posé a posteriori, qui assure la transition entre deux revêtements souples de même niveau (p. ex. lames ou dalles décorées LVT, revêtements design).

(Fiche produit 18.2)

Disponible à partir du mois de mars 2022



Schlüter®-VINPRO-T-ACGB

Alu. chromé anodisé brossé

H (mm)	B (mm)	L = 2,50 m Art.-No.	€ / m	KV (u.)
3	14	VPT 3/14 ACGB	5,08	120
★3	25	VPTL 3/25 ACGB	5,70	120

Schlüter®-VINPRO-T-ATGB

Alu. titane anodisé brossé

H (mm)	B (mm)	L = 2,50 m Art.-No.	€ / m	KV (u.)
3	14	VPT 3/14 ATGB	5,08	120
★3	25	VPTL 3/25 ATGB	5,70	120

Schlüter®-VINPRO-T-ABGB

Alu. bronze anodisé brossé

H (mm)	B (mm)	L = 2,50 m Art.-No.	€ / m	KV (u.)
3	14	VPT 3/14 ABGB	5,08	120
★3	25	VPTL 3/25 ABGB	5,70	120

Vous trouverez un récapitulatif des finitions et des couleurs à partir de la page 293.

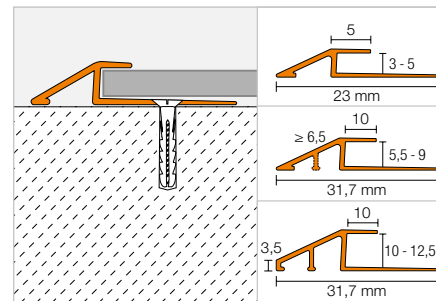
PROFILÉ DE TRANSITION

Schlüter®-VINPRO-U



Schlüter-VINPRO-U est un profilé de transition entre des revêtements souples (p. ex. lames ou dalles décorées LVT, revêtements design) et des revêtements adjacents d'une épaisseur inférieure.

(Fiche produit 18.3)



Schlüter®-VINPRO-U-ACGB

Alu. chromé anodisé brossé

H (mm)	L = 2,50 m Art.-No.	€ / m	KV (u.)
3	VPU 30 ACGB	8,48	120
4	VPU 40 ACGB	8,64	120
5	VPU 50 ACGB	8,91	120
★ 5,5	VPUL 55 ACGB	9,10	120
★ 6	VPUL 60 ACGB	9,65	120
★ 6,5	VPUL 65 ACGB	10,00	120
★ 7	VPUL 70 ACGB	10,50	120
★ 7,5	VPUL 75 ACGB	11,00	120
★ 8	VPUL 80 ACGB	11,75	120
★ 8,5	VPUL 85 ACGB	12,50	120
★ 9	VPUL 90 ACGB	13,25	120
★ 10	VPUL 100 ACGB	14,00	120
★ 11	VPUL 110 ACGB	14,75	120
★ 12,5	VPUL 125 ACGB	15,50	120

Schlüter®-VINPRO-U-ATGB

Alu. titane anodisé brossé

H (mm)	L = 2,50 m Art.-No.	€ / m	KV (u.)
3	VPU 30 ATGB	8,48	120
4	VPU 40 ATGB	8,64	120
5	VPU 50 ATGB	8,91	120
★ 5,5	VPUL 55 ATGB	9,10	120
★ 6	VPUL 60 ATGB	9,65	120
★ 6,5	VPUL 65 ATGB	10,00	120
★ 7	VPUL 70 ATGB	10,50	120
★ 7,5	VPUL 75 ATGB	11,00	120
★ 8	VPUL 80 ATGB	11,75	120
★ 8,5	VPUL 85 ATGB	12,50	120
★ 9	VPUL 90 ATGB	13,25	120
★ 10	VPUL 100 ATGB	14,00	120
★ 11	VPUL 110 ATGB	14,75	120
★ 12,5	VPUL 125 ATGB	15,50	120

Schlüter®-VINPRO-U-ABGB

Alu. bronze anodisé brossé

H (mm)	L = 2,50 m Art.-No.	€ / m	KV (u.)
3	VPU 30 ABGB	8,48	120
4	VPU 40 ABGB	8,64	120
5	VPU 50 ABGB	8,91	120
★ 5,5	VPUL 55 ABGB	9,10	120
★ 6	VPUL 60 ABGB	9,65	120
★ 6,5	VPUL 65 ABGB	10,00	120
★ 7	VPUL 70 ABGB	10,50	120
★ 7,5	VPUL 75 ABGB	11,00	120
★ 8	VPUL 80 ABGB	11,75	120
★ 8,5	VPUL 85 ABGB	12,50	120
★ 9	VPUL 90 ABGB	13,25	120
★ 10	VPUL 100 ABGB	14,00	120
★ 11	VPUL 110 ABGB	14,75	120
★ 12,5	VPUL 125 ABGB	15,50	120

i

Disponible à partir du mois
de mars 2022

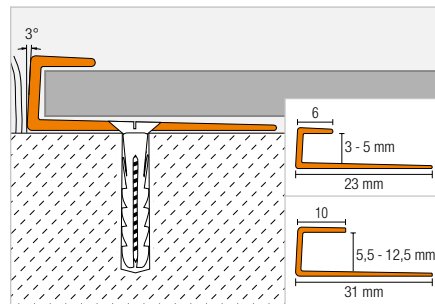


PROFILÉ DE FINITION

Schlüter®-VINPRO-S



Schlüter-VINPRO-S est un profilé conçu pour l'encadrement de revêtements souples (p. ex. lames ou dalles décorées LVT, revêtements design). Il offre une protection des chants de revêtements adjacents de même hauteur ou de hauteurs proches et peut également servir de finition pour les plinthes. (Fiche produit 18.1)



Schlüter®-VINPRO-S-ACGB

Alu. chromé anodisé brossé

H (mm)	L = 2,50 m Art.-No.	€ / m	KV (u.)
3	VPS 30 ACGB	7,56	120
4	VPS 40 ACGB	7,61	120
5	VPS 50 ACGB	7,67	120
★ 5,5	VPSL 55 ACGB	8,00	120
★ 6	VPSL 60 ACGB	8,30	120
★ 6,5	VPSL 65 ACGB	8,60	120
★ 7	VPSL 70 ACGB	8,90	120
★ 7,5	VPSL 75 ACGB	9,20	120
★ 8	VPSL 80 ACGB	9,50	120
★ 8,5	VPSL 85 ACGB	9,80	120
★ 9	VPSL 90 ACGB	10,10	120
★ 10	VPSL 100 ACGB	10,40	120
★ 11	VPSL 110 ACGB	10,70	120
★ 12,5	VPSL 125 ACGB	11,00	120

Schlüter®-VINPRO-S-ATGB

Alu. titane anodisé brossé

H (mm)	L = 2,50 m Art.-No.	€ / m	KV (u.)
3	VPS 30 ATGB	7,56	120
4	VPS 40 ATGB	7,61	120
5	VPS 50 ATGB	7,67	120
★ 5,5	VPSL 55 ATGB	8,00	120
★ 6	VPSL 60 ATGB	8,30	120
★ 6,5	VPSL 65 ATGB	8,60	120
★ 7	VPSL 70 ATGB	8,90	120
★ 7,5	VPSL 75 ATGB	9,20	120
★ 8	VPSL 80 ATGB	9,50	120
★ 8,5	VPSL 85 ATGB	9,80	120
★ 9	VPSL 90 ATGB	10,10	120
★ 10	VPSL 100 ATGB	10,40	120
★ 11	VPSL 110 ATGB	10,70	120
★ 12,5	VPSL 125 ATGB	11,00	120

Schlüter®-VINPRO-S-ABGB

Alu. bronze anodisé brossé

H (mm)	L = 2,50 m Art.-No.	€ / m	KV (u.)
3	VPS 30 ABGB	7,56	120
4	VPS 40 ABGB	7,61	120
5	VPS 50 ABGB	7,67	120
★ 5,5	VPSL 55 ABGB	8,00	120
★ 6	VPSL 60 ABGB	8,30	120
★ 6,5	VPSL 65 ABGB	8,60	120
★ 7	VPSL 70 ABGB	8,90	120
★ 7,5	VPSL 75 ABGB	9,20	120
★ 8	VPSL 80 ABGB	9,50	120
★ 8,5	VPSL 85 ABGB	9,80	120
★ 9	VPSL 90 ABGB	10,10	120
★ 10	VPSL 100 ABGB	10,40	120
★ 11	VPSL 110 ABGB	10,70	120
★ 12,5	VPSL 125 ABGB	11,00	120

i
Disponible à partir du mois de mars 2022



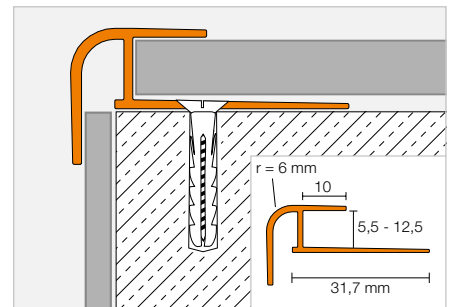
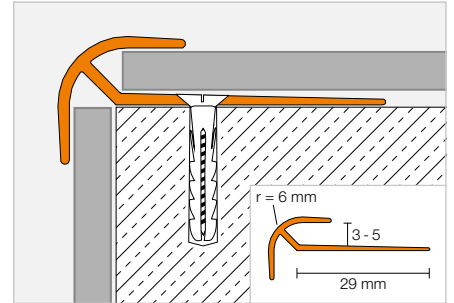
Exemple de mise en œuvre : finition murale

PROFILÉ DE FINITION

Schlüter®-VINPRO-RO



Schlüter-VINPRO-RO est un profilé de finition et de protection des chaux conçu pour la réalisation d'angles sortants de murs destinés à recevoir un revêtement souple (p. ex. lames ou dalles LVT, revêtements design). Le profilé présente un arrondi symétrique. (Fiche produit 18.5)



i
 Disponible à partir du mois
 de mars 2022

Schlüter®-VINPRO-RO-ACGB

Alu. chromé anodisé brossé

H (mm)	L = 2,50 m Art.-No.	€ / m	KV (u.)
3	VPRO 30 ACGB	8,91	120
4	VPRO 40 ACGB	9,18	120
5	VPRO 50 ACGB	9,45	120
★ 5,5	VPROL 55 ACGB	9,75	120
★ 6	VPROL 60 ACGB	10,50	120
★ 6,5	VPROL 65 ACGB	11,25	120
★ 7	VPROL 70 ACGB	11,75	120
★ 7,5	VPROL 75 ACGB	12,25	120
★ 8	VPROL 80 ACGB	12,75	120
★ 8,5	VPROL 85 ACGB	13,25	120
★ 9	VPROL 90 ACGB	13,75	120
★ 10	VPROL 100 ACGB	14,25	120
★ 11	VPROL 110 ACGB	14,75	120
★ 12,5	VPROL 125 ACGB	15,25	120

Schlüter®-VINPRO-RO-ATGB

Alu. titane anodisé brossé

H (mm)	L = 2,50 m Art.-No.	€ / m	KV (u.)
3	VPRO 30 ATGB	8,91	120
4	VPRO 40 ATGB	9,18	120
5	VPRO 50 ATGB	9,45	120
★ 5,5	VPROL 55 ATGB	9,75	120
★ 6	VPROL 60 ATGB	10,50	120
★ 6,5	VPROL 65 ATGB	11,25	120
★ 7	VPROL 70 ATGB	11,75	120
★ 7,5	VPROL 75 ATGB	12,25	120
★ 8	VPROL 80 ATGB	12,75	120
★ 8,5	VPROL 85 ATGB	13,25	120
★ 9	VPROL 90 ATGB	13,75	120
★ 10	VPROL 100 ATGB	14,25	120
★ 11	VPROL 110 ATGB	14,75	120
★ 12,5	VPROL 125 ATGB	15,25	120

Schlüter®-VINPRO-RO-ABGB

Alu. bronze anodisé brossé

H (mm)	L = 2,50 m Art.-No.	€ / m	KV (u.)
3	VPRO 30 ABGB	8,91	120
4	VPRO 40 ABGB	9,18	120
5	VPRO 50 ABGB	9,45	120
★ 5,5	VPROL 55 ABGB	9,75	120
★ 6	VPROL 60 ABGB	10,50	120
★ 6,5	VPROL 65 ABGB	11,25	120
★ 7	VPROL 70 ABGB	11,75	120
★ 7,5	VPROL 75 ABGB	12,25	120
★ 8	VPROL 80 ABGB	12,75	120
★ 8,5	VPROL 85 ABGB	13,25	120
★ 9	VPROL 90 ABGB	13,75	120
★ 10	VPROL 100 ABGB	14,25	120
★ 11	VPROL 110 ABGB	14,75	120
★ 12,5	VPROL 125 ABGB	15,25	120



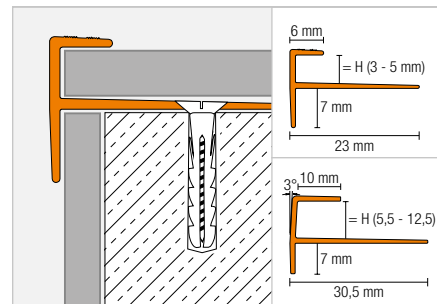
PROFILÉ POUR ESCALIER

Schlüter®-VINPRO-STEP



Schlüter-VINPRO-STEP est un profilé de finition et de protection des chants pour revêtements souples (p. ex. lames ou dalles décorées LVT, revêtements design) dans les escaliers. Le profilé présente une forme rectangulaire et est doté d'une surface de marche non glissante.

(Fiche produit 18.4)



Schlüter®-VINPRO-STEP-ACGB

Alu. chromé anodisé brossé

H (mm)	L = 2,50 m Art.-No.	€ / m	KV (u.)
3	VPST 30 ACGB	8,96	120
4	VPST 40 ACGB	9,18	120
5	VPST 50 ACGB	9,45	120
★ 5,5	VPSTL 55 ACGB	10,25	120
★ 6	VPSTL 60 ACGB	10,60	120
★ 6,5	VPSTL 65 ACGB	10,95	120
★ 7	VPSTL 70 ACGB	11,30	120
★ 7,5	VPSTL 75 ACGB	11,65	120
★ 8	VPSTL 80 ACGB	12,00	120
★ 8,5	VPSTL 85 ACGB	12,35	120
★ 9	VPSTL 90 ACGB	12,70	120
★ 10	VPSTL 100 ACGB	13,10	120
★ 11	VPSTL 110 ACGB	13,30	120
★ 12,5	VPSTL 125 ACGB	13,60	120

Schlüter®-VINPRO-STEP-ATGB

Alu. titane anodisé brossé

H (mm)	L = 2,50 m Art.-No.	€ / m	KV (u.)
3	VPST 30 ATGB	8,96	120
4	VPST 40 ATGB	9,18	120
5	VPST 50 ATGB	9,45	120
★ 5,5	VPSTL 55 ATGB	10,25	120
★ 6	VPSTL 60 ATGB	10,60	120
★ 6,5	VPSTL 65 ATGB	10,95	120
★ 7	VPSTL 70 ATGB	11,30	120
★ 7,5	VPSTL 75 ATGB	11,65	120
★ 8	VPSTL 80 ATGB	12,00	120
★ 8,5	VPSTL 85 ATGB	12,35	120
★ 9	VPSTL 90 ATGB	12,70	120
★ 10	VPSTL 100 ATGB	13,10	120
★ 11	VPSTL 110 ATGB	13,30	120
★ 12,5	VPSTL 125 ATGB	13,60	120

Schlüter®-VINPRO-STEP-ABGB

Alu. bronze anodisé brossé

H (mm)	L = 2,50 m Art.-No.	€ / m	KV (u.)
3	VPST 30 ABGB	8,96	120
4	VPST 40 ABGB	9,18	120
5	VPST 50 ABGB	9,45	120
★ 5,5	VPSTL 55 ABGB	10,25	120
★ 6	VPSTL 60 ABGB	10,60	120
★ 6,5	VPSTL 65 ABGB	10,95	120
★ 7	VPSTL 70 ABGB	11,30	120
★ 7,5	VPSTL 75 ABGB	11,65	120
★ 8	VPSTL 80 ABGB	12,00	120
★ 8,5	VPSTL 85 ABGB	12,35	120
★ 9	VPSTL 90 ABGB	12,70	120
★ 10	VPSTL 100 ABGB	13,10	120
★ 11	VPSTL 110 ABGB	13,30	120
★ 12,5	VPSTL 125 ABGB	13,60	120

i
Disponible à partir du mois de
mars 2022

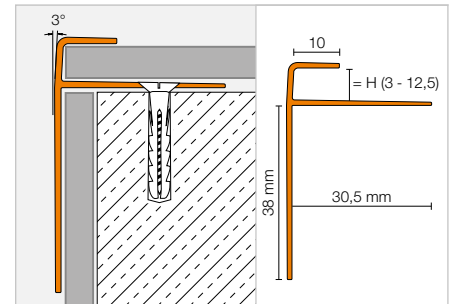
PROFILÉ POUR ESCALIER

Schlüter®-VINPRO-STEP-R



Schlüter-VINPRO-STEP-R est un profilé de finition et de protection des chauts pour revêtements souples (p. ex. lames ou dalles décorées LVT, revêtements design) dans les escaliers. La partie supérieure du profilé présente une aile inclinée et arrondie de 10 mm de large, destinée à cacher l'arête du revêtement souple.

La partie verticale allongée au niveau de la contremarche améliore la visibilité. La fixation par vis de VINPRO-STEP-R est assurée par une ailette de fixation conique dotée de plusieurs orifices répartis à distance régulière sur toute la longueur du profilé. Cette ailette de fixation peut également être collée directement sur le support à l'aide d'une colle de montage comme p. ex. Schlüter-KERDI-FIX. (Fiche produit 18.4)




 Disponible à partir du mois de mars 2022

Schlüter®-VINPRO-STEP-R-ACGB ★

Alu. chromé anodisé brossé

H (mm)	L = 2,50 m Art.-No.	€ / m	KV (u.)
3	VPSTRL 30 ACGB	13,25	120
4	VPSTRL 40 ACGB	13,50	120
5	VPSTRL 50 ACGB	13,60	120
5,5	VPSTRL 55 ACGB	13,75	120
6	VPSTRL 60 ACGB	14,00	120
6,5	VPSTRL 65 ACGB	14,50	120
7	VPSTRL 70 ACGB	15,00	120
7,5	VPSTRL 75 ACGB	15,50	120
8	VPSTRL 80 ACGB	16,00	120
8,5	VPSTRL 85 ACGB	16,50	120
9	VPSTRL 90 ACGB	17,00	120
10	VPSTRL 100 ACGB	17,50	120
11	VPSTRL 110 ACGB	18,00	120
12,5	VPSTRL 125 ACGB	18,75	120

Schlüter®-VINPRO-STEP-R-ATGB ★

Alu. titane anodisé brossé

H (mm)	L = 2,50 m Art.-No.	€ / m	KV (u.)
3	VPSTRL 30 ATGB	13,25	120
4	VPSTRL 40 ATGB	13,50	120
5	VPSTRL 50 ATGB	13,60	120
5,5	VPSTRL 55 ATGB	13,75	120
6	VPSTRL 60 ATGB	14,00	120
6,5	VPSTRL 65 ATGB	14,50	120
7	VPSTRL 70 ATGB	15,00	120
7,5	VPSTRL 75 ATGB	15,50	120
8	VPSTRL 80 ATGB	16,00	120
8,5	VPSTRL 85 ATGB	16,50	120
9	VPSTRL 90 ATGB	17,00	120
10	VPSTRL 100 ATGB	17,50	120
11	VPSTRL 110 ATGB	18,00	120
12,5	VPSTRL 125 ATGB	18,75	120

Schlüter®-VINPRO-STEP-R-ABGB ★

Alu. bronze anodisé brossé

H (mm)	L = 2,50 m Art.-No.	€ / m	KV (u.)
3	VPSTRL 30 ABGB	13,25	120
4	VPSTRL 40 ABGB	13,50	120
5	VPSTRL 50 ABGB	13,60	120
5,5	VPSTRL 55 ABGB	13,75	120
6	VPSTRL 60 ABGB	14,00	120
6,5	VPSTRL 65 ABGB	14,50	120
7	VPSTRL 70 ABGB	15,00	120
7,5	VPSTRL 75 ABGB	15,50	120
8	VPSTRL 80 ABGB	16,00	120
8,5	VPSTRL 85 ABGB	16,50	120
9	VPSTRL 90 ABGB	17,00	120
10	VPSTRL 100 ABGB	17,50	120
11	VPSTRL 110 ABGB	18,00	120
12,5	VPSTRL 125 ABGB	18,75	120



Schlüter®-DITRA

Étanchéité, découplage, drainage composite,
surface tempérée électrique, isolation acoustique

Les nattes de la gamme Schlüter-DITRA sont reconnues depuis plus de 30 ans. Elles permettent la pose de carrelage sur de multiples supports. La natte Schlüter-DITRA-DRAIN, par exemple, est la première natte de drainage à capillaire passif qui découple et assure une ventilation en sous-face du revêtement. Elle permet ainsi un séchage rapide du mortier-colle, également sous les revêtements de grand format. Schlüter-DITRA-HEAT-E permet de réaliser une surface tempérée électrique réactive et peu onéreuse en personnalisant les zones chauffées.





Découplage	
Schlüter®-DITRA 25	132
Découplage et drainage composite	
Schlüter®-DITRA-DRAIN	133–134
Découplage et chauffage	
Schlüter®-DITRA-HEAT	135
Schlüter®-DITRA-HEAT-E	136–139
Régulation de température	
Schlüter®-DITRA-HEAT-E-R	140
Câble de chauffage	
Schlüter®-DITRA-HEAT-E-HK	141
Isolation acoustique	
Schlüter®-DITRA-SOUND	143
Accessoires	
Schlüter®-DITRA-HEAT-E-KARO	141
Schlüter®-DITRA-HEAT-E-CT	142
Schlüter®-DITRA-HEAT-E-ZS	142



Schlüter®-DITRA

LA référence

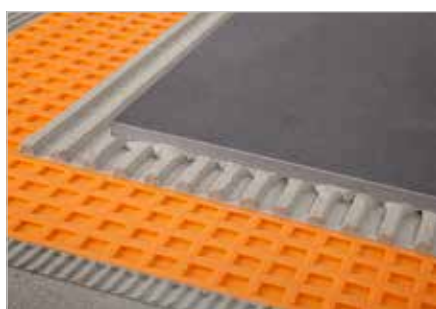
La natte DITRA a fait ses preuves dans le monde entier depuis plus de 30 ans en tant que solution universelle pour la pose de carreaux. Seule Schlüter-DITRA offre les fonctionnalités suivantes :

- ✓ Étanchéité
- ✓ Désolidarisation / Découplage
- ✓ Égalisation de la pression de vapeur
- ✓ Répartition des charges
- ✓ Répartition de la chaleur

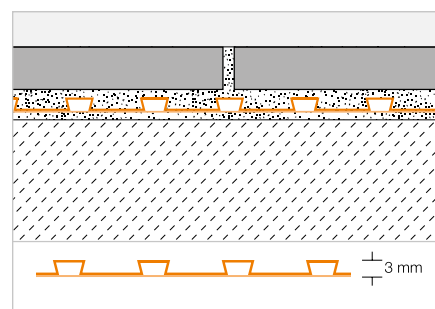


DÉCOUPLAGE

Schlüter®-DITRA 25



Schlüter-DITRA 25 est une natte en polyéthylène pourvue de nervures entrecroisées découpées en queue d'aronde et revêtue d'un non-tissé sur sa face inférieure. Elle s'utilise en découplage, en système de protection à l'eau sous carrelage (SPEC) et en couche d'égalisation de la pression de vapeur pour la pose des revêtements carrelés. Pour pose collée. Sous Avis Technique CSTB. (Fiche produit 6.1)



Schlüter®-DITRA 25

Rouleau

L (m)	Largeur = 1,00 m Art.-No.	€/ m ²	PL (Rouleau)
5	DITRA 25 5M	21,03	22
30	DITRA 25 30M	17,43	6

Outil conseillé :

Schlüter-TROWEL, denture 4x4, voir page 291.

Schlüter®-DITRA-DRAIN

Pour les plus grands formats



Les contraintes liées aux carreaux de grand format sont élevées, notamment lors de la pose. Schlüter-DITRA-DRAIN assure la ventilation en sous-face de la surface carrelée avec un séchage rapide du mortier-colle. Elle possède les fonctions suivantes :

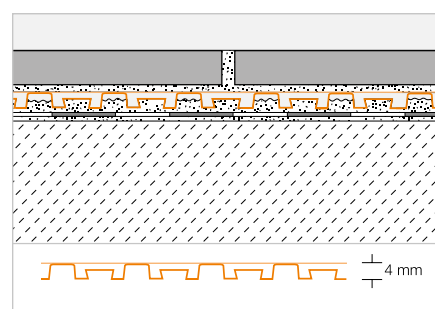
- ✓ Égalisation de la pression de vapeur
- ✓ Désolidarisation / Découplage
- ✓ Drainage en pose collée

DRAINAGE COMPOSITE

Schlüter®-DITRA-DRAIN 4



Schlüter-DITRA-DRAIN 4 est une natte en polyéthylène indéformable avec une structure à plots unilatérale et un non-tissé en polypropylène collé sur la face supérieure. Elle s'utilise en combinaison avec les revêtements carrelés en tant que couche de découplage et/ou drainage composite à capillaire passif durablement efficace. Pour pose collée.
(Fiche produit 6.2)



Schlüter®-DITRA-DRAIN 4

Rouleau

L (m)	Largeur = 1,00 m Art.-No.	€/ m ²	PL (Rouleau)
10	DITRA-DRAIN 10M	21,95	12
25	DITRA-DRAIN 25M	19,81	6

Schlüter®-DITRA-DRAIN-STU

Bande de pontage autocollante

L (m)	Largeur = 90 mm Art.-No.	€/ m	P (u.)
5	STUV KB 90/ 5M	7,04	10
30	STUV KB 90/30M	6,22	10



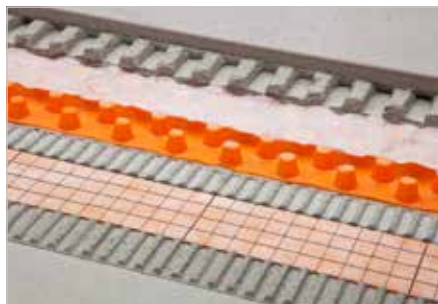
Outil conseillé :

Schlüter-TROWEL, denture 6x6, voir page 291.



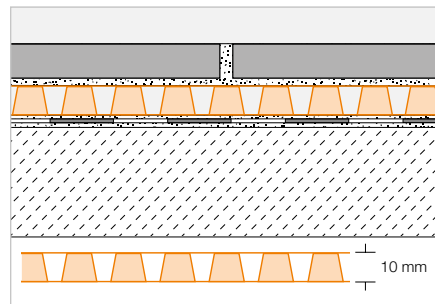
DRAINAGE COMPOSITE

Schlüter®-DITRA-DRAIN 8



Schlüter-DITRA-DRAIN 8 est une natte en polyéthylène indéformable avec une structure à plots spéciale d'un côté. Elle comporte sur sa face inférieure un non-tissé pour l'ancrage dans le mortier-colle et, sur sa face supérieure, un non-tissé filtrant spécial. En tant que couche de découplage et drainage composite à capillaire passif efficace et durable, Schlüter-DITRA-DRAIN 8 est un support universel pour des revêtements carrelés ou en pierre naturelle. Pour pose collée.

(Fiche produit 6.2)



Schlüter®-DITRA-DRAIN 8

Rouleau

L (m)	Largeur = 1,00 m Art.-No.	€/ m ²	PL (Rouleau)
12,5	DITRA-DRAIN 8 12M	21,03	6

Schlüter®-DITRA-DRAIN-STU

Bande de pontage autocollante

L (m)	Largeur = 90 mm Art.-No.	€/ m	P (u.)
5	STUV KB 90/ 5M	7,04	10
30	STUV KB 90/30M	6,22	10

Outil conseillé :

Schlüter-TROWEL, denture 4x4, voir page 291.

Schlüter®-DITRA-HEAT-E

Pour avoir les pieds au chaud

Schlüter-DITRA-HEAT-E vous offre un confort sur mesure quelles que soient la forme et la taille du local. Grâce à sa montée en température rapide et à sa programmation, le plaisir d'avoir chaud aux pieds est désormais accessible pour un prix avantageux. La simplicité de pose des câbles de chauffage dans la natte de découplage assure un important gain de temps lors du chantier.

- ✓ **Ambiance agréable, convient aussi aux personnes allergiques**
- ✓ **Zones chauffées personnalisées**
- ✓ **Économique, pérenne et ne nécessitant pas d'entretien**
- ✓ **Découpe et pose encore plus faciles**
- ✓ **Désolidarise le revêtement du support**
- ✓ **Schlüter-DITRA-HEAT-DUO apporte également une isolation contre les bruits de choc**
- ✓ **S'utilise également comme protection à l'eau**



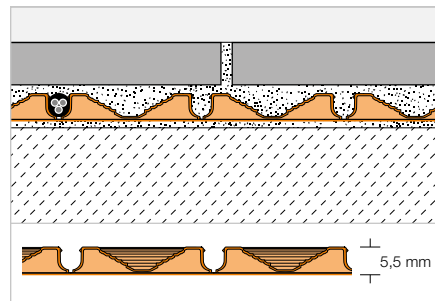
DÉCOUPLAGE | CHAUFFAGE

Schlüter®-DITRA-HEAT



Schlüter-DITRA-HEAT est une natte en polypropylène présentant une structure à plots en queue d'aronde et revêtue d'un non-tissé sur sa face inférieure. Elle assure les fonctions de découplage, de protection à l'eau (SPEC) et d'égalisation de la pression de vapeur. Elle peut recevoir des câbles de chauffage compatibles avec le système pour réaliser un chauffage électrique au sol ou au mur, pour revêtements carrelés. Pour pose collée.

(Fiche produit 6.4)



Schlüter®-DITRA-HEAT-MA

Plaque

L x B = m ²	Art.-No.	€ / m ²	PL (u.)
0,8 x 0,98 = 0,78	DH5 MA	20,85	100

Outil conseillé :

Schlüter-TROWEL, denture 6x6, voir page 291.

Schlüter®-DITRA-HEAT

Rouleau

L x B = m ²	Art.-No.	€ / m ²	PL (Rouleau)
12,76 x 0,98 = 12,5	DH5 12M	18,53	6



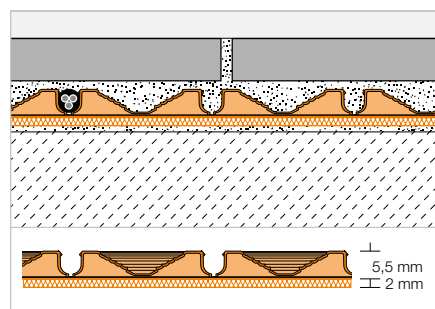
DÉCOUPLAGE | CHAUFFAGE

Schlüter®-DITRA-HEAT-DUO



Schlüter-DITRA-HEAT-DUO est une natte en polypropylène présentant une structure à plots en queue d'aronde, revêtue au dos d'un non-tissé spécial de 2 mm d'épaisseur. Elle sert de support universel pour la pose de revêtements carrelés et assure les fonctions de protection à l'eau (SPEC), de désolidarisation et d'égalisation de la pression de vapeur ; elle peut recevoir des câbles de chauffage compatibles avec le système pour réaliser un chauffage par le sol ou par les murs. Le support non-tissé avec barrière thermique permet non seulement de réduire les bruits de choc jusqu'à 13 dB, mais aussi d'accélérer la montée en température du carrelage en sol et en mur. Pour pose collée.

(Fiche produit 6.4)



Schlüter®-DITRA-HEAT-DUO-MA

Plaque avec barrière thermique de 2 mm en non-tissé

L x B = m ²	Art.-No.	€ / m ²	PL (u.)
0,8 x 0,98 = 0,78	DH D 8 MA	25,30	100

Outil conseillé :

Schlüter-TROWEL, denture 6x6, voir page 291.

Schlüter®-DITRA-HEAT-DUO

Rouleau avec barrière thermique de 2 mm en non-tissé

L x B = m ²	Art.-No.	€ / m ²	PL (Rouleau)
10,2 x 0,98 = 10	DH D 810 M	22,46	6

Nota : Pour la pose du système Schlüter-DITRA-HEAT dans les pièces humides, se référer à la norme NF C 15-100-701.





DÉCOUPLAGE | CHAUFFAGE



Schlüter®-DITRA-HEAT-E-S1/S2/S3



Schlüter-DITRA-HEAT-E-S1/S2/S3 sont des kits complets pour la réalisation d'un chauffage ou d'une surface tempérée électrique au sol ou au mur. Ils comprennent la natte de découplage Schlüter-DITRA-HEAT-MA, les câbles de chauffage Schlüter-DITRA-HEAT-E-HK et le régulateur avec sondes Schlüter-DITRA-HEAT-E-R à écran tactile ou le régulateur avec sondes Schlüter-DITRA-HEAT-E-R-WIFI à écran tactile. La surface découplée peut être étendue à l'ensemble du support en commandant de la natte Schlüter-DITRA-HEAT supplémentaire.
(Fiche produit 6.4)

Tous les kits comprennent :

- Schlüter-DITRA-HEAT-MA – Panneaux de natte de découplage (cf. tableau)
- Câble de chauffage Schlüter-DITRA-HEAT-E-HK selon tableau (pose tous les 3 plots $\hat{=}$ 136 W/m² / pose tous les 2 plots $\hat{=}$ 200 W/m²)
- 1 régulateur de température à écran tactile Schlüter-DITRA-HEAT-E-R ou régulateur de température WiFi à écran tactile
- 2 boîtes de raccordement
- 1 gaine vide (3 m)

Schlüter®-DITRA-HEAT-E-S1/S2/S3

Kit complet pour sol et murs

Schlüter®-DITRA-HEAT-MA		Schlüter®-DITRA-HEAT-E-HK				Art.-No.	€ / Kit	P (kit)
Nombre de dalles	Surface découplée en m ²	Sol chauffé 136 W/m ² *		Mur chauffé 200 W/m ² **				
		m ²	W	m ²	W			
4	3,1	2,2	300	1,5	300	DH S3	483,76	9
7	5,4	3,8	525	2,6	525	DH S1	645,01	4
10	7,8	5,5	750	3,7	750	DH S2	800,70	4

Schlüter®-DITRA-HEAT-E-S1/S2/S3

Kit complet pour sol et murs avec WiFi

Schlüter®-DITRA-HEAT-MA		Schlüter®-DITRA-HEAT-E-HK				Art.-No.	€ / Kit	P (kit)
Nombre de dalles	Surface découplée en m ²	Sol chauffé 136 W/m ² *		Mur chauffé 200 W/m ² **				
		m ²	W	m ²	W			
4	3,1	2,2	300	1,5	300	DH RT5 S3	500,83	9
7	5,4	3,8	525	2,6	525	DH RT5 S1	660,47	4
10	7,8	5,5	750	3,7	750	DH RT5 S2	816,85	4

* Autorisé au sol et au mur ** Uniquement autorisé au mur

Nota : Pour la pose du système Schlüter-DITRA-HEAT dans les pièces humides, se référer à la norme NF C 15-100-701.

DÉCOUPLAGE | CHAUFFAGE



Schlüter®-DITRA-HEAT-E-WS



Schlüter-DITRA-HEAT-E-WS1/WS2 sont des kits complets pour la réalisation d'un chauffage ou d'une surface tempérée électrique au mur. Ils comprennent la natte de découplage Schlüter-DITRA-HEAT-MA, les câbles de chauffage Schlüter-DITRA-HEAT-E-HK et le régulateur de température à écran tactile Schlüter-DITRA-HEAT-E-R ou le régulateur de température WiFi à écran tactile Schlüter-DITRA-HEAT-E-R-WIFI. La surface découpée peut être étendue à l'ensemble du support en commandant de la natte Schlüter-DITRA-HEAT supplémentaire.
(Fiche produit 6.4)

Tous les kits comprennent :

- Schlüter-DITRA-HEAT-MA – Panneaux de natte de découplage (cf. tableau)
- Câble de chauffage Schlüter-DITRA-HEAT-E-HK selon tableau (pose tous les 2 plots $\hat{=}$ 200 W/m²)
- 1 régulateur de température à écran tactile Schlüter-DITRA-HEAT-E-R ou régulateur de température WiFi à écran tactile
- 2 boîtes de raccordement
- 1 gaine vide (3 m)

Schlüter®-DITRA-HEAT-E-WS1/WS2

Kit complet pour murs

Schlüter®-DITRA-HEAT-MA		Schlüter®-DITRA-HEAT-E-HK		Art.-No.	€ / Kit	P (kit)
Nombre de dalles	Surface découpée en m ²	Mur chauffé 200 W/m ²				
		m ²	W			
3	2,3	1,8	375	DH WS2	517,13	9
4	3,1	2,6	525	DH WS1	611,65	9

Schlüter®-DITRA-HEAT-E-WS1/WS2



Kit complet pour murs avec WiFi

Schlüter®-DITRA-HEAT-MA		Schlüter®-DITRA-HEAT-E-HK		Art.-No.	€ / Kit	P (kit)
Nombre de dalles	Surface découpée en m ²	Mur chauffé 200 W/m ²				
		m ²	W			
3	2,3	1,8	375	DH RT5 WS2	532,54	9
4	3,1	2,6	525	DH RT5 WS1	627,67	9

Nota : Pour la pose du système Schlüter-DITRA-HEAT dans les pièces humides, se référer à la norme NF C 15-100-701.



DÉCOUPLAGE | CHAUFFAGE



Schlüter®-DITRA-HEAT-E-DUO-S



Schlüter-DITRA-HEAT-E-DUO-S sont des kits complets pour la réalisation d'un chauffage ou d'une surface tempérée électrique sous des revêtements carrelés. Ils comprennent la natte de découplage Schlüter-DITRA-HEAT-DUO-MA (0,8 x 0,98 m), les câbles de chauffage Schlüter-DITRA-HEAT-E-HK et le régulateur Schlüter-DITRA-HEAT-E-R à écran tactile ou le régulateur de température WiFi à écran tactile Schlüter-DITRA-HEAT-E-R-WIFI. Le non-tissé spécial sur la face inférieure des plaques apporte un affaiblissement acoustique aux bruits de choc, et permet une montée en température du carrelage plus rapide. La surface découpée peut être étendue à l'ensemble du support en commandant de la natte Schlüter-DITRA-HEAT-DUO supplémentaire.

(Fiche produit 6.4)

Tous les kits comprennent :

- Schlüter-DITRA-HEAT-DUO-MA – Panneaux de natte de découplage (cf. tableau)
- Câble de chauffage Schlüter-DITRA-HEAT-E-HK selon tableau (pose tous les 3 plots $\hat{=}$ 136 W/m² / pose tous les 2 plots $\hat{=}$ 200 W/m²)
- 1 régulateur de température à écran tactile Schlüter-DITRA-HEAT-E-R ou régulateur de température WiFi à écran tactile
- 2 boîtes de raccordement
- 1 gaine vide (3 m)

Schlüter®-DITRA-HEAT-E-DUO-S

Kit complet pour sol et murs

Nombre de dalles	Surface découpée en m ²	Schlüter®-DITRA-HEAT-E-HK				Art.-No.	€ / Kit	P (kit)
		Sol chauffé 136 W/m ² *		Mur chauffé 200 W/m ² **				
		m ²	W	m ²	W			
2	1,5	1,1	150	0,7	150	DH D S1	430,38	9
3	2,3	1,6	225	1	225	DH D S2	478,20	9
4	3,1	2,2	300	1,5	300	DH D S3	517,13	9
5	3,9	2,7	375	1,8	375	DH D S4	572,73	8
6	4,7	3,3	450	2,2	450	DH D S5	628,33	8
7	5,4	3,8	525	2,6	525	DH D S6	691,72	5
8	6,2	4,4	600	2,9	600	DH D S7	747,32	5
9	7	5	675	3,3	675	DH D S8	814,05	4
10	7,8	5,5	750	3,7	750	DH D S9	861,87	4

Schlüter®-DITRA-HEAT-E-DUO-S



Kit complet pour sol et murs avec WiFi

Nombre de dalles	Surface découpée en m ²	Schlüter®-DITRA-HEAT-E-HK				Art.-No.	€ / Kit	P (kit)
		Sol chauffé 136 W/m ² *		Mur chauffé 200 W/m ² **				
		m ²	W	m ²	W			
2	1,5	1,1	150	0,7	150	DH D RT5 S1	448,34	9
3	2,3	1,6	225	1	225	DH D RT5 S2	494,26	9
4	3,1	2,2	300	1,5	300	DH D RT5 S3	532,54	9
5	3,9	2,7	375	1,8	375	DH D RT5 S4	588,31	8
6	4,7	3,3	450	2,2	450	DH D RT5 S5	644,07	8
7	5,4	3,8	525	2,6	525	DH D RT5 S6	707,50	5
8	6,2	4,4	600	2,9	600	DH D RT5 S7	763,27	5
9	7	5	675	3,3	675	DH D RT5 S8	829,97	4
10	7,8	5,5	750	3,7	750	DH D RT5 S9	880,26	4

* Autorisé au sol et au mur ** Uniquement autorisé au mur

Nota : Pour la pose du système Schlüter-DITRA-HEAT dans les pièces humides, se référer à la norme NF C 15-100-701.

DÉCOUPLAGE | CHAUFFAGE



Schlüter®-DITRA-HEAT-E-DUO-WS



Schlüter-DITRA-HEAT-E-DUO-WS10/-WS11 sont des kits complets pour la réalisation de panneaux muraux carrelés chauffants. Ils comprennent la natte de découplage Schlüter-DITRA-HEAT-DUO-MA (0,8 x 0,98 m), les câbles de chauffage Schlüter-DITRA-HEAT-E-HK et le régulateur Schlüter-DITRA-HEAT-E-R à écran tactile ou le régulateur de température WiFi à écran tactile Schlüter-DITRA-HEAT-E-R-WIFI. Grâce à un non-tissé spécial, la natte apporte un affaiblissement acoustique aux bruits de choc, et permet une montée en température du carrelage plus rapide. La surface découpée peut être étendue à l'ensemble du support en commandant de la natte Schlüter-DITRA-HEAT-DUO supplémentaire.
(Fiche produit 6.4)

Tous les kits comprennent :

- Schlüter-DITRA-HEAT-DUO-MA – Panneaux de natte de découplage (cf. tableau)
- Câble de chauffage Schlüter-DITRA-HEAT-E-HK selon tableau (pose tous les 2 plots $\hat{=}$ 200 W/m²)
- 1 régulateur de température à écran tactile Schlüter-DITRA-HEAT-E-R ou régulateur de température WiFi à écran tactile
- 2 boîtes de raccordement
- 1 gaine vide (3 m)

Schlüter®-DITRA-HEAT-E-DUO-WS

Kit complet pour murs

Schlüter®-DITRA-HEAT-DUO-MA		Schlüter®-DITRA-HEAT-E-HK		Art.-No.	€ / Kit	P (kit)
Nombre de dalles	Surface découpée en m ²	Mur chauffé 200 W/m ²				
		m ²	W			
3	2,3	1,8	375	DH D S11	527,57	9
4	3,1	2,6	525	DH D S10	625,55	9

Schlüter®-DITRA-HEAT-E-DUO-WS



Kit complet pour murs avec WiFi

Schlüter®-DITRA-HEAT-DUO-MA		Schlüter®-DITRA-HEAT-E-HK		Art.-No.	€ / Kit	P (kit)
Nombre de dalles	Surface découpée en m ²	Mur chauffé 200 W/m ²				
		m ²	W			
3	2,3	1,8	375	DH D RT5 S11	543,47	9
4	3,1	2,6	525	DH D RT5 S10	641,89	9

Nota : Pour la pose du système Schlüter-DITRA-HEAT dans les pièces humides, se référer à la norme NF C 15-100-701.



THERMOSTAT

Schlüter®-DITRA-HEAT-E-R-WIFI



Schlüter-DITRA-HEAT-E-R-WIFI est un régulateur de température avec écran tactile de 5,1 cm permettant de programmer le système Schlüter-DITRA-HEAT-E. Il peut être commandé par le biais de l'écran tactile, et d'un smartphone ou d'une tablette grâce à l'application gratuite Schlüter-HEAT-CONTROL via un réseau Wi-Fi. L'appareil est utilisable au choix en tant que simple régulateur de la température du revêtement ou pour une régulation prenant en compte la température ambiante. Le régulateur est livré avec deux sondes.

(Fiche produit 6.4)

Schlüter®-DITRA-HEAT-E-R-WIFI

Kit régulateur de température (230 V) à écran tactile, avec deux sondes et fonction WiFi

Art.-No.	€ / Kit	P (kit)
DH E RT 5 / BW	274,49	10

Schlüter®-DITRA-HEAT-E-R



Schlüter-DITRA-HEAT-E-R est un régulateur de température avec écran tactile de 5,1 cm permettant de programmer le système Schlüter-DITRA-HEAT-E. L'appareil est utilisable au choix en tant que simple régulateur de la température ou pour une régulation prenant en compte la température ambiante. Le régulateur est livré avec deux sondes.

(Fiche produit 6.4)

Schlüter®-DITRA-HEAT-E-R

Kit régulateur de température (230 V) à écran tactile, avec deux sondes

Art.-No.	€ / Kit	P (kit)
DH E RT 2 / BW	198,99	10

Schlüter®-DITRA-HEAT-E-R3



Schlüter-DITRA-HEAT-E-R3 est un régulateur de température avec écran tactile de 8,9 cm permettant de programmer le système Schlüter-DITRA-HEAT-E. Il peut s'utiliser au choix en tant que simple régulateur de température ou pour une régulation prenant en compte la température ambiante. Le régulateur est livré avec deux sondes.

(Fiche produit 6.4)

Schlüter®-DITRA-HEAT-E-R3

Kit régulateur de température (230 V) à écran tactile, avec deux sondes

Art.-No.	€ / Kit	P (kit)
DH E RT 3 / BW	264,37	10

Schlüter®-DITRA-HEAT-E-R4



Schlüter-DITRA-HEAT-E-R4 est un régulateur de température analogique pour le système Schlüter-DITRA-HEAT-E. Ce régulateur dispose d'un interrupteur marche-arrêt ainsi que d'une molette pour le réglage de la température. Le régulateur est livré avec deux sondes.

(Fiche produit 6.4)

Schlüter®-DITRA-HEAT-E-R4

Kit régulateur de température (230 V), interrupteur marche/arrêt, avec deux sondes

Art.-No.	€ / Kit	P (kit)
DH E RT 4 / BW	148,40	10

Nota :

En cas de pose de la sonde directement dans la natte de découplage Schlüter-DITRA-HEAT, il est recommandé d'installer également la sonde de réserve fournie.

Nota : Pour la pose du système Schlüter-DITRA-HEAT dans les pièces humides, se référer à la norme NF C 15-100-701.

CÂBLE DE CHAUFFAGE

Schlüter®-DITRA-HEAT-E-HK



Schlüter-DITRA-HEAT-E-HK est un câble de chauffage électrique muni d'un raccordement à l'une de ses extrémités et destiné à être posé dans la natte de découplage Schlüter-DITRA-HEAT.

(Fiche produit 6.4)

Schlüter®-DITRA-HEAT-E-HK

Câble de chauffage

L (m)	Sol chauffé 136 W/m ² *	Mur chauffé 200 W/m ² **	Watt	Art.-No.	€ / u.	P (u.)
	m ²	m ²				
4	0,4	0,25	50	DH E HK 4	106,00	10
6,76	0,6	0,43	85	DH E HK 6	112,61	10
12,07	1,1	0,7	150	DH E HK 12	173,89	10
17,66	1,6	1	225	DH E HK 17	205,61	10
23,77	2,2	1,5	300	DH E HK 23	229,11	10
29,87	2,7	1,8	375	DH E HK 29	270,24	10
35,97	3,3	2,2	450	DH E HK 35	311,35	10
41,56	3,8	2,6	525	DH E HK 41	346,59	10
47,67	4,4	2,9	600	DH E HK 47	397,13	10
53,77	5	3,3	675	DH E HK 53	440,61	10
59,87	5,5	3,7	750	DH E HK 59	469,97	10
71,57	6,6	4,4	900	DH E HK 71	540,46	10
83,77	7,7	5,1	1050	DH E HK 83	634,46	10
95,47	8,8	5,9	1200	DH E HK 95	722,56	10
107,67	10	6,6	1350	DH E HK 107	793,08	10
136,16	12,7	8,4	1700	DH E HK 136	950,63	10
164,07	15	10	2050	DH E HK 164	1137,11	10
192,27	17,7	11,8	2400	DH E HK 192	1330,42	10
216,27	20	13,2	2700	DH E HK 216	1495,30	10
244,37	22,7	15,1	3050	DH E HK 244	1677,24	10

* Autorisé au sol et au mur ** Uniquement autorisé au mur

Nota :

Il est interdit de couper les câbles de chauffage. Lors du choix du câble de chauffage, il convient de noter que la surface chauffée en m² indiquée dans le tableau ne correspond pas à la surface totale de la pièce. Pour déterminer la surface chauffée, il faut retrancher de la surface totale de la pièce les surfaces non chauffées, par exemple les zones de bordure et les surfaces sur lesquelles des objets sont posés.

Nota : Pour la pose du système Schlüter-DITRA-HEAT dans les pièces humides, se référer à la norme NF C 15-100-701.

CHEVALET DÉROULEUR POUR CÂBLES DE CHAUFFAGE

Schlüter®-DITRA-HEAT-E-KARO



Schlüter-DITRA-HEAT-E-KARO est un chevalet dérouleur pour câbles de chauffage DITRA-HEAT-E – facile à transporter. Il est adapté à toutes les longueurs de câbles de chauffage DITRA-HEAT disponibles.

Schlüter®-DITRA-HEAT-E-KARO

Chevalet dérouleur pour câbles de chauffage

Art.-No.	€ / u.	P (u.)
DH ZK A	322,65	5



OUTIL DE CONTRÔLE

Schlüter®-DITRA-HEAT-E-CT



Schlüter-DITRA-HEAT-E-CT est un ohmmètre permettant de mesurer et de contrôler la résistance du câble de chauffage électrique Schlüter-DITRA-HEAT-E-HK et des sondes fournies avec les régulateurs Schlüter-DITRA-HEAT-E. Pendant toute la phase de mise en œuvre du système, cet appareil permet de contrôler la résistance des câbles de chauffage. En cas d'anomalie, un signal sonore est émis.

(Fiche produit 6.4)

Schlüter®-DITRA-HEAT-E-CT

Ohmmètre

Art.-No.	€ / u.	P (u.)
DH E CT	33,94	10

KIT DE MONTAGE

Schlüter®-DITRA-HEAT-E-ZS



Schlüter-DITRA-HEAT-E-ZS est un kit comprenant une gaine vide (2,5 m), une boîte de raccordement à bornes et un doigt de gant. Ce kit convient pour la mise en œuvre de la sonde déportée dans un décaissé dans le support.

(Fiche produit 6.4)

Schlüter®-DITRA-HEAT-E-ZS

Kit de montage pour régulateur de température

Art.-No.	€ / Kit	P (kit)
DH E ZS 1	13,64	10

Nota : Pour la pose du système Schlüter-DITRA-HEAT dans les pièces humides, se référer à la norme NF C 15-100-701.

Schlüter®-DITRA-SOUND

L'isolation acoustique sous carrelage



Les bruits qui apparaissent sur le sol provoquent des bruits de choc. Schlüter-DITRA-SOUND évite la propagation des bruits de choc (jusqu'à 13 dB) dans les locaux à rénover. Le gain correspond à une réduction de plus de 50% des bruits perçus. Cette solution réunit les caractéristiques suivantes :

- ✓ Isolation contre les bruits de choc
- ✓ Pontage des microfissures
- ✓ Répartition des charges

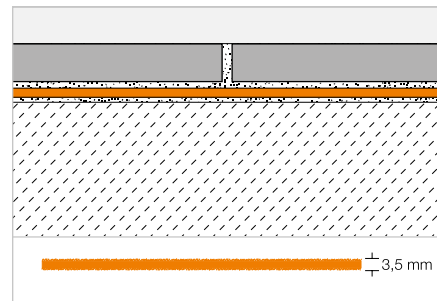
ISOLATION ACOUSTIQUE

Schlüter®-DITRA-SOUND



Schlüter-DITRA-SOUND est une dalle de polyéthylène recouverte de non-tissé pour l'ancrage dans le mortier-collé. En liaison avec les revêtements carrelés, Schlüter-DITRA-SOUND est une isolation acoustique composite contre les bruits de choc. Pour pose collée.

(Fiche produit 6.3)

**Nota :**

Le conditionnement par palette est possible pour des projets importants. DITRA-S 355 LV est alors livré sans suremballage, afin de réduire la quantité de déchets.

Schlüter®-DITRA-SOUND

Dalle PE

H (mm)	55 x 75 cm = 0,41 m ² Art.-No.	€ / m ²	PL (u.)
3,5	DITRA-S 355	26,99	400

Carton = 5 u.

Schlüter®-DITRA-SOUND

Dalles PE déconditionnées

H (mm)	55 x 75 cm = 0,41 m ² Art.-No.	€ / m ²	PL (u.)
3,5	DITRA-S 355 LV	25,94	400

BANDE DE PONTAGE | BANDE PÉRIPHÉRIQUE

**Schlüter®-DITRA-SOUND-KB**

Bande de pontage

38 mm x 50 m Art.-No.	€ / u.	P (u.)
DS KB 38	13,90	10

**Schlüter®-DITRA-SOUND-RSK**

Bande périphérique

6 x 30 mm x 10 m Art.-No.	€ / m	P (u.)
DS RSK 630	1,32	20

Outil conseillé :

Schlüter-TROWEL, denture 4x4, voir page 291.

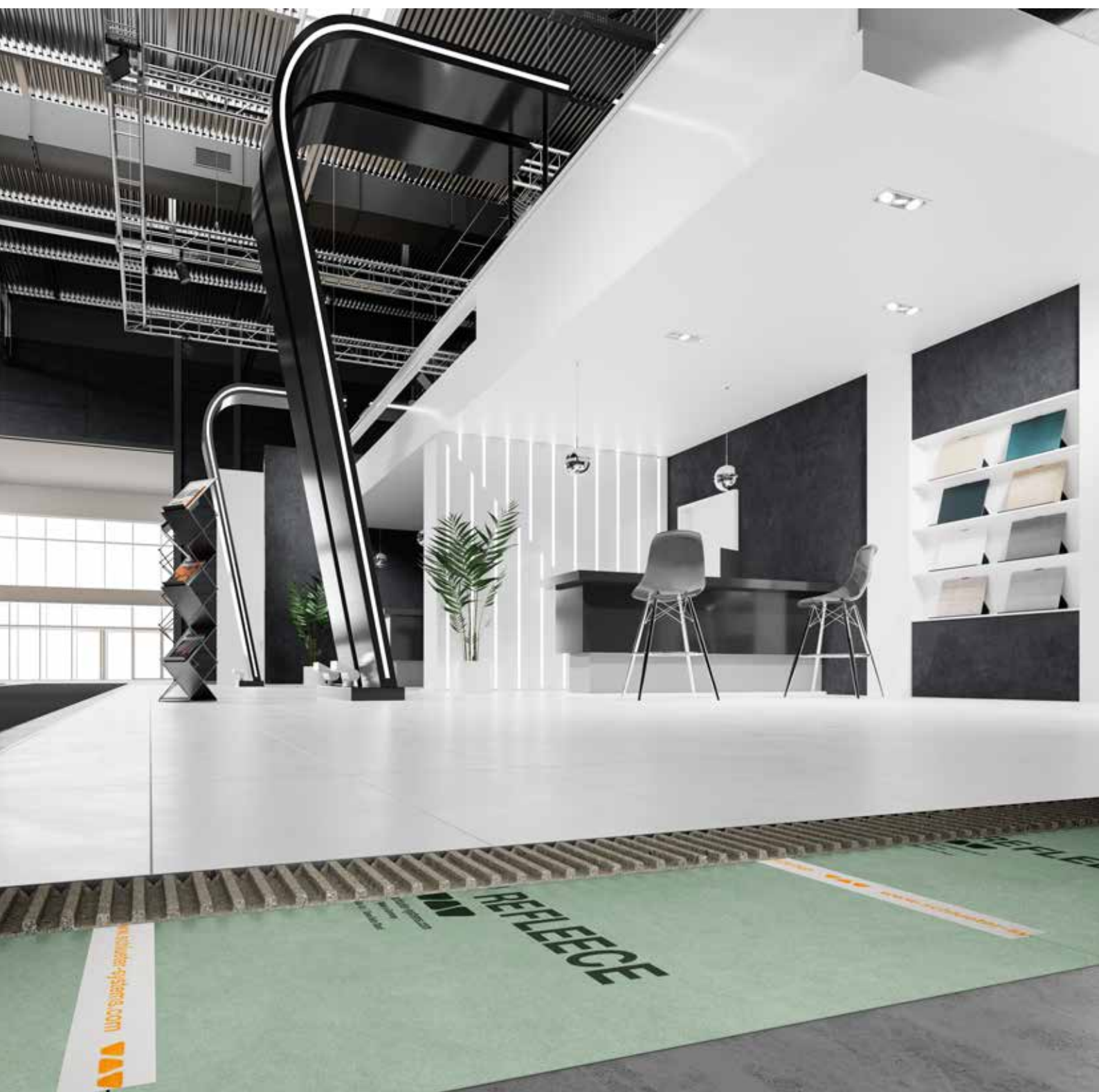


Schlüter®-REFLEECE

Non-tissé pour pose temporaire de revêtements

Expositions, salons, magasins sont autant de lieux où les revêtements de sol sont appelés à être remplacés régulièrement. Il est alors important de pouvoir les démonter facilement.

Schlüter-REFLEECE offre une solution pratique. Son non-tissé autocollant vous permet de poser de la céramique ou de la pierre naturelle, en servant d'interface entre le support existant et le mortier-colle. Vous pourrez ainsi retirer facilement les revêtements de sol sans endommager le support existant. Schlüter-REFLEECE est fabriqué à 100 % à partir de bouteilles PET recyclées.

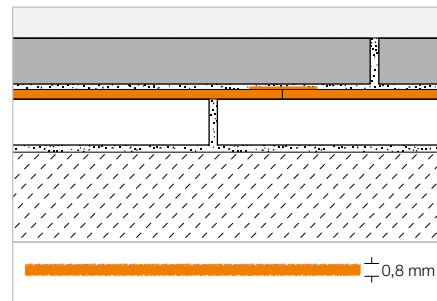


NON-TISSÉ POUR POSE TEMPORAIRE DE REVÊTEMENTS

Schlüter®-REFLEECE



Schlüter-REFLEECE est un non-tissé fabriqué à partir de PET recyclé dont le verso est auto-collant. Il permet de poser temporairement des revêtements de sol céramiques ou en pierre naturelle. Le démontage est ainsi facilité grâce au verso autocollant pouvant se décoller du support existant sans l'endommager. (Fiche produit 20.1)



Schlüter®-REFLEECE



Rouleau PET

1 m x 30 m Art.-No.	€/ m ²	PL (Rouleau)
REFL 30M	16,31	6

Schlüter®-DITRA-SOUND-KB

Bande de pontage

38 mm x 50 m Art.-No.	€/ u.	P (u.)
DS KB 38	13,90	10

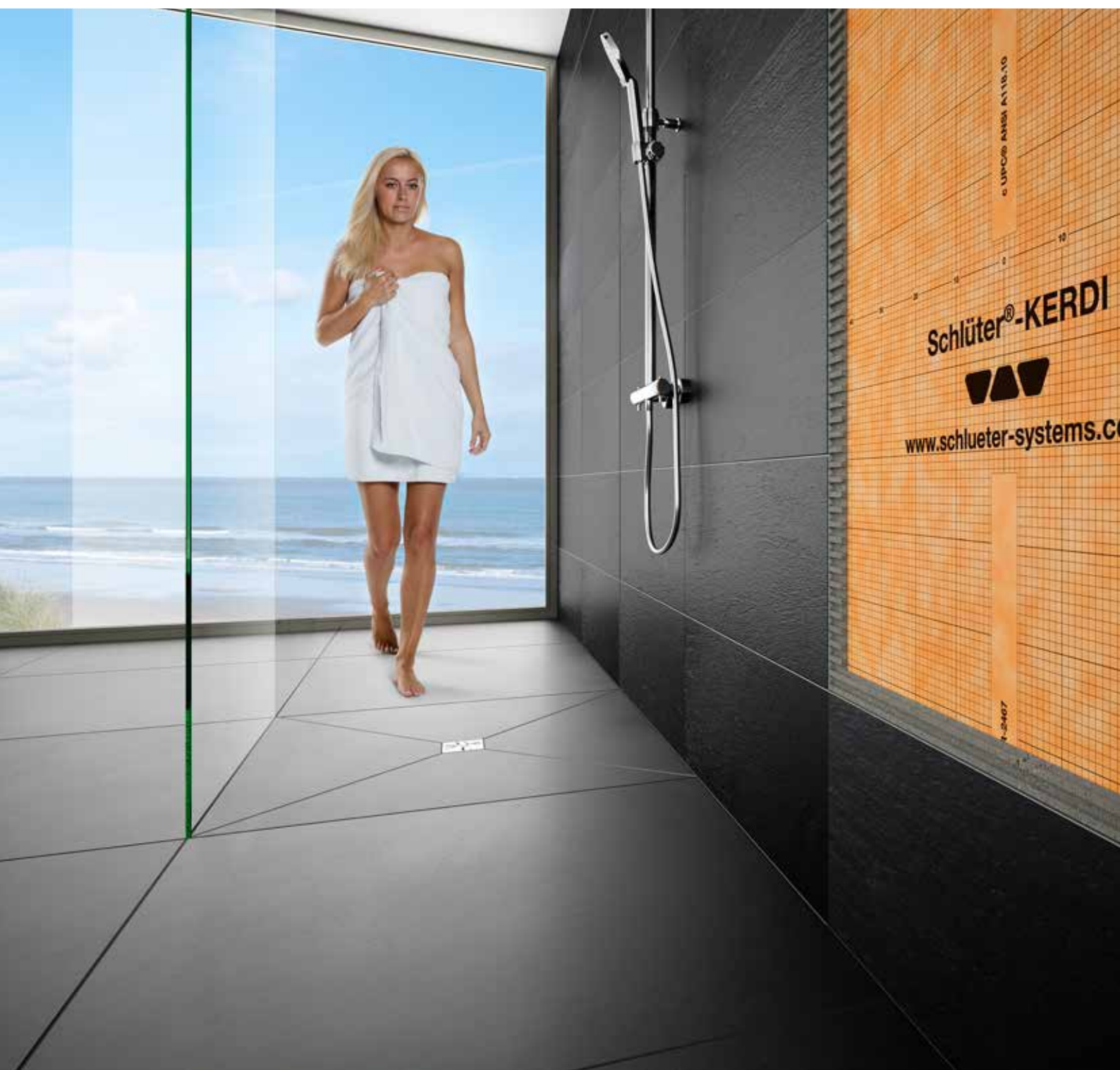




Schlüter®-KERDI

Étanchéité des murs et des sols,
évacuation de l'eau, tablettes

Schlüter-KERDI est un système d'étanchéité (SPEC et SEPI) en rouleau utilisé sous le revêtement carrelé. Sa découpe et sa mise en œuvre sont facilitées par le quadrillage imprimé sur les rouleaux. Schlüter-KERDI est complété par des bandes de pontage, des pièces d'angle et des collerettes pour le passage de tuyaux, collées avec la colle d'étanchéité Schlüter-KERDI-COLL-L et/ou avec la colle de montage Schlüter-KERDI-FIX. L'évacuation est assurée par les systèmes Schlüter-KERDI-DRAIN ou Schlüter-KERDI-LINE, Schlüter-KERDI-SHOWER permettant de réaliser des douches à l'italienne. Schlüter-Systems propose ainsi une gamme complète.





Schlüter®-KERDI

Étanchéité composite	148–154
----------------------	---------

Schlüter®-KERDI-LINE

Designs KERDI-LINE	156–157
Caniveaux filants	160–161
Kit grille/cadre	164–168, 171
Kits complets – douche à l'italienne	169
Caniveaux – corps de siphon horizontal	162, 172–176
Caniveaux – corps de siphon vertical	177–179
Accessoires	180–181

Schlüter®-KERDI-DRAIN

Designs KERDI-DRAIN	190
Évacuation pour l'intérieur	192–197
Évacuation pour l'extérieur	198–202
Kits complets – pour une pose libre en extérieur	203
Kits d'évacuation	207
Accessoires	204–206

Schlüter®-KERDI-SHOWER

Receveurs avec pente pour KERDI-LINE	182–183
Receveurs avec pente pour KERDI-DRAIN	209–210
Kits d'étanchéité KERDI-DRAIN	208

Schlüter®-SHOWERPROFILE

Profilé latéral avec pente	184
Profilés pour douches à l'italienne	185–188

Schlüter®-SHELF

Tablettes	212–221
-----------	---------



Schlüter®-KERDI

LA référence



Depuis plus de 30 ans, Schlüter-KERDI assure une étanchéité fiable en liaison avec du carrelage ou de la pierre naturelle. Grâce aux bandes d'étanchéité, aux pièces d'angles et à la colle Schlüter-KERDI-COLL-L, vous disposez d'un système complet pour réaliser une étanchéité qui a fait ses preuves. La natte est disponible en largeurs de 1 m, 1,50 m et 2 m.

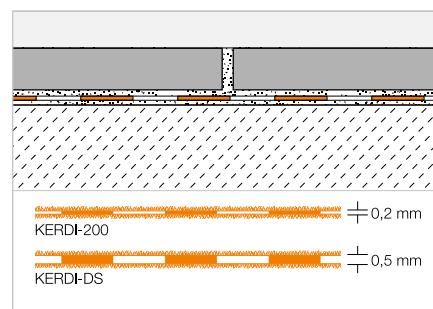
ÉTANCHÉITÉ COMPOSITE

Schlüter®-KERDI



Schlüter-KERDI est une natte d'étanchéité en polyéthylène dont les deux faces sont revêtues d'un non-tissé permettant un ancrage efficace dans le mortier-colle. Elle s'utilise sous les revêtements carrelés, au sol ou au mur. Schlüter-KERDI-DS est utilisée comme pare-vapeur en liaison avec le revêtement carrelé, du fait de sa résistance élevée à la diffusion de vapeur d'eau. Sous Avis Technique CSTB (Schlüter-KERDI-200). Pour pose collée.

(Fiche produit 8.1)



Schlüter®-KERDI-200

Rouleau

L (m)	m ²	Largeur = 1,00 m Art.-No.	€/ m ²	PL (Rouleau)
5	5	KERDI 200 / 5M	21,72	75
10	10	KERDI 200 / 10M	19,60	50
30	30	KERDI 200	17,84	20
Largeur = 1,50 m				
20	30	KERDI 200 150 / 20M	17,84	20
Largeur = 2,00 m				
15	30	KERDI 200 200 / 15M	17,84	20

Schlüter®-KERDI-DS

Pare-vapeur polyéthylène, en rouleau

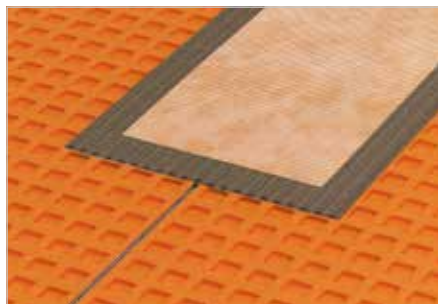
L (m)	Largeur = 1,00 m Art.-No.	€/ m ²	PL (Rouleau)
30	KERDI-DS	20,60	25

Outil conseillé :

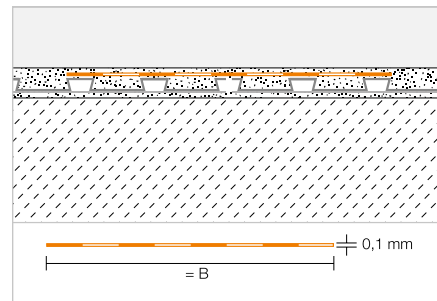
Schlüter-TROWEL, denture 4x4, voir page 291.

BANDE DE PONTAGE

Schlüter®-KERDI-KEBA



Schlüter-KERDI-KEBA est une bande en polyéthylène dont les deux faces sont revêtues d'un non-tissé, pour réaliser le pontage étanche entre les lés et les liaisons sol/murs. (Fiche produit 8.1)



Schlüter®-KERDI-KEBA

Rouleau

B (mm)	Rouleau = 30 m Art.-No.	€/m	PL (Rouleau)
85	KEBA 100 / 85	2,43	336
125	KEBA 100 / 125	3,65	210
150	KEBA 100 / 150	3,86	210
185	KEBA 100 / 185	5,00	168
250	KEBA 100 / 250	6,47	126

Schlüter®-KERDI-KEBA/5M

Rouleau

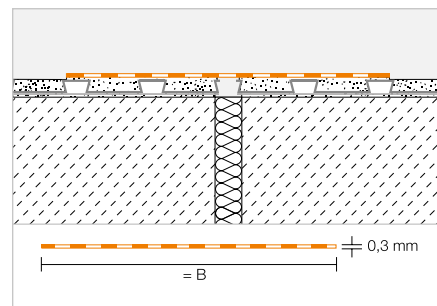
B (mm)	Rouleau = 5 m Art.-No.	€/m	P (Rouleau)
85	KEBA 100 / 85 / 5M	3,42	10
125	KEBA 100 / 125 / 5M	4,56	10
150	KEBA 100 / 150 / 5M	4,89	10
185	KEBA 100 / 185 / 5M	5,95	10
250	KEBA 100 / 250 / 5M	7,47	10

BANDE DE PONTAGE

Schlüter®-KERDI-FLEX



Schlüter-KERDI-FLEX est une bande souple en polyéthylène dont les deux faces sont revêtues d'un non-tissé, pour réaliser le pontage étanche au-dessus des joints de fractionnement. (Fiche produit 8.1)



Schlüter®-KERDI-FLEX

Rouleau

B (mm)	Rouleau = 30 m Art.-No.	€/m	PL (Rouleau)
125	FLEX 125 / 30	5,90	210
250	FLEX 250 / 30	10,74	126

Schlüter®-KERDI-FLEX/5M

Rouleau

B (mm)	Rouleau = 5 m Art.-No.	€/m	P (Rouleau)
125	FLEX 125 / 5M	7,68	10
250	FLEX 250 / 5M	12,44	10



ANGLES PRÉFORMÉS

Schlüter®-KERDI-KERECK



Schlüter-KERDI-KERECK sont des éléments prédécoupés destinés à l'étanchéité des angles rentrants et sortants, qui sont également utilisables dans les angles hors-équerre. (Fiche produit 8.1)

Schlüter®-KERDI-KERECK/A

Angle sortant, prédécoupé

Épaisseur (mm)	Kit = 5 u. Art.-No.	€ / Kit	P (kit)
0,1	KERECK 5 A	25,66	10

Schlüter®-KERDI-KERECK/I

Angle rentrant, prédécoupé

Épaisseur (mm)	Kit = 5 u. Art.-No.	€ / Kit	P (kit)
0,1	KERECK 5 I	22,00	10

ANGLES PRÉFORMÉS

Schlüter®-KERDI-KERECK-F



Schlüter-KERDI-KERECK-F sont des éléments préformés destinés à l'étanchéité des angles rentrants et sortants. (Fiche produit 8.1)

Schlüter®-KERDI-KERECK/FA

Angle sortant 90°, préformé

Épaisseur (mm)	Kit = 2 vis Art.-No.	€ / Kit	P (kit)
0,1	KERECK / FA2	20,50	10
0,1	KERECK / FA10	86,50	10

Schlüter®-KERDI-KERECK/FI

Angle rentrant 90°, préformé

Épaisseur (mm)	Kit = 2 vis Art.-No.	€ / Kit	P (kit)
0,1	KERECK / FI2	17,52	10
0,1	KERECK / FI10	71,84	10

Schlüter®-KERDI-KERECK/FI 135°

Angle rentrant 135°, préformé

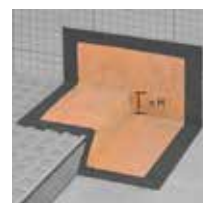
Épaisseur (mm)	Kit = 2 vis Art.-No.	€ / Kit	P (kit)
0,1	KERECK 135 FI2	20,76	10

ANGLES PRÉFORMÉS

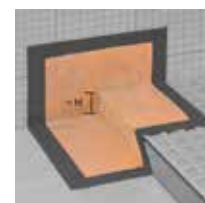
Schlüter®-KERDI-KERS



Schlüter-KERDI-KERS sont des angles préformés permettant de garantir une étanchéité parfaite au niveau des liaisons sol/mur/receveur de douches à l'italienne. (Fiche produit 8.1)



Schlüter-KERDI-KERS côté gauche



Schlüter-KERDI-KERS côté droit

Schlüter®-KERDI-KERS

Angle rentrant préformé, côté gauche

H (mm)	Art.-No.	€ / u.	P (u.)
20	KERS 20 L	14,12	10
28	KERS 28 L	14,12	10

Schlüter®-KERDI-KERS

Angle rentrant préformé, côté droit

H (mm)	Art.-No.	€ / u.	P (u.)
20	KERS 20 R	14,12	10
28	KERS 28 R	14,12	10

Nota :

Les angles Schlüter-KERDI-KERS 20 conviennent pour des douches d'une longueur comprise entre 80 et 110 cm. Les angles Schlüter-KERDI-KERS 28 conviennent pour des douches d'une longueur comprise entre 110 et 150 cm (voir la gamme Schlüter-KERDI-SHOWER pour les receveurs).

COLLERETTE D'ÉTANCHÉITÉ

Schlüter®-KERDI-MV

Schlüter-KERDI-MV est une collerette pour le passage de tuyaux. La partie centrale sans non-tissé permet d'utiliser les collerettes pour différents diamètres de tubes (voir tableau).

(Fiche produit 8.1)

Schlüter®-KERDI-MV

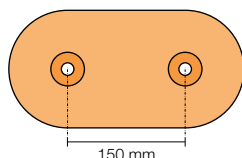
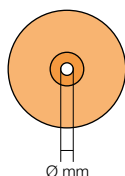
Collerette avec partie centrale sans non-tissé (contenu : 1 u.)

Ø (mm)	Pour les diamètres de tubes (mm)	Art.-No.	€ / u.	P (u.)
9	12 – 30	KMV 9	8,64	10
15	22 – 40	KMV 15	8,64	10
21	30 – 60	KMV 21	9,61	10
35	45 – 80	KMV 35	10,26	10
65	75 – 140	KMV 65	12,96	10
15	22 – 40	KMV 15 D	15,50	10

Schlüter®-KERDI-MV

Collerette avec partie centrale sans non-tissé (contenu : 10 u.)

Ø (mm)	Pour les diamètres de tubes (mm)	Art.-No.	€ / Set	P (Set)
15	22 – 40	KMV 15/10	69,39	10
15	22 – 40	KMV 15 D/10	127,44	10



KMV 9



KMV 15



KMV 21



KMV 35



KMV 65



KMV 15 D*

* Distance entre orifices 150 mm

COLLERETTE D'ÉTANCHÉITÉ

Schlüter®-KERDI-PAS

Schlüter-KERDI-PAS sont des kits comprenant une collerette prête à l'emploi ainsi qu'un manchon en plastique. La collerette est mise en place à l'aide du bouchon et du manchon en plastique, permettant une étanchéité fiable de la rallonge de robinet posée a posteriori.

(Fiche produit 8.1)

Schlüter®-KERDI-PAS

Kit avec collerette et manchon (contenu : 1 kit)

Ø (mm)	Pour les diamètres de tubes (mm)	Art.-No.	€ / Kit	P (kit)
15	22 – 40	KMV 15 PAS	10,53	10
15	22 – 40	KMV 15 D PAS	18,09	10

Schlüter®-KERDI-PAS

Kit avec collerette et manchon (contenu : 10 kits)

Ø (mm)	Pour les diamètres de tubes (mm)	Art.-No.	€ / Set	P (Set)
15	22 – 40	KMV 15 PAS/10	84,51	10
15	22 – 40	KMV 15 D PAS/10	142,83	10



KMV 15 PAS



KMV 15 D PAS*

* Distance entre orifices 150 mm



COLLERETTE D'ÉTANCHÉITÉ

Schlüter®-KERDI-KM



Schlüter-KERDI-KM est une collerette pour le passage de tuyaux.
(Fiche produit 8.1)

Schlüter®-KERDI-KM

Collerette de Ø 22 mm pour tuyau de Ø 25 mm

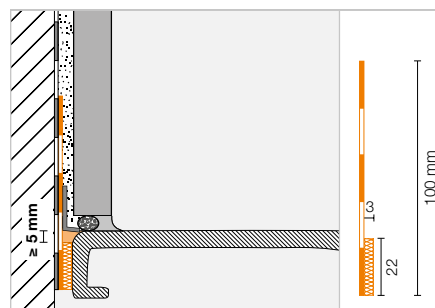
Épaisseur (mm)	Kit = 5 u. Art.-No.	€ / Kit	P (kit)
0,1	KM 5117 / 22	8,51	10

KIT D'ÉTANCHÉITÉ

Schlüter®-KERDI-TS



Schlüter-KERDI-TS est un kit permettant de garantir l'étanchéité entre des éléments fixes (baignoires, receveurs de douche en acier émaillé, en acrylique ou en fonte) et le système Schlüter-KERDI. Ce kit contient une bande d'étanchéité en polyéthylène, revêtue de non-tissé sur ses deux faces et comprenant une bande d'isolation acoustique autocollante, ainsi que les accessoires nécessaires à la mise en œuvre.
(Fiche produit 8.9)



Schlüter®-KERDI-TS

Kit d'étanchéité complet

L (m)	Art.-No.	€ / Kit	P (kit)
2	KE TS / 200	77,71	10
2,8	KE TS / 280	93,92	10
3,8	KE TS / 380	110,70	10

Contenu du kit complet :

- 2 / 2,8 / 3,8 m de bande d'étanchéité
- 290 ml de colle de montage Schlüter-KERDI-FIX
- 2 lingettes de nettoyage
- 1 / 2 / 2 angle(s) de montage



Schlüter®-KERDI-TSB

Kit d'étanchéité de base

L (m)	Art.-No.	€ / Kit	P (kit)
10	KE TSB / 1000	179,88	10

Contenu du kit de base :

- 10 m de bande d'étanchéité
- 8 lingettes de nettoyage
- 6 angles de montage



KIT D'ÉTANCHÉITÉ

Schlüter®-KERDI-TS-ZC



Schlüter-KERDI-TS-ZC est un kit complémentaire à utiliser en liaison avec le kit d'étanchéité Schlüter-KERDI-TS, permettant de garantir une étanchéité parfaite d'éléments fixes (baignoires, bacs à douche, ...) présentant une configuration spécifique. Le kit comprend une collerette d'étanchéité et un angle de montage.

(Fiche produit 8.9)

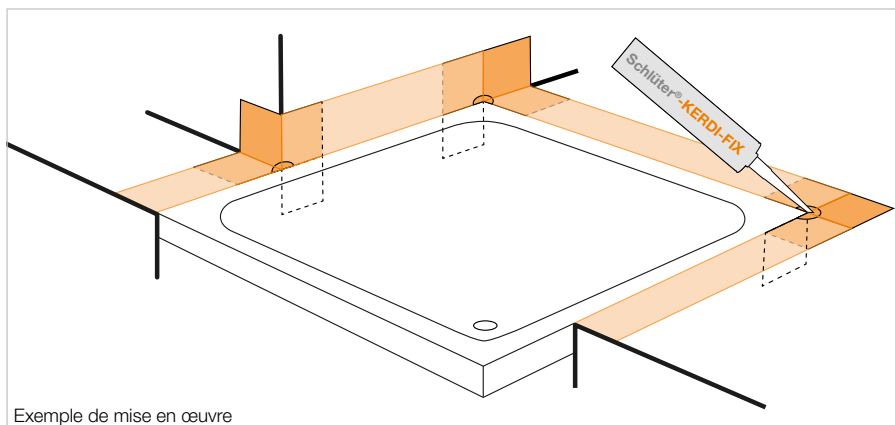
Schlüter®-KERDI-TS-ZC

Kit complémentaire

Art.-No.	€ / Kit	P (kit)
KE TS ZC	11,12	10

Le kit complémentaire comprend les éléments suivants :

- 1 collerette en PE revêtue de non-tissé sur ses deux faces, 120 x 120 mm
- 1 angle de montage



Exemple de mise en œuvre

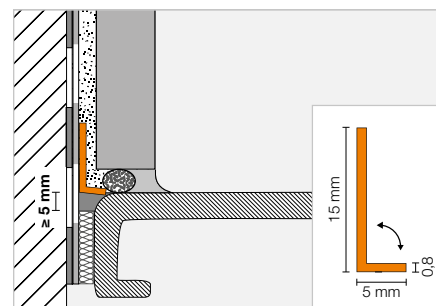
RUBAN DE PROTECTION

Schlüter®-KERDI-CP



Schlüter-KERDI-CP est un ruban en polypropylène destiné à protéger l'étanchéité déjà en place lors du remplacement du joint en silicone. Le ruban pliable se coupe à la longueur voulue, et peut être mis en œuvre dans le lit de colle ou sur Schlüter-KERDI-FIX venant d'être appliqué.

(Fiche produit 8.9)



Schlüter®-KERDI-CP

Ruban de protection

L (m)	Art.-No.	€ / u.	P (u.)
2	KE CP / 200	8,89	10
2,8	KE CP / 280	12,30	10
3,8	KE CP / 380	16,22	10
10	KE CP / 1000	35,78	10





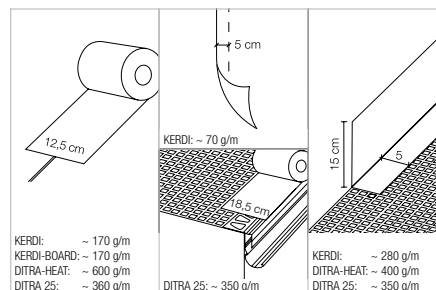
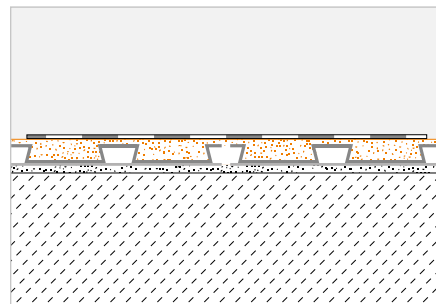
COLLE ÉTANCHE

Schlüter®-KERDI-COLL-L



Schlüter-KERDI-COLL-L est une colle étanche composée d'une dispersion acrylique exempte de solvant et d'une poudre réactive à base de ciment. Elle permet le collage au niveau des chevauchements de natte Schlüter-KERDI 200. Schlüter-KERDI-COLL-L est également utilisée pour le pontage étanche des lés avec Schlüter-KERDI-KEBA sur Schlüter-KERDI, Schlüter-DITRA 25 et Schlüter-DITRA-HEAT, ainsi que pour le collage de la bande Schlüter-KERDI-KEBA sur les profilés de rive Schlüter-BARA.

(Fiche produit 8.4)



Schlüter®-KERDI-COLL-L

Colle d'étanchéité bi-composant

Poids (kg)	Art.-No.	€ / kg	PL (u.)
1,85	KERDI-COLL-L 185	11,92	110
4,25	KERDI-COLL-L	9,81	75

COLLE DE MONTAGE

Schlüter®-KERDI-FIX



Schlüter-KERDI-FIX est une colle élastique à base de polymère MS. Elle convient pour le collage de certains profilés, pour l'étanchéité des points singuliers avec les bandes Schlüter-KERDI-KEBA, notamment sur les surfaces en acier inoxydable, et pour l'assemblage des panneaux Schlüter-KERDI-BOARD.

(Fiche produit 8.3)



Schlüter®-KERDI-FIX

Polymère MS

Volume (ml)	Art.-No.	€ / u.	P (u.)
290	KERDIFIX / BW	20,58	12
290	KERDIFIX / G	20,58	12



Schlüter®-KERDI-LINE

Un caniveau élégant



Les caniveaux sont une solution élégante et fonctionnelle pour les douches à l'italienne. Avec Schlüter-KERDI-LINE, nous vous proposons des systèmes complets pour la réalisation de votre douche à l'italienne. My Schlüter-KERDI-LINE apporte une touche personnalisée : vous pouvez faire graver un motif original sur la grille et/ou le cadre.

- ✓ Existe en 14 longueurs
- ✓ Faible encombrement en hauteur
- ✓ Kits complets avec collerette d'étanchéité collée en usine
- ✓ Neuf finitions au choix
- ✓ Trois grilles design Schlüter-KERDI-LINE-STYLE avec cadre discret
- ✓ Grilles et cadres en inox personnalisables
- ✓ S'adapte à toutes les épaisseurs de carrelage
- ✓ Recoupable
- ✓ Gamme complète, y compris profilé latéral et profilé anti-débordement

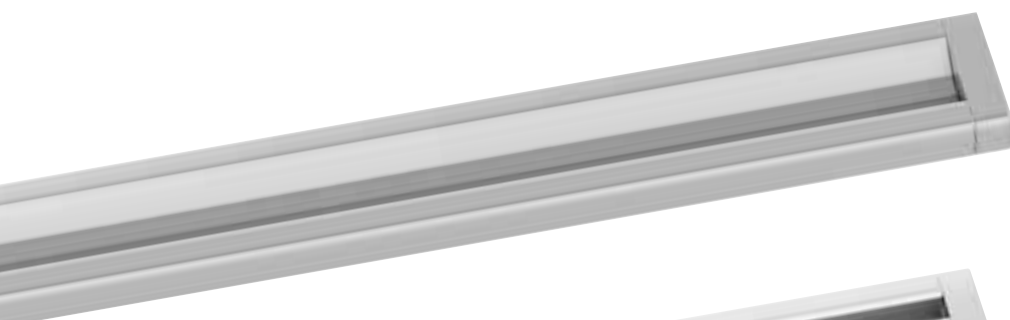


Schlüter®-KERDI-LINE

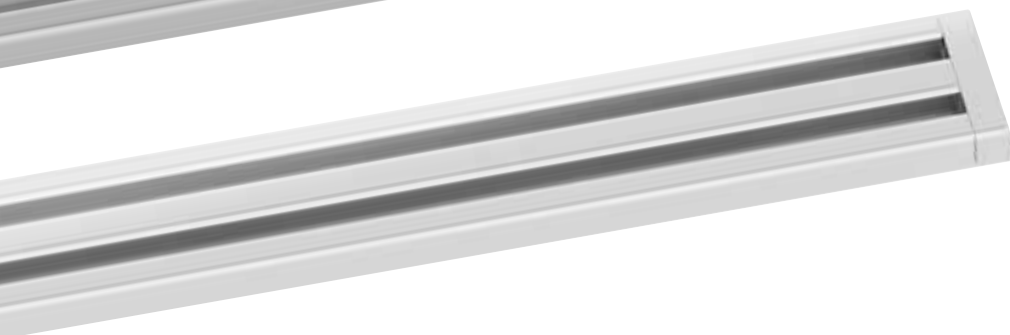
Vue d'ensemble des designs

Cet aperçu vous présente les différentes solutions que Schlüter-Systems vous propose pour la réalisation d'une douche avec caniveaux. Que vous optiez pour les grilles classiques avec cadre standard ou pour une évacuation innovante VARIO, vous profiterez d'un système de qualité.

SCHLÜTER®-KERDI-LINE-VARIO : CANIVEAUX FILANTS RECOUPABLES



Design COVE



Design WAVE

SCHLÜTER®-KERDI-LINE-STYLE : DES GRILLES ÉLÉGANTES AVEC CADRE DISCRET



Design FLORAL



Design CURVE



Design PURE

SCHLÜTER®-KERDI-LINE : DES GRILLES CLASSIQUES AVEC CADRE STANDARD

Design A : SOLID

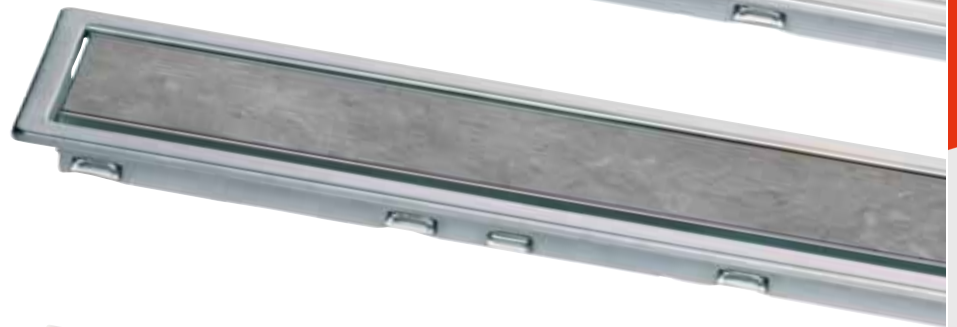


Design
A, B et C
disponibles
en MGS.

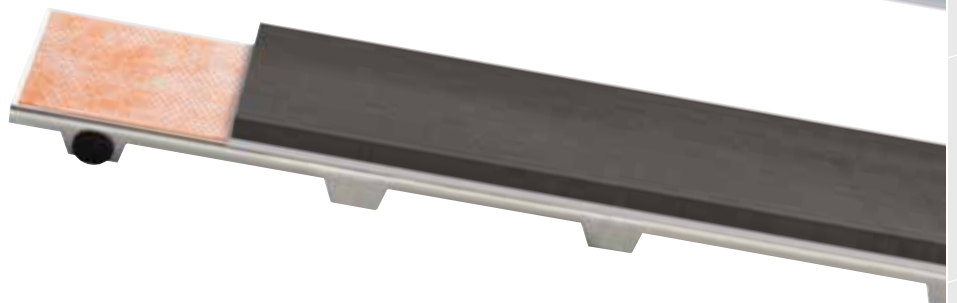
Design B : SQUARE



Design C : FRAMED TILE



Design D : TILE (sans cadre)





Schlüter®-KERDI-LINE-VARIO

La nouvelle évacuation orientable

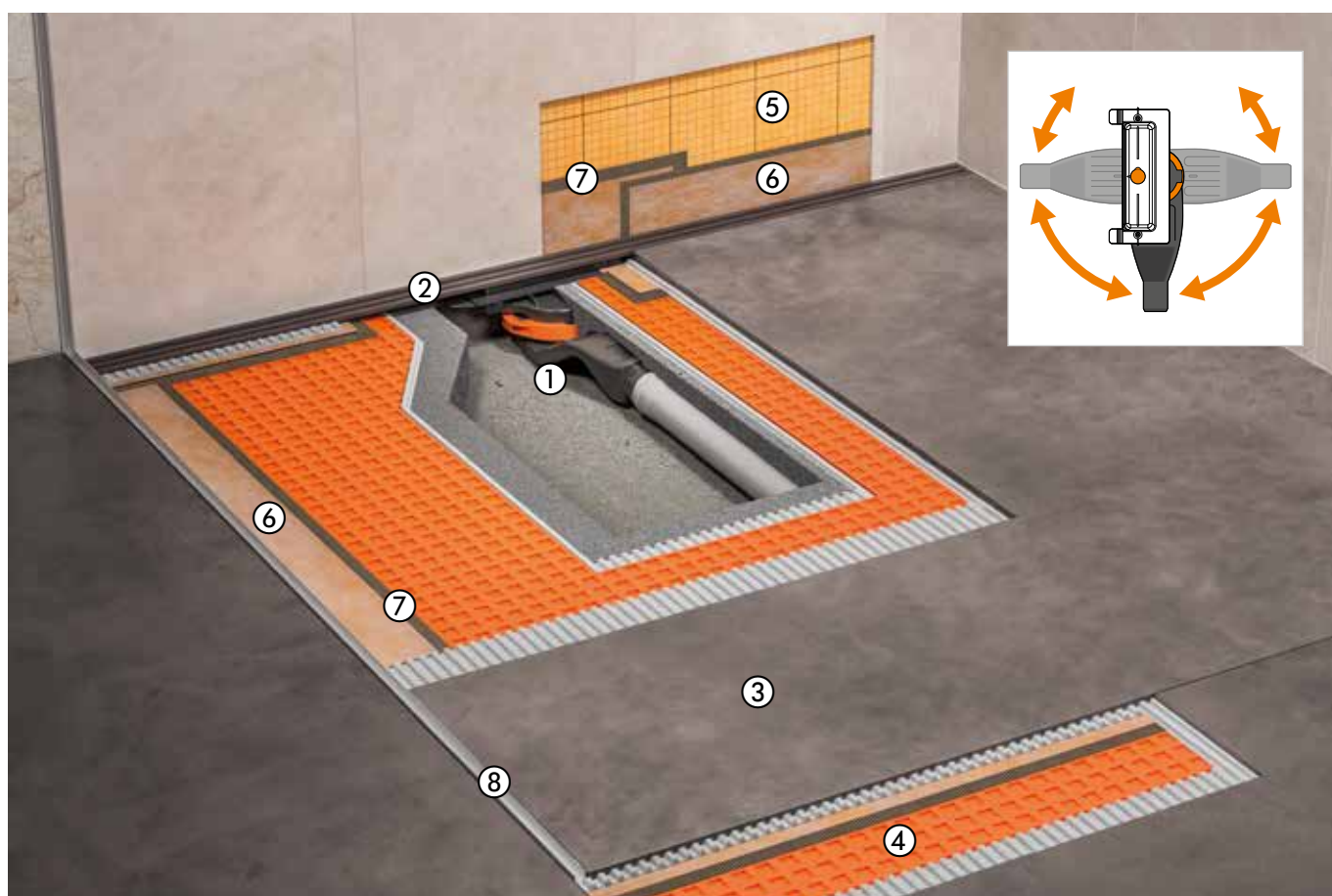
Notre système modulable pour la réalisation de douches à l'italienne avec caniveaux. Il comprend des caniveaux filants recoupables et design, qui s'adaptent parfaitement au corps de siphon de faible épaisseur. La collerette KERDI intégrée assure le raccordement étanche entre le siphon et l'étanchéité de surface. Le siphon orientable à 360° facilite davantage le montage.

- ✓ Caniveaux filants fins et raffinés
- ✓ Acier inoxydable brossé et aluminium finition structurée TRENDLINE
- ✓ Caniveaux filants recoupables et réglables en hauteur
- ✓ Capuchons de fermeture inclus
- ✓ Faible hauteur de montage
- ✓ Siphon intégré dans l'évacuation
- ✓ Raccordement étanche grâce à la collerette KERDI
- ✓ Corps de siphon courbé pour un nettoyage simultané
- ✓ Siphon orientable à 360°
- ✓ Qualité KERDI-LINE



L'évacuation de l'eau est facilitée grâce à la combinaison des caniveaux filants Schlüter-KERDI-LINE-VARIO et du système d'évacuation de faible épaisseur, en 2 parties. L'adaptateur ainsi que la collerette d'étanchéité mis en place en usine dans le siphon courbé simplifient l'évacuation de l'eau. La réalisation d'une forme de pente de 2 % est nécessaire.

Schlüter-DECO-SG permet de fixer des parois de douche en verre à l'emplacement voulu. Schlüter-KERDI et -DITRA assurent l'étanchéité au niveau des murs et du sol. L'étanchéité des points singuliers est assurée par des bandes Schlüter-KERDI-KEBA collées avec Schlüter-KERDI-COLL-L.



- | | |
|--|----------|
| ① Siphon courbé Schlüter®-KERDI-LINE-VARIO-H | Page 162 |
| ② Caniveau filant Schlüter®-KERDI-LINE-VARIO | Page 160 |
| ③ Forme de pente | - |
| ④ Schlüter®-DITRA 25 | Page 132 |
| ⑤ Schlüter®-KERDI-200 | Page 148 |
| ⑥ Schlüter®-KERDI-KEBA | Page 149 |
| ⑦ Schlüter®-KERDI-COLL-L | Page 154 |
| ⑧ Schlüter®-DECO-SG | Page 188 |



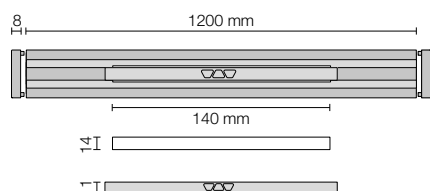
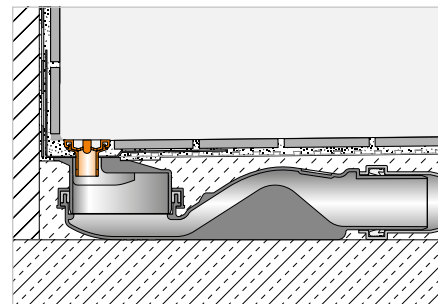
CANIVEAU FILANT

Schlüter®-KERDI-LINE-VARIO WAVE

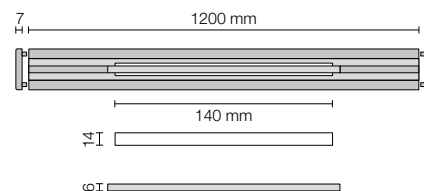


Schlüter-KERDI-LINE-VARIO WAVE est un caniveau filant recoupable en forme de W, adapté au système d'évacuation Schlüter-KERDI-LINE-VARIO-H. Il est disponible en acier inoxydable brossé V4A (alliage 1.4404 = AISI 316L) ainsi qu'en aluminium coloré finition structurée TRENDLINE. Une encoche de 14 mm de large et de 140 mm de long, située au centre du caniveau filant, et recouverte d'un cache esthétique amovible, permet l'évacuation de l'eau.

Le caniveau filant, livré avec deux capuchons de fermeture, se met en œuvre en le noyant dans du mortier-colle, à fleur du revêtement. (Fiche produit 8.10)



Acier inoxydable



Aluminium

Schlüter®-KERDI-LINE-VARIO WAVE

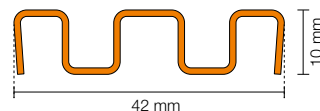
Caniveau filant, design WAVE (D 10), acier inoxydable brossé V4A

L (cm)	H = 10 mm Art.-No.	€ / Kit	P (kit)
120	KL VR D10 EB 120	255,30	10

Adapté aux revêtements de

8 à 18 mm d'épaisseur (avec DITRA 25 ou DITRA-HEAT sans câble) et de

8 à 15 mm d'épaisseur (avec DITRA-HEAT-DUO sans câble)



Schlüter®-KERDI-LINE-VARIO WAVE

Caniveau filant, design WAVE (D 10), alu. finition structurée

L (cm)	H = 8 mm Art.-No.	€ / Kit	P (kit)
120	KL VR D10 MBW 120	178,20	10
120	KL VR D10 MGS 120	178,20	10
120	KL VR D10 TSBG 120	183,60	10
120	KL VR D10 TSC 120	183,60	10
120	KL VR D10 TSDA 120	183,60	10
120	KL VR D10 TSI 120	183,60	10
120	KL VR D10 TSOB 120	183,60	10
120	KL VR D10 TSSG 120	183,60	10

Adapté aux revêtements de

6 à 15 mm d'épaisseur (avec DITRA 25 ou DITRA-HEAT sans câble) et de

6 à 12 mm d'épaisseur (avec DITRA-HEAT-DUO sans câble)



Nota :

Exclusivement adapté au système d'évacuation Schlüter-KERDI-LINE-VARIO-H. Deux capuchons de fermeture inclus.

FINITIONS / COULEURS DISPONIBLES



Vous trouverez un récapitulatif des finitions et des couleurs à partir de la page 293.

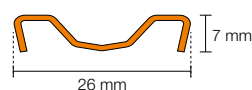
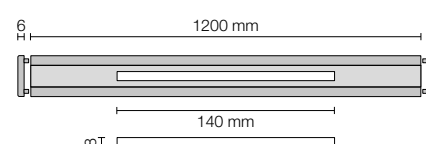
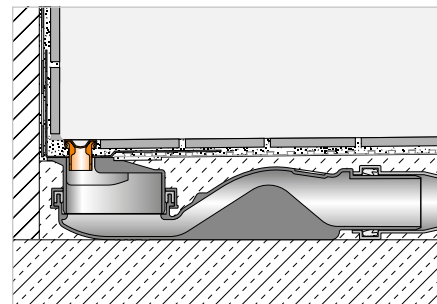
CANIVEAU FILANT

Schlüter®-KERDI-LINE-VARIO COVE



Schlüter-KERDI-LINE-VARIO COVE est un caniveau filant à gorge, recoupable, adapté au système d'évacuation Schlüter-KERDI-LINE-VARIO-H. Il est disponible en acier inoxydable brossé V4A (alliage 1.4404 = AISI 316L) ainsi qu'en aluminium coloré finition structurée TRENDLINE. Une encoche de 8 mm de large seulement et de 140 mm de long, située au centre du caniveau filant, permet l'évacuation de l'eau.

Le caniveau filant, livré avec deux capuchons de fermeture, se met en oeuvre en le noyant dans du mortier-colle, à fleur du revêtement. Il est adapté au passage d'un fauteuil roulant. (Fiche produit 8.10)



Nota :
Exclusivement adapté au système d'évacuation Schlüter-KERDI-LINE-VARIO-H. Deux capuchons de fermeture inclus.

Schlüter®-KERDI-LINE-VARIO COVE

Caniveau filant, design COVE (D 9), acier inoxydable brossé V4A

L (cm)	H = 7 mm Art.-No.	€ / Kit	P (kit)
120	KL VR D9 EB 120	210,90	10

Schlüter®-KERDI-LINE-VARIO COVE

Caniveau filant, design COVE (D 9), alu. finition structurée

L (cm)	H = 8 mm Art.-No.	€ / Kit	P (kit)
120	KL VR D9 MBW 120	156,60	10
120	KL VR D9 MGS 120	156,60	10
120	KL VR D9 TSBG 120	162,00	10
120	KL VR D9 TSC 120	162,00	10
120	KL VR D9 TSDA 120	162,00	10
120	KL VR D9 TSI 120	162,00	10
120	KL VR D9 TSOB 120	162,00	10
120	KL VR D9 TSSG 120	162,00	10

Adapté aux revêtements de
6 à 15 mm d'épaisseur (avec DITRA 25 ou DITRA-HEAT sans câble) et de
6 à 12 mm d'épaisseur (avec DITRA-HEAT-DUO sans câble)

FINITIONS / COULEURS DISPONIBLES



Vous trouverez un récapitulatif des finitions et des couleurs à partir de la page 293.



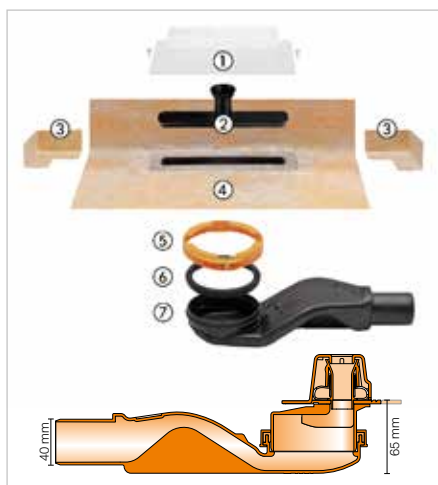
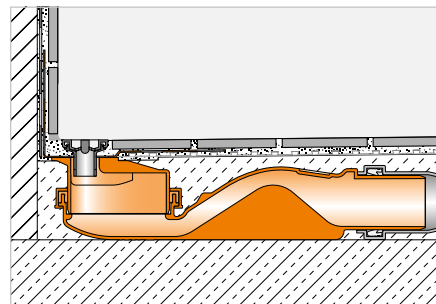
CANIVEAU HORIZONTAL

Schlüter®-KERDI-LINE-VARIO-H



Schlüter-KERDI-LINE-VARIO-H est un système d'évacuation pour douches à l'italienne. Il est composé d'un adaptateur muni d'une collerette d'étanchéité KERDI et d'un siphon courbé en sortie horizontale, orientable à 360°. KERDI-LINE-VARIO-H est adapté à un montage au centre de la douche ou le long d'un mur. La forme courbée du siphon permet une évacuation rapide de l'eau et un nettoyage simultané du système. En combinaison avec les caniveaux filants Schlüter-KERDI-LINE-VARIO, ce système assure une finition discrète du système d'évacuation de votre douche.

(Fiche produit 8.10)



Schlüter®-KERDI-LINE-VARIO-H 40

Kit de caniveau avec siphon courbé, évacuation horizontale (DN 40)

Art.-No.	€ / Kit	P (kit)
KL VR H40 G4	193,32	10

Nota :

Exclusivement adapté aux caniveaux filants Schlüter-KERDI-LINE-VARIO.

Caractéristiques techniques :

Écoulement	DN 40
Débit	0,45 l/s
Hauteur de garde d'eau	25 mm
Encombrement en hauteur	65 mm

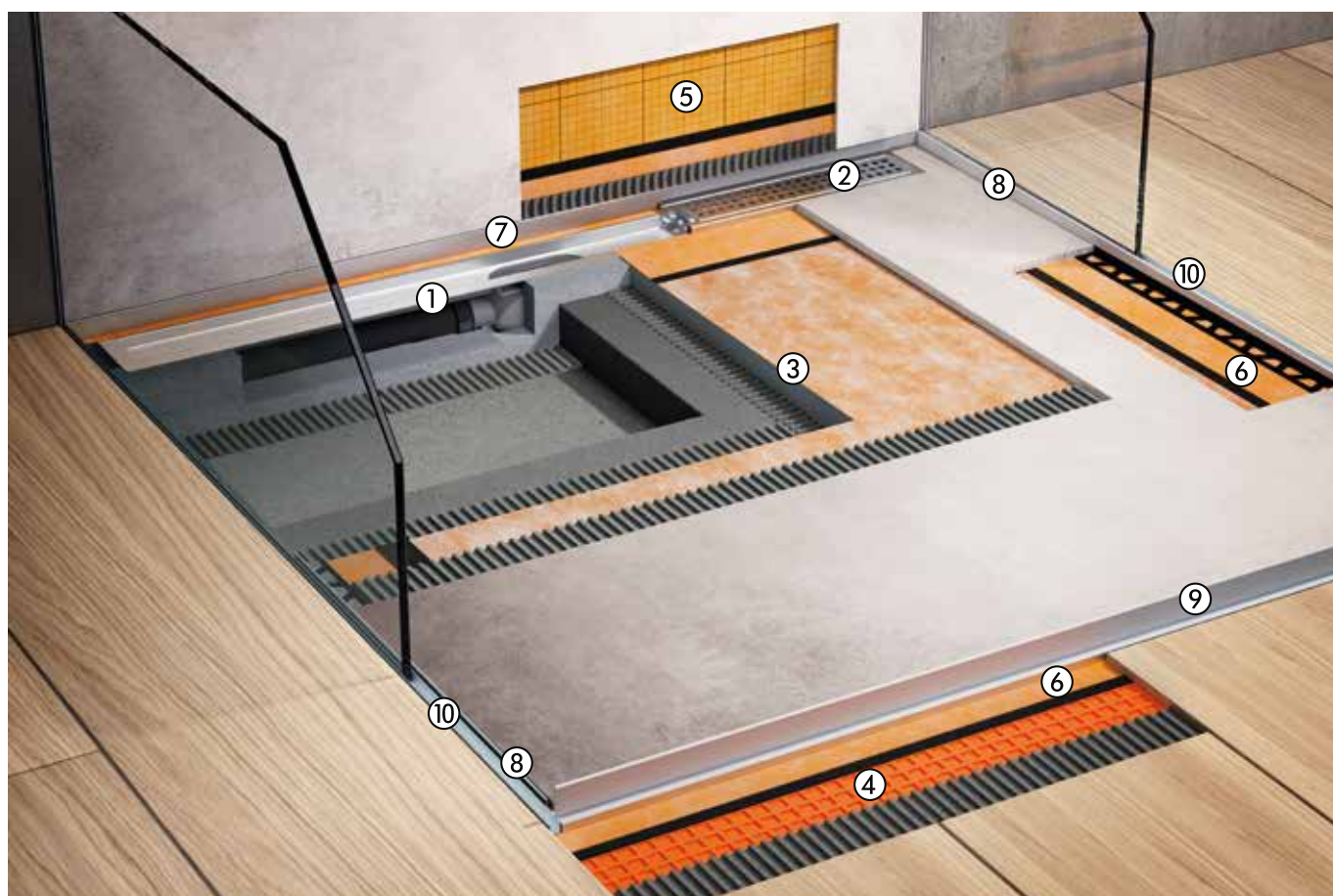
Composants du kit :

- 1 Couvercle de protection
- 2 Embout de contrôle d'étanchéité
- 3 Angles préformés
(pour raccordement au mur)
- 4 Adaptateur muni d'une collerette d'étanchéité
- 5 Bague de serrage
- 6 Joint
- 7 Siphon

Schlüter®-KERDI-LINE

Système complet et bien pensé

Les caniveaux Schlüter-KERDI-LINE existent avec sortie horizontale ou verticale. Des receveurs avec pente Schlüter-KERDI-SHOWER permettent de créer rapidement un support plan et étanche pour la pose des carreaux. Les profilés Schlüter-SHOWERPROFILE habillent les côtés de la douche et garantissent une protection efficace contre les débordements. Schlüter-DECO-SG permet de fixer des parois de douche en verre à l'emplacement voulu. Schlüter-KERDI et -DITRA assurent l'étanchéité au niveau des murs et du sol. L'étanchéité des points singuliers est assurée par des bandes Schlüter-KERDI-KEBA collées avec Schlüter-KERDI-COLL-L.

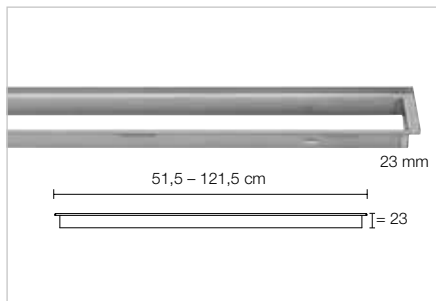


- | | |
|--|----------|
| ① Caniveaux Schlüter®-KERDI-LINE | Page 174 |
| ② Kits grilles/cadres Schlüter®-KERDI-LINE | Page 164 |
| ③ Schlüter®-KERDI-SHOWER | Page 182 |
| ④ Schlüter®-DITRA 25 | Page 132 |
| ⑤ Schlüter®-KERDI-200 | Page 148 |
| ⑥ Schlüter®-KERDI-KEBA | Page 149 |
| ⑦ Schlüter®-SHOWERPROFILE-R | Page 185 |
| ⑧ Schlüter®-SHOWERPROFILE-S | Page 184 |
| ⑨ Schlüter®-SHOWERPROFILE-WS/-WSK | Page 186 |
| ⑩ Schlüter®-DECO-SG | Page 188 |

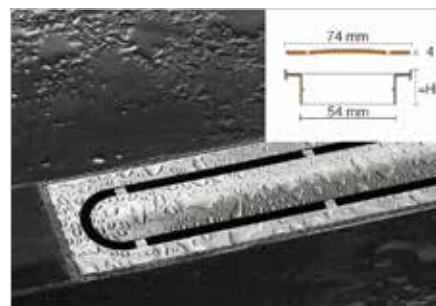
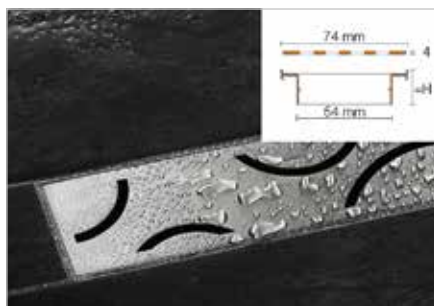
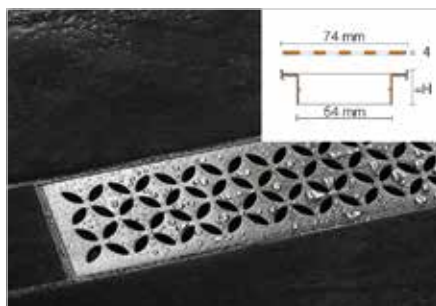
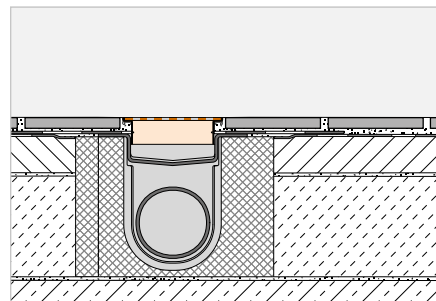


KIT GRILLE/CADRE

Schlüter®-KERDI-LINE-STYLE



Schlüter-KERDI-LINE-STYLE sont des cadres en acier inoxydable brossé V4A, avec grilles design, adaptés aux caniveaux Schlüter-KERDI-LINE. Le cadre discret est réglable en hauteur pour des revêtements allant de 6 à 18 mm. Les grilles sont disponibles dans les versions FLORAL, CURVE et PURE. (Fiche produit 8.7)



Schlüter®-KERDI-LINE-IF-E

Design FLORAL, cadre de 23 mm, acier inoxydable brossé V4A

L (cm)	H = 23 mm Art.-No.	€ / Kit	P (kit)
50	KLIFE 23 EB 50	304,53	10
60	KLIFE 23 EB 60	316,02	10
70	KLIFE 23 EB 70	327,51	10
80	KLIFE 23 EB 80	350,49	10
90	KLIFE 23 EB 90	373,47	10
100	KLIFE 23 EB 100	396,46	10
110	KLIFE 23 EB 110	419,45	10
120	KLIFE 23 EB 120	442,42	10

Schlüter®-KERDI-LINE-IF-F

Design CURVE, cadre de 23 mm, acier inoxydable brossé V4A

L (cm)	H = 23 mm Art.-No.	€ / Kit	P (kit)
50	KLIFF 23 EB 50	293,04	10
60	KLIFF 23 EB 60	304,53	10
70	KLIFF 23 EB 70	316,02	10
80	KLIFF 23 EB 80	333,27	10
90	KLIFF 23 EB 90	350,49	10
100	KLIFF 23 EB 100	367,73	10
110	KLIFF 23 EB 110	384,97	10
120	KLIFF 23 EB 120	402,21	10

Schlüter®-KERDI-LINE-IF-G

Design PURE, cadre de 23 mm, acier inoxydable brossé V4A

L (cm)	H = 23 mm Art.-No.	€ / Kit	P (kit)
50	KLIFG 23 EB 50	327,51	10
60	KLIFG 23 EB 60	339,01	10
70	KLIFG 23 EB 70	350,49	10
80	KLIFG 23 EB 80	367,73	10
90	KLIFG 23 EB 90	384,97	10
100	KLIFG 23 EB 100	402,21	10
110	KLIFG 23 EB 110	419,45	10
120	KLIFG 23 EB 120	442,42	10

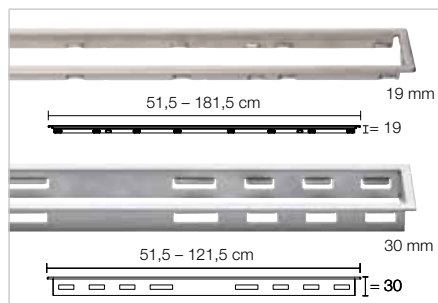
Nota :

H = 23 mm pour revêtements de 6 à 18 mm d'épaisseur

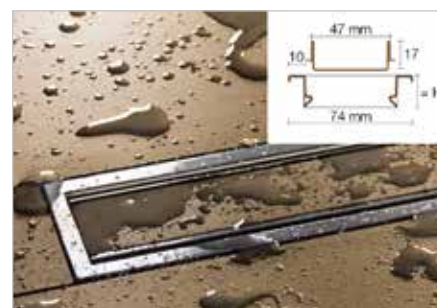
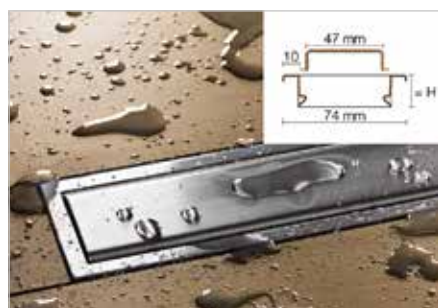
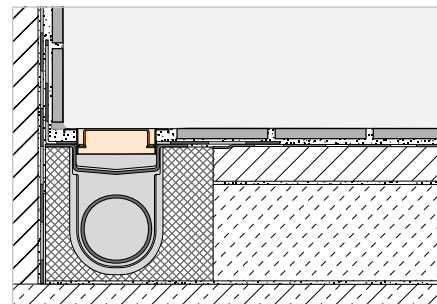
Attention : les grilles de Schlüter-KERDI-LINE-STYLE ne sont pas compatibles avec les cadres Schlüter-KERDI-LINE-A/-B/-C/-D.

KIT GRILLE/CADRE

Schlüter®-KERDI-LINE-A/-B/-C



Schlüter-KERDI-LINE sont des cadres standard avec grilles classiques, au choix, en acier inoxydable brossé, poli brillant ou coloré, assortis aux caniveaux KERDI-LINE. Ils sont réglables en hauteur pour s'adapter à des revêtements de 3 à 25 mm d'épaisseur. Les grilles existent en design SOLID (A), SQUARE (B) et FRAMED TILE (C).
(Fiche produit 8.7)



Schlüter®-KERDI-LINE-A

Design SOLID, cadre de 19 mm, acier inoxydable brossé V4A

L (cm)	H = 19 mm Art.-No.	€ / Kit	P (kit)
50	KLA 19 EB 50	212,01	10
60	KLA 19 EB 60	217,67	10
70	KLA 19 EB 70	223,17	10
80	KLA 19 EB 80	228,80	10
90	KLA 19 EB 90	234,34	10
100	KLA 19 EB 100	239,85	10
110	KLA 19 EB 110	245,72	10
120	KLA 19 EB 120	251,40	10
130	KLA 19 EB 130	357,82	10
140	KLA 19 EB 140	374,14	10
150	KLA 19 EB 150	387,00	10
160	KLA 19 EB 160	407,68	10
170	KLA 19 EB 170	424,62	10
180	KLA 19 EB 180	439,05	10

Schlüter®-KERDI-LINE-B

Design SQUARE, cadre de 19 mm, acier inoxydable brossé V4A

L (cm)	H = 19 mm Art.-No.	€ / Kit	P (kit)
50	KLB 19 EB 50	212,01	10
60	KLB 19 EB 60	217,67	10
70	KLB 19 EB 70	223,17	10
80	KLB 19 EB 80	228,80	10
90	KLB 19 EB 90	234,34	10
100	KLB 19 EB 100	239,85	10
110	KLB 19 EB 110	245,72	10
120	KLB 19 EB 120	251,40	10
130	KLB 19 EB 130	357,82	10
140	KLB 19 EB 140	374,14	10
150	KLB 19 EB 150	387,00	10
160	KLB 19 EB 160	407,68	10
170	KLB 19 EB 170	424,62	10
180	KLB 19 EB 180	439,05	10

Schlüter®-KERDI-LINE-C

Design FRAMED TILE, cadre de 19 mm, acier inoxydable brossé V4A

L (cm)	H = 19 mm Art.-No.	€ / Kit	P (kit)
50	KLCA 19 EB 50	212,01	10
60	KLCA 19 EB 60	217,67	10
70	KLCA 19 EB 70	223,17	10
80	KLCA 19 EB 80	228,80	10
90	KLCA 19 EB 90	234,34	10
100	KLCA 19 EB 100	239,85	10
110	KLCA 19 EB 110	245,72	10
120	KLCA 19 EB 120	251,40	10
130	KLCA 19 EB 130	357,82	10
140	KLCA 19 EB 140	374,14	10
150	KLCA 19 EB 150	387,00	10
160	KLCA 19 EB 160	407,68	10
170	KLCA 19 EB 170	424,62	10
180	KLCA 19 EB 180	439,05	10

Nota :

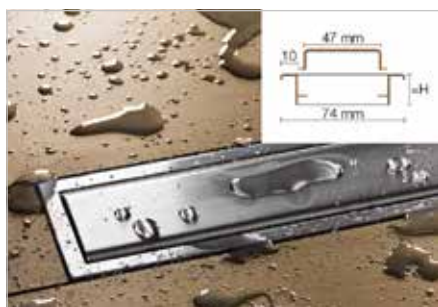
H = 19 mm pour revêtements de 3 à 15 mm d'épaisseur

Nota :

Support à carrelé (design C) pour carreaux jusqu'à 15 mm d'épaisseur



KIT GRILLE/CADRE



Schlüter®-KERDI-LINE-A

Design SOLID, cadre de 30 mm, acier inoxydable brossé V4A

L (cm)	H = 30 mm Art.-No.	€ / Kit	P (kit)
50	KLA 30 EB 50	218,59	10
60	KLA 30 EB 60	223,83	10
70	KLA 30 EB 70	229,47	10
80	KLA 30 EB 80	236,17	10
90	KLA 30 EB 90	240,89	10
100	KLA 30 EB 100	246,79	10
110	KLA 30 EB 110	252,57	10
120	KLA 30 EB 120	257,30	10

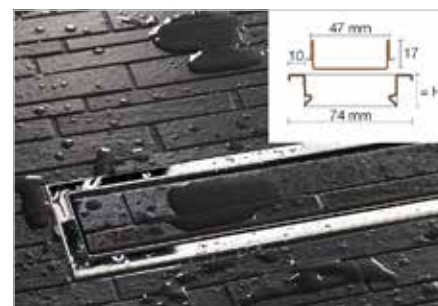
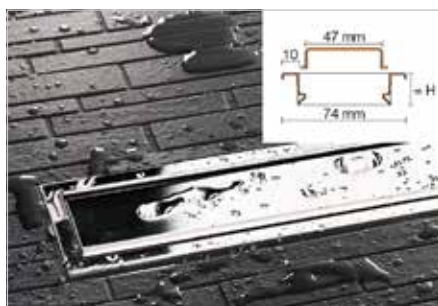
Schlüter®-KERDI-LINE-B

Design SQUARE, cadre de 30 mm, acier inoxydable brossé V4A

L (cm)	H = 30 mm Art.-No.	€ / Kit	P (kit)
50	KLB 30 EB 50	218,59	10
60	KLB 30 EB 60	223,83	10
70	KLB 30 EB 70	229,47	10
80	KLB 30 EB 80	236,17	10
90	KLB 30 EB 90	240,89	10
100	KLB 30 EB 100	246,79	10
110	KLB 30 EB 110	252,57	10
120	KLB 30 EB 120	257,30	10

Nota :

H = 30 mm pour revêtements de 13 à 25 mm d'épaisseur



Schlüter®-KERDI-LINE-A

Design SOLID, cadre de 19 mm, acier inox. V4A poli brillant

L (cm)	H = 19 mm Art.-No.	€ / Kit	P (kit)
50	KLA 19 EP 50	230,04	10
60	KLA 19 EP 60	236,17	10
70	KLA 19 EP 70	242,12	10
80	KLA 19 EP 80	248,25	10
90	KLA 19 EP 90	254,26	10
100	KLA 19 EP 100	260,23	10
110	KLA 19 EP 110	266,62	10
120	KLA 19 EP 120	272,76	10

Schlüter®-KERDI-LINE-B

Design SQUARE, cadre de 19 mm, acier inox. V4A poli brillant

L (cm)	H = 19 mm Art.-No.	€ / Kit	P (kit)
50	KLB 19 EP 50	230,04	10
60	KLB 19 EP 60	236,17	10
70	KLB 19 EP 70	242,12	10
80	KLB 19 EP 80	248,25	10
90	KLB 19 EP 90	254,26	10
100	KLB 19 EP 100	260,23	10
110	KLB 19 EP 110	266,62	10
120	KLB 19 EP 120	272,76	10

Schlüter®-KERDI-LINE-C

Design FRAMED TILE, cadre de 19 mm, acier inox. V4A poli brillant

L (cm)	H = 19 mm Art.-No.	€ / Kit	P (kit)
50	KLCA 19 EP 50	221,54	10
60	KLCA 19 EP 60	227,46	10
70	KLCA 19 EP 70	233,20	10
80	KLCA 19 EP 80	239,11	10
90	KLCA 19 EP 90	244,87	10
100	KLCA 19 EP 100	250,64	10
110	KLCA 19 EP 110	256,80	10
120	KLCA 19 EP 120	262,70	10

Nota :

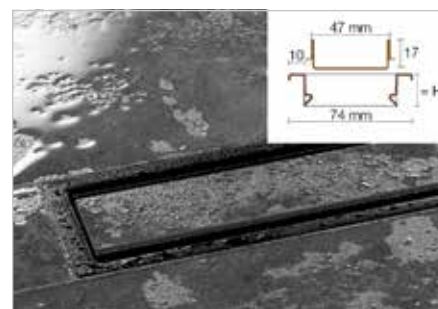
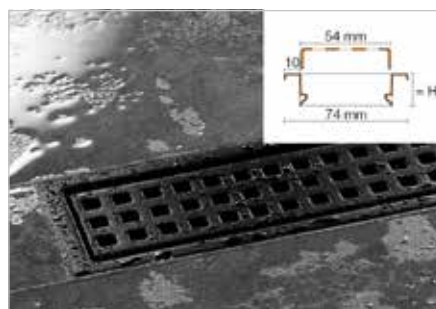
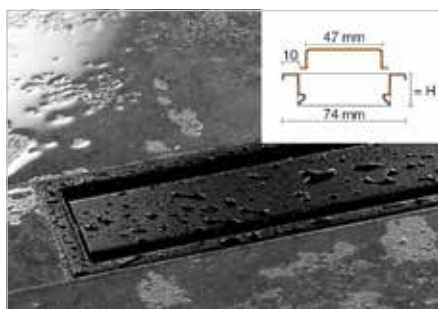
H = 19 mm pour revêtements de 3 à 15 mm d'épaisseur



Inox V4A poli brillant assorti aux surfaces chromées

Nota :

Support à carrelé (design C) pour carreaux jusqu'à 15 mm d'épaisseur



Schlüter®-KERDI-LINE-A



Design SOLID, cadre de 19 mm,
acier inox. V4A coloré noir graphite mat

L (cm)	H = 19 mm Art.-No.	€ / Kit	P (kit)
50	KLA 19 MGS 50	275,61	10
60	KLA 19 MGS 60	282,97	10
70	KLA 19 MGS 70	290,12	10
80	KLA 19 MGS 80	297,45	10
90	KLA 19 MGS 90	304,65	10
100	KLA 19 MGS 100	311,80	10
110	KLA 19 MGS 110	319,44	10
120	KLA 19 MGS 120	326,83	10

Schlüter®-KERDI-LINE-B



Design SQUARE, cadre de 19 mm,
acier inox. V4A coloré noir graphite mat

L (cm)	H = 19 mm Art.-No.	€ / Kit	P (kit)
50	KLB 19 MGS 50	275,61	10
60	KLB 19 MGS 60	282,97	10
70	KLB 19 MGS 70	290,12	10
80	KLB 19 MGS 80	297,45	10
90	KLB 19 MGS 90	304,65	10
100	KLB 19 MGS 100	311,80	10
110	KLB 19 MGS 110	319,44	10
120	KLB 19 MGS 120	326,83	10

Schlüter®-KERDI-LINE-C



Design FRAMED TILE, cadre de 19 mm,
acier inox. V4A coloré noir graphite mat

L (cm)	H = 19 mm Art.-No.	€ / Kit	P (kit)
50	KLCA 19 MGS 50	275,61	10
60	KLCA 19 MGS 60	282,97	10
70	KLCA 19 MGS 70	290,12	10
80	KLCA 19 MGS 80	297,45	10
90	KLCA 19 MGS 90	304,65	10
100	KLCA 19 MGS 100	311,80	10
110	KLCA 19 MGS 110	319,44	10
120	KLCA 19 MGS 120	326,83	10

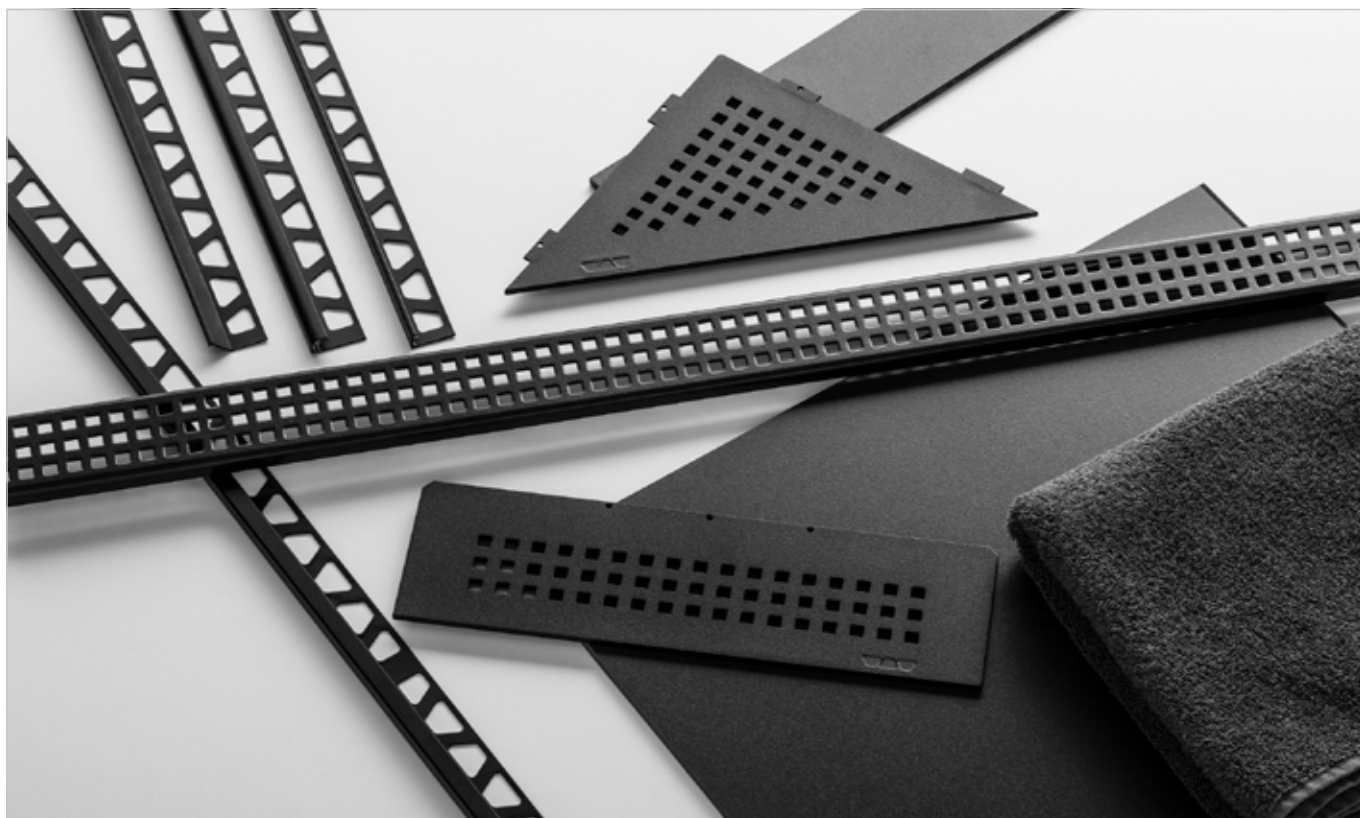
Nota :

H = 19 mm pour revêtements de 3 à 15 mm
d'épaisseur



Nota :

Support à carrelé (design C) pour carreaux
jusqu'à 15 mm d'épaisseur



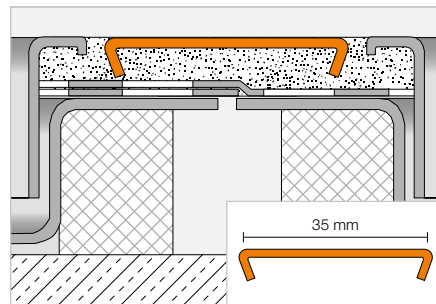


ACCESSOIRES

Schlüter®-KERDI-LINE-FC



Schlüter-KERDI-LINE-FC est une pièce de jonction pour la finition des kits grille/cadre lors du montage en enfilade de plusieurs caniveaux Schlüter-KERDI-LINE ou Schlüter-KERDI-LINE-STYLE.
(Fiche produit 8.7)



Schlüter®-KERDI-LINE-FC

Pièce de jonction pour caniveaux, inox V4A brossé

Art.-No.	€ / u.	P (u.)
V / KL EB 35	12,45	10

Schlüter®-KERDI-LINE-FC

Pièce de jonction pour caniveaux, inox V4A poli brillant

Art.-No.	€ / u.	P (u.)
V / KL EP 35	13,10	10

Schlüter®-KERDI-LINE-FC

Pièce de jonction pour caniveaux, inox V4A coloré noir graphite mat

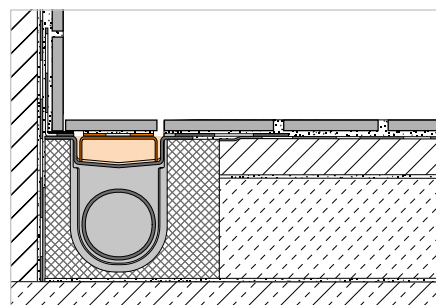
Art.-No.	€ / u.	P (u.)
V / KL MGS 35	16,19	10

SUPPORT À CARRELER

Schlüter®-KERDI-LINE-D



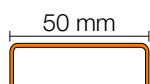
Schlüter-KERDI-LINE-D est un support à carreler sans cadre, permettant de réaliser un caniveau filant, adapté à la gamme Schlüter-KERDI-LINE. Ce support à carreler est recouvert d'un non-tissé pour l'ancrage du mortier-colle, et convient pour toutes les épaisseurs de carreaux en céramique et en pierre naturelle.
(Fiche produit 8.7)



Schlüter®-KERDI-LINE-D

Design TILE (sans cadre), acier inox. V4A

L (cm)	Art.-No.	€ / u.	P (u.)
49	KLD E 50	87,30	10
59	KLD E 60	92,24	10
69	KLD E 70	98,79	10
79	KLD E 80	104,67	10
89	KLD E 90	110,28	10
99	KLD E 100	117,16	10
109	KLD E 110	124,04	10
119	KLD E 120	129,65	10
129	KLD E 130	191,06	10
139	KLD E 140	196,87	10
149	KLD E 150	205,47	10
159	KLD E 160	215,12	10
169	KLD E 170	223,49	10
179	KLD E 180	241,48	10



Nota :

La longueur du support à carreler choisi doit correspondre à la longueur du caniveau.

Schlüter-KERDI-LINE-D ne peut pas être combiné avec l'évacuation verticale excentrée Schlüter-KERDI-LINE-VOS.

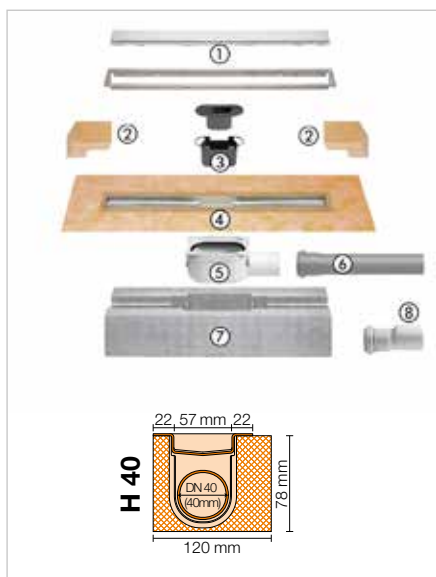
KIT D'ÉTANCHÉITÉ COMPLET

Kits Schlüter®-KERDI-LINE-A



Les kits Schlüter-KERDI-LINE-A sont des kits complets pour douches à l'italienne avec évacuation horizontale. Ils peuvent s'utiliser indifféremment pour un montage au centre de la douche ou le long d'un mur. Le rebord du caniveau est doté d'une collerette Schlüter-KERDI collée en usine. Elle assure le raccordement fiable du corps de caniveau avec l'étanchéité composite, tant au niveau du sol que des murs. Le kit comprend un cadre en inox V4A brossé et une grille design Schlüter-KERDI-LINE-A.

(Fiche produit 8.7)



Kit Schlüter®-KERDI-LINE-A

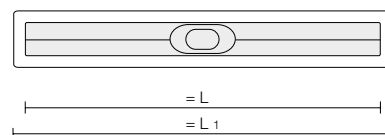
Caniveau en acier inox. V4A, évacuation horizontale (DN 40), grille design SOLID (A) avec cadre de 19 mm, acier inox. V4A brossé

L (cm)	L1 (cm)	Art.-No.	€ / Kit	PL (kit)
80	85	KLA 19 EB 80 S1	494,97	10
90	95	KLA 19 EB 90 S1	508,58	10

H = 19 mm pour revêtements de 3 à 15 mm d'épaisseur

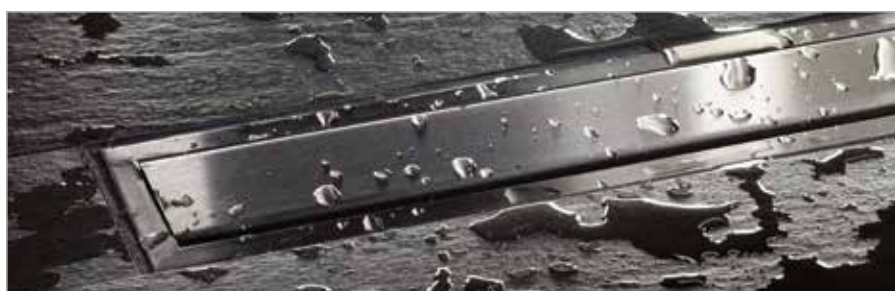
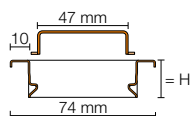
Caractéristiques techniques :

Écoulement	DN 40
Débit	0,5 l/s
Hauteur de garde d'eau	25 mm
Encombrement en hauteur	78 mm
Largeur de la grille avec cadre	74 mm



Composants du kit :

- 1 Kit grille/cadre avec grille design SOLID
- 2 Angles préformés (pour raccordement au mur)
- 3 Siphon en deux parties
- 4 Corps de caniveau en acier inox. V4A avec collerette d'étanchéité collée en usine
- 5 Corps du siphon
- 6 Tuyau d'évacuation
- 7 Support du caniveau
- 8 Raccord de transition DN 40 à DN 50





My Schlüter®-KERDI-LINE

Créatif. Personnalisé. Unique.

Avec « My Schlüter-KERDI-LINE », vous pouvez personnaliser votre douche grâce à une gravure unique sur la grille et/ou le cadre. Vous trouverez ci-dessous les prix applicables aux combinaisons grille/cadre des pages précédentes, selon la gravure souhaitée. Rajoutez simplement le code article de la gravure souhaitée à la référence de kit grille/cadre choisi.

- ✓ Pour des longueurs jusqu'à 120 cm
- ✓ Trois variantes de gravure
- ✓ Des gravures précises et durables



KIT GRILLE/CADRE

Schlüter®-KERDI-LINE-A 19 mm

avec gravure de surface uniquement sur la grille (G1)

Art.-No.	Supplément €/u.
...* G1	51,78

avec gravure de surface sur la grille + gravure en trames sur le cadre (G1R)

Art.-No.	Supplément €/u.
...* G1R	83,43

avec gravure en trames uniquement sur le cadre (GR)

Art.-No.	Supplément €/u.
...* GR	31,64

avec gravure par changement de couleur uniquement sur la grille (G2)

Art.-No.	Supplément €/u.
...* G2	63,29

avec gravure par changement de couleur sur la grille + gravures en trames sur le cadre (G2R)

Art.-No.	Supplément €/u.
...* G2R	94,94

avec gravure en trames uniquement sur la grille (G3)

Art.-No.	Supplément €/u.
...* G3	34,52

avec gravure en trames sur la grille et sur le cadre (G3R)

Art.-No.	Supplément €/u.
...* G3R	66,17

Schlüter®-KERDI-LINE-B 19 mm

avec gravure en trames uniquement sur le cadre (GR)

Art.-No.	Supplément €/u.
...* GR	31,64

Schlüter®-KERDI-LINE-C 19 mm

avec gravure en trames uniquement sur le cadre (GR)

Art.-No.	Supplément €/u.
...* GR	31,64

Nota :

Les gravures My Schlüter-KERDI-LINE ne sont pas possibles sur les finitions inox poli, ni sur la série Schlüter- KERDI-LINE-STYLE.

* Compléter le n° d'art.
(p. ex. KLA 19 EB 70 G1R)

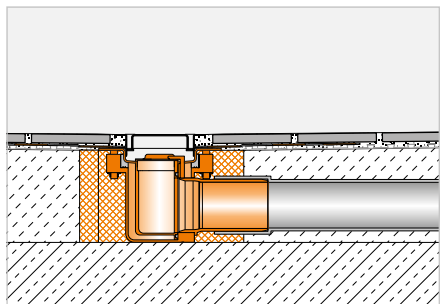




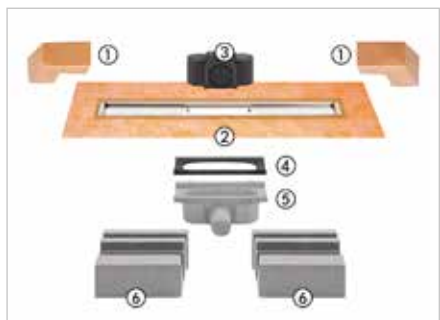
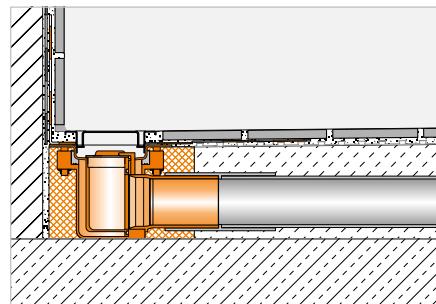
i
**ATTENTION : PRODUITS
 NON VENDUS EN FRANCE**
 (uniquement destinés au marché britannique)

CANIVEAU HORIZONTAL

Schlüter®-KERDI-LINE-G3



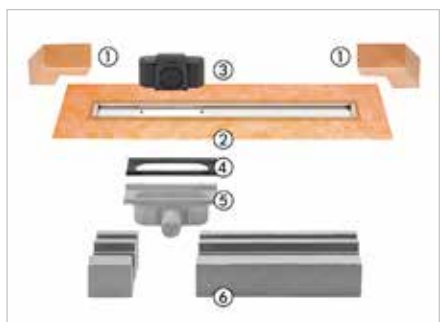
Schlüter-KERDI-LINE-G3 est un caniveau filant en acier inox. à faible hauteur de structure. Ce caniveau est doté d'une évacuation centrale, latérale ou double et monté soit le long du mur soit au centre de la douche. Comme tous les caniveaux filants Schlüter, il est muni d'une collerette en Schlüter-KERDI collée en usine et permettant un raccord fiable à l'étanchéité composite.



Schlüter®-KERDI-LINE-G3

Évacuation au centre de la douche, caniveau en acier inox. V4A

L (cm)	L1 (cm)	Art.-No.	€ / Kit	P (kit)
50	55	KL F 43 G3E 50	299,70	10
60	65	KL F 43 G3E 60	310,80	10
70	75	KL F 43 G3E 70	321,90	10
80	85	KL F 43 G3E 80	333,00	10
90	95	KL F 43 G3E 90	344,10	10
100	105	KL F 43 G3E 100	355,20	10
110	115	KL F 43 G3E 110	366,30	10
120	125	KL F 43 G3E 120	377,40	10



Schlüter®-KERDI-LINE-G3

Évacuation côté gauche, caniveau en acier inox. V4A

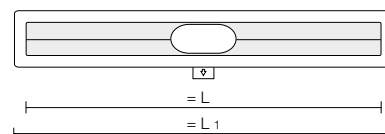
L (cm)	L1 (cm)	Art.-No.	€ / Kit	P (kit)
70	75	KL FOL 43 G3E 70	355,20	10
80	85	KL FOL 43 G3E 80	366,30	10
90	95	KL FOL 43 G3E 90	377,40	10
100	105	KL FOL 43 G3E 100	388,50	10
110	115	KL FOL 43 G3E 110	399,60	10
120	125	KL FOL 43 G3E 120	410,70	10

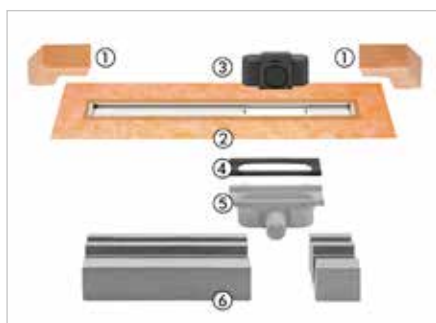
Composants du kit :

- 1 Angle préformé (pour raccordement au mur)
- 2 Corps de caniveau avec collerette d'étanchéité
- 3 Siphon
- 4 Joint EPDM
- 5 Corps de siphon
- 6 Support de caniveau

Caractéristiques techniques :

Écoulement	BS 40 (diamètre externe 43 mm)
Débit	0,45 l/s (évacuation simple) 0,8 l/s (évacuation double)
Hauteur de garde d'eau	50 mm
Encombrement en hauteur	78 mm
Largeur de la grille avec cadre	74 mm

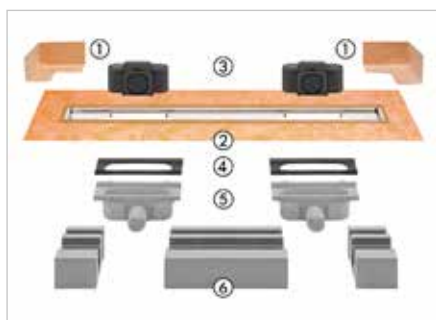




Schlüter®-KERDI-LINE-G3

Évacuation côté droit, caniveau en acier inox. V4A

L (cm)	L1 (cm)	Art.-No.	€ / Kit	P (kit)
70	75	KL FOR 43 G3E 70	355,20	10
80	85	KL FOR 43 G3E 80	366,30	10
90	95	KL FOR 43 G3E 90	377,40	10
100	105	KL FOR 43 G3E 100	388,50	10
110	115	KL FOR 43 G3E 110	399,60	10
120	125	KL FOR 43 G3E 120	410,70	10



Schlüter®-KERDI-LINE-G3

Double évacuation, caniveau en acier inox. V4A

L (cm)	L1 (cm)	Art.-No.	€ / Kit	P (kit)
100	105	KL F20 43 G3E 100	466,20	10
110	115	KL F20 43 G3E 110	477,30	10
120	125	KL F20 43 G3E 120	488,40	10

Nota :

Schlüter-KERDI-LINE-G3 se combine uniquement aux combinaisons grille/cadre Design A, Design B et KERDI-LINE-STYLE.

Composants du kit :

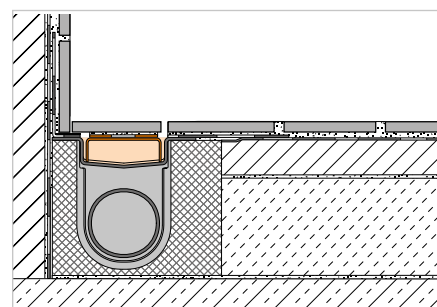
- 1 Angle préformé (pour raccordement au mur)
- 2 Corps de caniveau avec collerette d'étanchéité
- 3 Siphon
- 4 Joint EPDM
- 5 Corps de siphon
- 6 Support de caniveau

SUPPORT À CARRELER

Schlüter®-KERDI-LINE-D-G3



Schlüter-KERDI-LINE-D-G3 est un support à carreler sans cadre, permettant de réaliser un caniveau filant, adapté à la gamme Schlüter-KERDI-LINE-G3. Ce support à carreler est recouvert d'un non-tissé pour l'ancrage du mortier-colle, et convient pour toutes les épaisseurs de carreaux en céramique et en pierre naturelle.



Nota :

La longueur du support à carreler choisi doit correspondre à la longueur du caniveau.

Schlüter®-KERDI-LINE-D-G3

Design TILE (sans cadre), acier inox. V4A

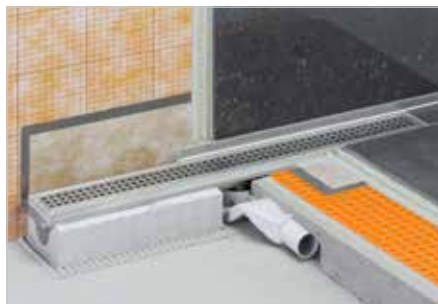
L (cm)	Art.-No.	€ / u.	P (u.)
49	KLD G3E 50	87,30	10
59	KLD G3E 60	92,24	10
69	KLD G3E 70	98,79	10
79	KLD G3E 80	104,67	10
89	KLD G3E 90	110,28	10
99	KLD G3E 100	117,16	10
109	KLD G3E 110	124,04	10
119	KLD G3E 120	129,65	10





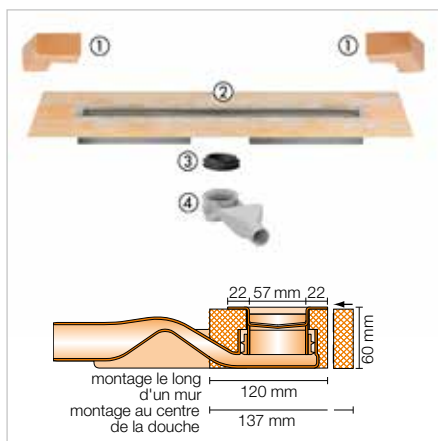
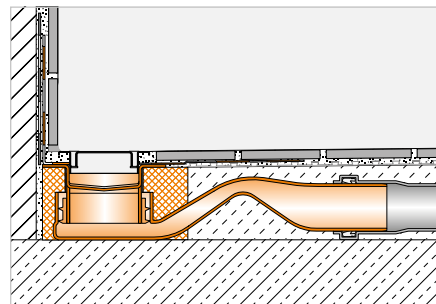
CANIVEAU HORIZONTAL

Schlüter®-KERDI-LINE-F



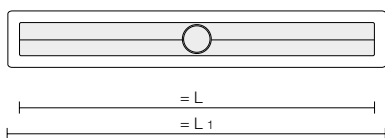
Schlüter-KERDI-LINE-F est un kit de caniveau pour douches à l'italienne avec évacuation horizontale perpendiculaire au caniveau, avec un débatement de 44° de part et d'autre. Il peut s'utiliser indifféremment pour un montage au centre de la douche ou le long d'un mur. Sa faible hauteur (60 mm) le rend idéal dans le cadre d'une rénovation. Le rebord du caniveau est doté d'une collerette Schlüter-KERDI collée en usine. Elle assure le raccordement du corps de caniveau en acier inoxydable V4A avec l'étanchéité composite, tant au niveau du sol que des murs.

(Fiche produit 8.7)



Composants du kit :

- 1 Angles préformés (pour raccordement au mur)
- 2 Corps de caniveau en acier inox. V4A avec collerette d'étanchéité collée en usine
- 3 Joint de liaison
- 4 Siphon



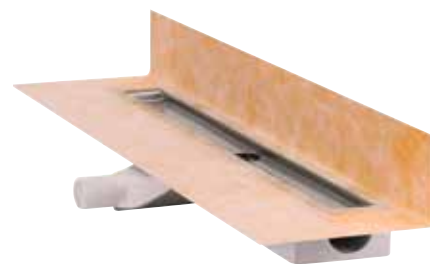
Schlüter®-KERDI-LINE-F 40

Kit de caniveau en acier inox. V4A, évacuation horizontale (DN 40)

L (cm)	L1 (cm)	Art.-No.	€ / Kit	P (kit)
50	55	KLF 40 GE 50	259,27	10
60	65	KLF 40 GE 60	269,77	10
70	75	KLF 40 GE 70	280,29	10
80	85	KLF 40 GE 80	290,75	10
90	95	KLF 40 GE 90	301,94	10
100	105	KLF 40 GE 100	313,09	10
110	115	KLF 40 GE 110	321,63	10
120	125	KLF 40 GE 120	331,48	10



Collerette Schlüter-KERDI positionnée à plat pour montage au centre de la douche



Collerette Schlüter-KERDI relevée pour montage le long du mur

Caractéristiques techniques :

Écoulement	DN 40
Débit	0,45 l/s
Hauteur de garde d'eau	25 mm
Encombrement en hauteur	60 mm
Largeur de la grille avec cadre	74 mm

Nota : Vous trouverez les kits grille-cadre et supports à carreler correspondants pages 164–171.

S'utilise uniquement en liaison avec la natte Schlüter-DITRA 25, sauf pour une pose le long du mur avec sortie traversant la cloison : se référer à la fiche produit 8.7.

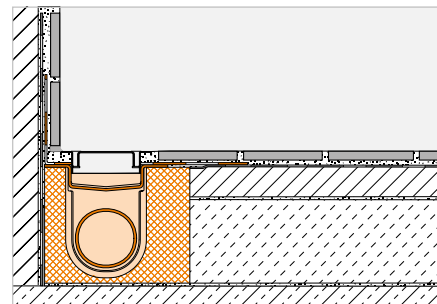
CANIVEAU HORIZONTAL

Schlüter®-KERDI-LINE-H



Schlüter-KERDI-LINE-H est un kit de caniveau pour douches à l'italienne avec évacuation horizontale. Il peut s'utiliser indifféremment pour un montage au centre de la douche ou le long d'un mur. Le rebord du caniveau est doté d'une collerette Schlüter-KERDI collée en usine. Elle assure le raccordement du corps de caniveau en acier inoxydable V4A avec l'étanchéité composite, tant au niveau du sol que des murs.

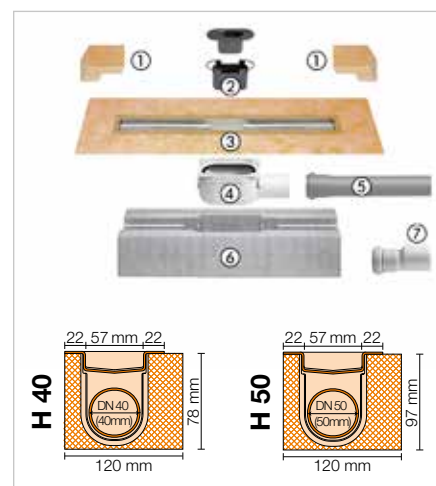
(Fiche produit 8.7)



Schlüter®-KERDI-LINE-H 40

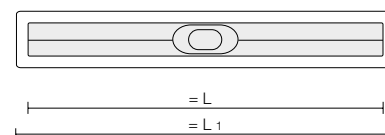
Kit de caniveau en acier inox. V4A, évacuation horizontale (DN 40)

L (cm)	L1 (cm)	Art.-No.	€ / Kit	P (kit)
50	55	KLH 40 GE 50	259,27	10
60	65	KLH 40 GE 60	269,77	10
70	75	KLH 40 GE 70	280,29	10
80	85	KLH 40 GE 80	290,75	10
90	95	KLH 40 GE 90	301,94	10
100	105	KLH 40 GE 100	313,09	10
110	115	KLH 40 GE 110	321,63	10
120	125	KLH 40 GE 120	331,48	10
130	135	KLH 40 GE 130	439,05	10
140	145	KLH 40 GE 140	450,65	10
150	155	KLH 40 GE 150	464,15	10
160	165	KLH 40 GE 160	480,76	10
170	175	KLH 40 GE 170	495,50	10
180	185	KLH 40 GE 180	512,43	10



Composants du kit :

- 1 Angles préformés (pour raccordement au mur)
- 2 Siphon en deux parties
- 3 Corps de caniveau en acier inox. V4A avec collerette d'étanchéité collée en usine
- 4 Corps du siphon
- 5 Tuyau d'évacuation
- 6 Support du caniveau
- 7 Raccord de transition DN 40 à DN 50 (uniquement pour KERDI-LINE-H-40)



Caractéristiques techniques :

Écoulement	DN 40	DN 50
Débit	0,5 l/s	0,6 l/s
Hauteur de garde d'eau	25 mm	30 mm
Encombrement en hauteur	78 mm	97 mm
Largeur de la grille avec cadre	74 mm	74 mm

Nota :

Vous trouverez les kits grille-cadre et supports à carreler correspondants pages 164-171.



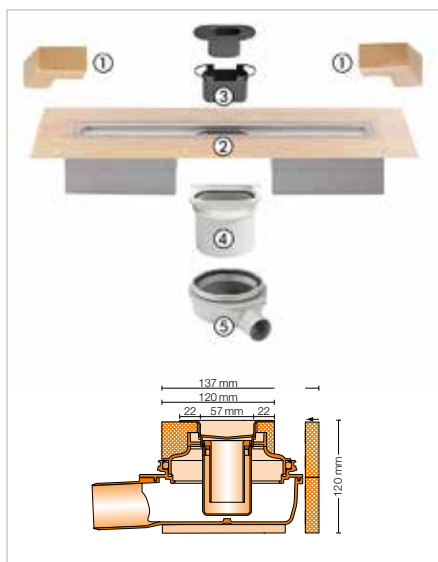
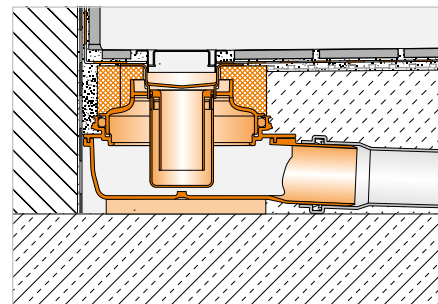
CANIVEAU HORIZONTAL

Schlüter®-KERDI-LINE-H 50 G2



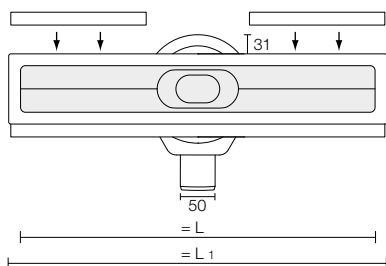
Schlüter-KERDI-LINE-H 50 G2 est un kit de caniveau pour douches à l'italienne avec évacuation horizontale orientable à 360°. Il peut s'utiliser indifféremment pour un montage au centre de la douche ou le long d'un mur. Son débit d'évacuation est $\geq 0,8$ l/s et sa hauteur de garde d'eau (siphon) est de 50 mm pour satisfaire à la norme NF EN 1253. Le rebord du caniveau est doté d'une collerette Schlüter-KERDI collée en usine. Elle assure le raccordement du corps de caniveau en acier inoxydable V4A à l'étanchéité composite, tant au niveau du sol que des murs.

(Fiche produit 8.7)



Composants du kit :

- 1 Angles préformés (pour raccordement au mur)
- 2 Corps de caniveau en acier inox. V4A avec collerette d'étanchéité collée en usine
- 3 Siphon en deux parties
- 4 Pièce de raccord
- 5 Corps du siphon



Schlüter®-KERDI-LINE-H 50 G2

Kit de caniveau en acier inox. V4A, évacuation horizontale (DN 50)

L (cm)	L1 (cm)	Art.-No.	€ / Kit	P (kit)
50	55	KLH 50 G2E 50	325,25	10
60	65	KLH 50 G2E 60	337,07	10
70	75	KLH 50 G2E 70	348,91	10
80	85	KLH 50 G2E 80	354,82	10
90	95	KLH 50 G2E 90	366,64	10
100	105	KLH 50 G2E 100	378,48	10
110	115	KLH 50 G2E 110	384,39	10
120	125	KLH 50 G2E 120	396,21	10
130	135	KLH 50 G2E 130	502,65	10
140	145	KLH 50 G2E 140	514,47	10
150	155	KLH 50 G2E 150	526,32	10
160	165	KLH 50 G2E 160	544,04	10
170	175	KLH 50 G2E 170	555,88	10
180	185	KLH 50 G2E 180	573,61	10

Caractéristiques techniques :

Écoulement	DN 50
Débit	0,8 l/s
Hauteur de garde d'eau	50 mm
Encombrement en hauteur	120 mm
Largeur de la grille avec cadre	74 mm

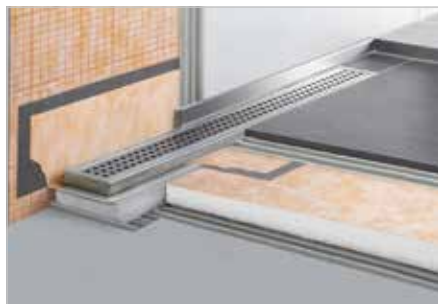
Nota :

Vous trouverez les kits grille-cadre et supports à carrelar correspondants pages 164–171.

Peut s'utiliser en liaison avec la natte Schlüter-DITRA-25 ou la natte Schlüter-KERDI-200 : se référer à la fiche produit 8.7.

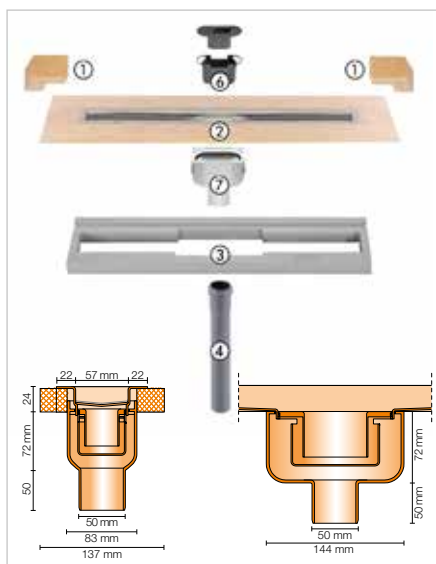
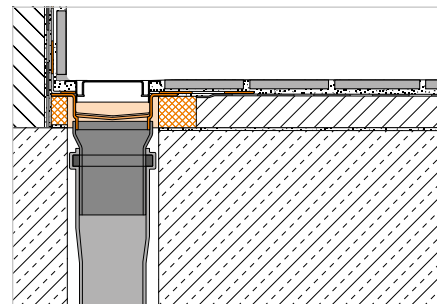
CANIVEAU VERTICAL

Schlüter®-KERDI-LINE-V



Schlüter-KERDI-LINE-V est un kit de caniveau pour douches à l'italienne avec évacuation verticale. Il peut s'utiliser indifféremment pour un montage au centre de la douche ou le long d'un mur. Le rebord du caniveau est doté d'une collerette Schlüter-KERDI collée en usine. Elle assure le raccordement du corps de caniveau en acier inoxydable V4A avec l'étanchéité composite, tant au niveau du sol que des murs.

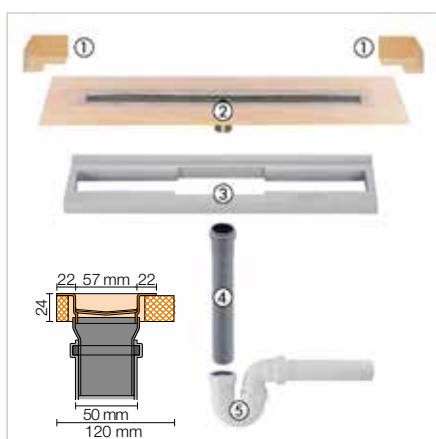
(Fiche produit 8.7)



Schlüter®-KERDI-LINE-V

Kit de caniveau en acier inox. V4A avec siphon intégré, évacuation verticale (DN 50)

L (cm)	L1 (cm)	Art.-No.	€ / Kit	P (kit)
50	55	KLV 50 GE 50	259,27	10
60	65	KLV 50 GE 60	269,77	10
70	75	KLV 50 GE 70	280,29	10
80	85	KLV 50 GE 80	290,75	10
90	95	KLV 50 GE 90	301,94	10
100	105	KLV 50 GE 100	313,09	10
110	115	KLV 50 GE 110	321,63	10
120	125	KLV 50 GE 120	331,48	10
130	135	KLV 50 GE 130	439,05	10
140	145	KLV 50 GE 140	450,65	10
150	155	KLV 50 GE 150	464,15	10
160	165	KLV 50 GE 160	480,76	10
170	175	KLV 50 GE 170	495,50	10
180	185	KLV 50 GE 180	512,43	10



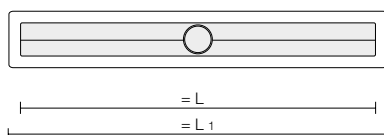
Schlüter®-KERDI-LINE-VS

Kit de caniveau en acier inox. V4A avec siphon tube, évacuation verticale (DN 50)

L (cm)	L1 (cm)	Art.-No.	€ / Kit	P (kit)
50	55	KLV 50 GSE 50	259,27	10
60	65	KLV 50 GSE 60	269,77	10
70	75	KLV 50 GSE 70	280,29	10
80	85	KLV 50 GSE 80	290,75	10
90	95	KLV 50 GSE 90	301,94	10
100	105	KLV 50 GSE 100	313,09	10
110	115	KLV 50 GSE 110	321,63	10
120	125	KLV 50 GSE 120	331,48	10
130	135	KLV 50 GSE 130	439,05	10
140	145	KLV 50 GSE 140	450,65	10
150	155	KLV 50 GSE 150	464,15	10
160	165	KLV 50 GSE 160	480,76	10
170	175	KLV 50 GSE 170	495,50	10
180	185	KLV 50 GSE 180	512,43	10

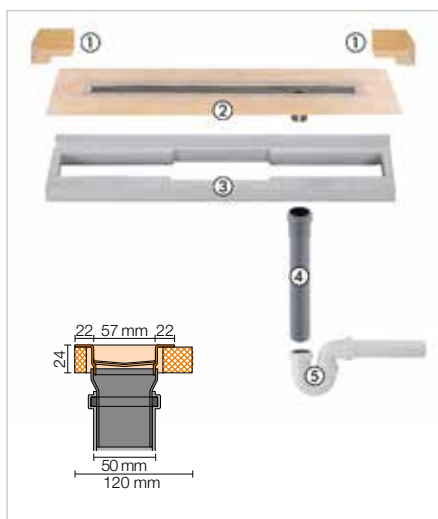
Composants du kit :

- 1 Angles préformés (pour raccordement au mur)
- 2 Corps de caniveau en acier inox. V4A avec collerette d'étanchéité collée en usine
- 3 Support de caniveau
- 4 Tuyau d'évacuation DN 50 (L = 250 mm)
- 5 Siphon-tube
- 6 Siphon en deux parties
- 7 Corps du siphon



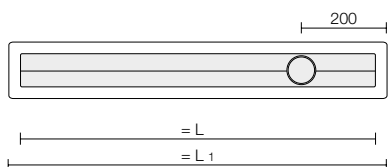
Nota :

Vous trouverez les kits grille-cadre et supports à carrelé correspondants pages 164-171.



Composants du kit :

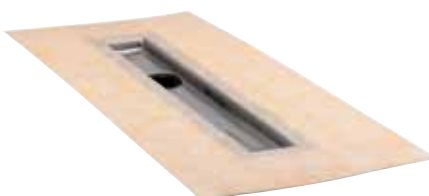
- 1 Angles préformés (pour raccordement au mur)
- 2 Corps de caniveau en acier inox. V4A avec collerette d'étanchéité collée en usine
- 3 Support de caniveau
- 4 Tuyau d'évacuation DN 50 (L = 250 mm)
- 5 Siphon-tube



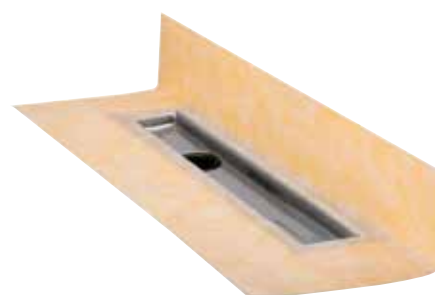
Schlüter®-KERDI-LINE-VOS

Kit de caniveau en acier inox. V4A avec siphon, évacuation verticale excentrée (DN 50)

L (cm)	L1 (cm)	Art.-No.	€ / Kit	P (kit)
70	75	KLVO 50 GSE 70	332,73	10
80	85	KLVO 50 GSE 80	343,10	10
90	95	KLVO 50 GSE 90	357,52	10
100	105	KLVO 50 GSE 100	370,37	10
110	115	KLVO 50 GSE 110	378,22	10
120	125	KLVO 50 GSE 120	388,89	10



Collerette Schlüter-KERDI positionnée à plat pour montage au centre de la douche



Collerette Schlüter-KERDI relevée pour montage le long du mur

Caractéristiques techniques :

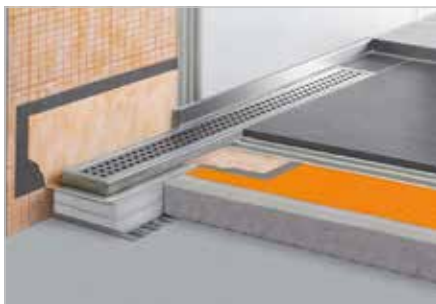
	-V	-VS/-VOS
Écoulement	DN 50	DN 50
Débit	0,8 l/s	1,0 l/s
Hauteur de garde d'eau	30 mm	50 mm
Encombrement en hauteur	24 mm	24 mm
Largeur de la grille avec cadre	74 mm	74 mm

Nota :

Vous trouverez les kits grille-cadre correspondants pages 164–171.
KERDI-LINE-VOS ne peut être combiné au support à carrelé KERDI-LINE-D.

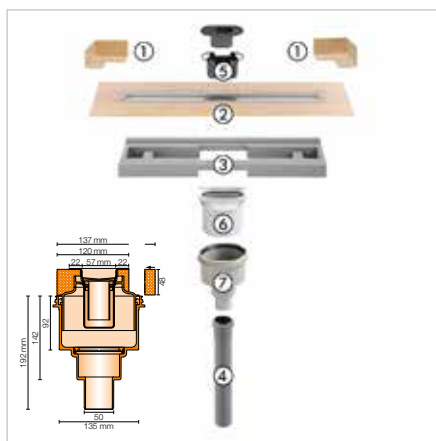
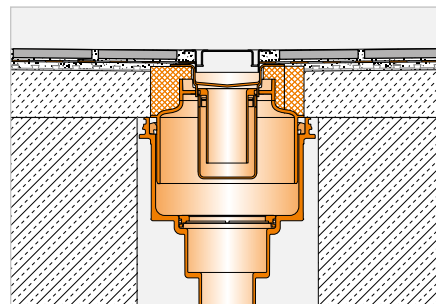
CANIVEAU VERTICAL

Schlüter®-KERDI-LINE-V 50 G2



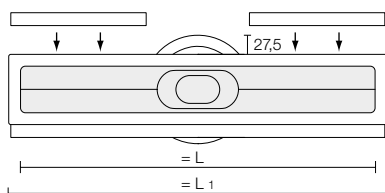
Schlüter-KERDI-LINE-V 50 G2 est un kit de caniveau pour douches à l'italienne avec évacuation verticale. Il peut s'utiliser indifféremment pour un montage au centre de la douche ou le long d'un mur. Son débit d'évacuation est $\geq 0,8$ l/s et sa hauteur de garde d'eau (siphon) est de 50 mm pour satisfaire à la norme NF EN 1253. Le rebord du caniveau est doté d'une collerette Schlüter-KERDI collée en usine. Elle assure le raccordement du corps de caniveau en acier inoxydable V4A à l'étanchéité composite, tant au niveau du sol que des murs.

(Fiche produit 8.7)



Composants du kit :

- 1 Angles préformés (pour raccordement au mur)
- 2 Corps de caniveau en acier inox. V4A avec collerette d'étanchéité collée en usine
- 3 Support de caniveau
- 4 Tuyau d'évacuation
- 5 Siphon en deux parties
- 6 Pièce de raccord
- 7 Corps du siphon



Schlüter®-KERDI-LINE-V 50 G2

Kit de caniveau en acier inox. V4A avec siphon intégré, évacuation verticale (DN 50)

L (cm)	L1 (cm)	Art.-No.	€ / Kit	P (kit)
50	55	KLV 50 G2E 50	325,25	10
60	65	KLV 50 G2E 60	337,07	10
70	75	KLV 50 G2E 70	348,91	10
80	85	KLV 50 G2E 80	354,82	10
90	95	KLV 50 G2E 90	366,64	10
100	105	KLV 50 G2E 100	378,48	10
110	115	KLV 50 G2E 110	384,39	10
120	125	KLV 50 G2E 120	396,21	10
130	135	KLV 50 G2E 130	502,65	10
140	145	KLV 50 G2E 140	514,47	10
150	155	KLV 50 G2E 150	526,32	10
160	165	KLV 50 G2E 160	544,04	10
170	175	KLV 50 G2E 170	555,88	10
180	185	KLV 50 G2E 180	573,61	10

Caractéristiques techniques :

Écoulement	DN 50
Débit	1,0 l/s
Hauteur de garde d'eau	50 mm
Encombrement en hauteur	48 mm
Largeur de la grille avec cadre	74 mm

Nota :

Vous trouverez les kits grille-cadre et supports à carrelar correspondants pages 164–171.

Peut s'utiliser en liaison avec la natte Schlüter-DITRA-25 ou la natte Schlüter-KERDI-200 : se référer à la fiche produit 8.7.



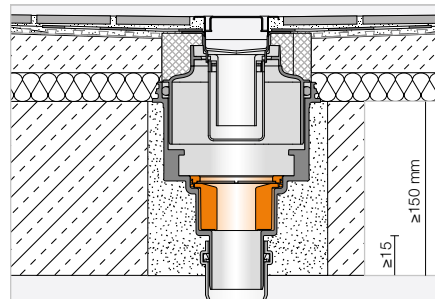
INSERT PARE-FEU

Schlüter®-KERDI-LINE-BS



Schlüter-KERDI-LINE-BS est un insert pare-feu qui permet, en liaison avec le kit de caniveau en acier inoxydable avec évacuation verticale Schlüter-KERDI-LINE KL V 50 G2, d'éviter la propagation du feu entre les étages.

(Fiche produit 8.7)



Schlüter®-KERDI-LINE-BS

Insert pare-feu avec bague de serrage

Art.-No.	€ / u.	P (u.)
KL BS	144,80	10

INSERT PARE-FEU

Schlüter®-KERDI-DRAIN-ZBS



Schlüter-KERDI-DRAIN-ZBS est un joint de traversée avec fonction de protection anti-feu. En lieu et place d'un comblement au mortier, il peut être combiné au kit d'évacuation au sol vertical KD BAV 50 GVB ou au kit de caniveau avec évacuation verticale KDV 50 G2 comme cloisonnement pare-feu pour les carottages (Ø 160 mm) et évite l'apparition de ponts phoniques. Ne fonctionne qu'en liaison avec l'insert pare-feu KD BS ou KL BS.

(Fiche produit 8.2)

Schlüter®-KERDI-DRAIN-ZBS

Joint de traversée avec fonction de protection anti-feu

Art.-No.	€ / u.	P (u.)
KD ZBS	148,79	10

SIPHON AVEC CLAPET ANTI-RETOUR

Schlüter®-KERDI-LINE-GTO



Schlüter-KERDI-LINE-GTO est un siphon avec un clapet anti-retour en silicone. Il peut être mis en œuvre dans les évacuations servant peu souvent (par exemple dans les résidences secondaires), en remplacement d'un siphon traditionnel. Il bloque les remontées d'odeurs dues à l'évaporation de l'eau du corps de siphon. Son débit de 0,4 l/s minimum permet sa mise en œuvre dans tout type d'installation, y compris dans des résidences principales.

(Fiche produit 8.7)

Schlüter®-KERDI-LINE-GTO

Siphon avec clapet anti-retour

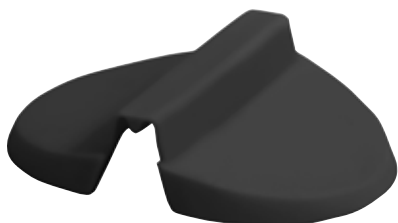
Art.-No.	€ / u.	P (u.)
KL GTO	27,95	10

Nota :

Ne convient pas pour Schlüter-KERDI-LINE-F/-VS/-VOS.

SIPHON AVEC CLAPET ANTI-RETOUR

Schlüter®-KERDI-LINE-GTM



Schlüter-KERDI-LINE-GTM est un clapet anti-retour de remplacement en silicone pour les siphons Schlüter-KERDI-DRAIN-R10 GT et Schlüter-KERDI-LINE-GTO.
(Fiche produit 8.7)

Schlüter®-KERDI-LINE-GTM

Clapet anti-retour de remplacement

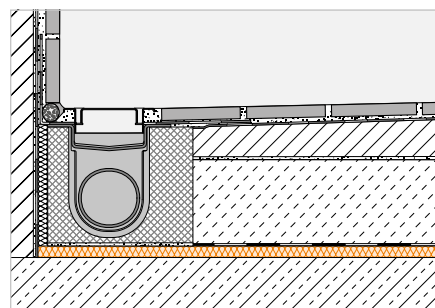
Art.-No.	€ / u.	P (u.)
KL GTM	15,09	10

ISOLATION ACOUSTIQUE

Schlüter®-KERDI-LINE-SR



Schlüter-KERDI-LINE-SR sont des dalles d'isolation acoustique contre les bruits de choc avec un non-tissé spécial. La combinaison de Schlüter-KERDI-LINE et KERDI-LINE-SR apporte une réduction des bruits de choc dans les douches.
(Fiche produit 8.7)



Schlüter®-KERDI-LINE-SR

Dalle en non-tissé polyester (contenu : 1 dalle)

Épaisseur (mm)	Art.-No.	€ / u.	P (u.)
10	KL SR 250	19,85	5

Schlüter®-KERDI-LINE-SR

Dalle en non-tissé polyester (contenu : 4 dalles)

Épaisseur (mm)	Art.-No.	€ / Set	P (Set)
10	KL SR 1000	66,86	5

Schlüter®-DITRA-SOUND-KB

Bande de pontage

38 mm x 50 m Art.-No.	€ / u.	P (u.)
DS KB 38	13,90	10

Dimension d'une dalle : 0,5 m x 0,5 m = 0,25 m²





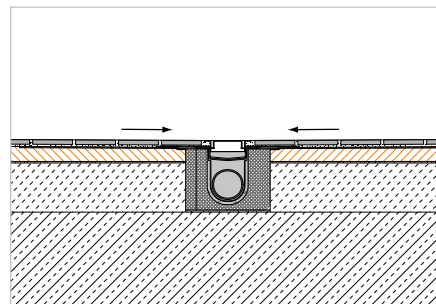
RECEVEUR AVEC PENTE

Schlüter®-KERDI-SHOWER-LT



Schlüter-KERDI-SHOWER-LT est un receveur avec pente en polystyrène résistant à la pression, recouvert d'une étanchéité Schlüter-KERDI collée en usine. Il permet la réalisation d'une pente adaptée en direction du caniveau Schlüter-KERDI-LINE positionné au centre des douches à l'italienne. Le receveur est posé sur un support maçonné existant, de hauteur adaptée aux côtés du caniveau. Pour les évacuations verticales, le receveur peut être posé directement sur le support adéquat déjà existant. Les panneaux peuvent être aisément redécoupés à l'aide d'un cutter grâce aux rainures prédéfinies.

(Fiche produit 8.8)



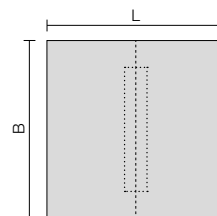
Schlüter®-KERDI-SHOWER-LT

Receveur avec pente recouvert de Schlüter-KERDI pour caniveau Schlüter-KERDI-LINE, pour montage au centre de la douche

L x B (cm)	H (mm)	Art.-No.	€ / u.	P (u.)
100 x 100	32	KSLT 1000	156,60	10
122 x 122	34	KSLT 1220	183,60	10
139 x 139	36	KSLT 1395	221,40	10

Nota :

Schlüter-KERDI-SHOWER-LT convient pour Schlüter-KERDI-LINE-H et -KERDI-LINE-V.
Ne convient pas pour Schlüter-KERDI-LINE-F.



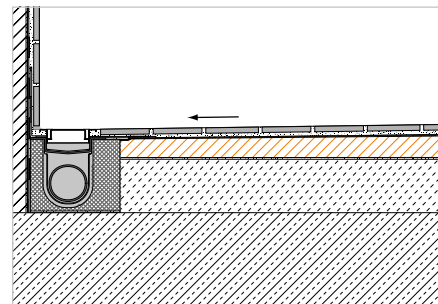
RECEVEUR AVEC PENTE

Schlüter®-KERDI-SHOWER-LTS



Schlüter-KERDI-SHOWER-LTS est un receveur avec pente en polystyrène résistant à la pression, recouvert d'une étanchéité Schlüter-KERDI collée en usine. Il permet la réalisation d'une pente adaptée en direction du caniveau Schlüter-KERDI-LINE positionné le long du mur des douches à l'italienne. Le receveur avec pente est posé sur un support maçonné existant, de hauteur adaptée au côté du caniveau. Pour les évacuations verticales, le receveur peut être posé directement sur le support adéquat déjà existant. Les panneaux peuvent être aisément redécoupés à l'aide d'un cutter grâce aux rainures prédéfinies.

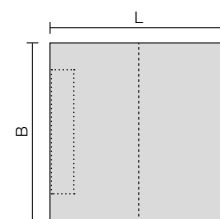
(Fiche produit 8.8)



Schlüter®-KERDI-SHOWER-LTS

Receveur avec pente recouvert de Schlüter-KERDI pour caniveau Schlüter-KERDI-LINE, pour montage le long du mur, carré

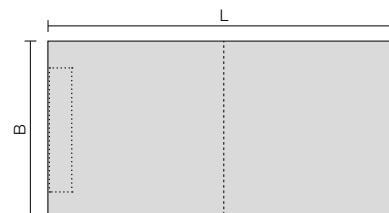
L x B (cm)	H (mm)	H1 (mm)	Art.-No.	€ / u.	P (u.)
100 x 100	42	22	KSLT 1000 S	156,60	10
122 x 122	46	22	KSLT 1220 S	183,60	10
139 x 139	50	22	KSLT 1395 S	221,40	10



Schlüter®-KERDI-SHOWER-LTS

Receveur avec pente recouvert de Schlüter-KERDI pour caniveau Schlüter-KERDI-LINE, pour montage le long du mur, caniveau sur le côté court

L x B (cm)	H (mm)	H1 (mm)	Art.-No.	€ / u.	P (u.)
139 x 91	50	22	KSLT 915 / 1395 S	178,20	10
183 x 91	58	22	KSLT 915 / 1830 S	232,20	10
193 x 96	60	22	KSLT 965 / 1930 S	243,00	10
200 x 136	39	13	KSLT 1365 / 2000 S*	253,80	10



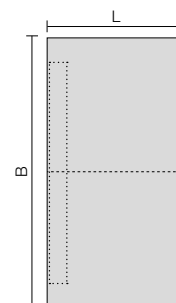
* Convient pour Schlüter-KERDI-LINE-H. Ne convient pas pour Schlüter-KERDI-LINE-F et -KERDI-LINE-V.

La pente de ce receveur étant de 1,25 %, elle ne permet pas la mise en œuvre des profilés Schlüter-SHOWERPROFILE-S.

Schlüter®-KERDI-SHOWER-LTS

Receveur avec pente recouvert de Schlüter-KERDI pour caniveau Schlüter-KERDI-LINE, pour montage le long du mur, caniveau sur le côté long

L x B (cm)	H (mm)	H1 (mm)	Art.-No.	€ / u.	P (u.)
96 x 193	41	22	KSLT 1930 / 965 S	243,00	10



Nota :

Schlüter-KERDI-SHOWER-LTS (sauf KSLT 1365 / 2000 S*) convient pour Schlüter-KERDI-LINE-H et -KERDI-LINE-V.

Ne convient pas pour Schlüter-KERDI-LINE-F.



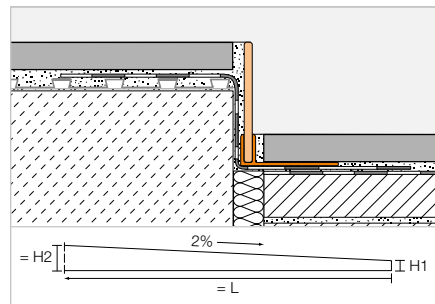
PROFILÉ LATÉRAL AVEC PENTE

Schlüter®-SHOWERPROFILE-S



Schlüter-SHOWERPROFILE-S est un profilé latéral en deux parties pour l'habillage des côtés de douches à l'italienne. Le système comprend un profilé support en PVC rigide, disponible en différentes hauteurs et doté d'une gorge en U, prévu pour la fixation au sol. Il reçoit un profilé plat en inox V4A brossé, avec une pente de 2 %, recouvert au dos d'un non-tissé pour l'ancrage dans le mortier-colle. Pour le réglage en hauteur, on raccourcira à la demande la longueur excédentaire du profilé dans sa partie haute et/ou sa partie basse. Le profilé avec pente est utilisable à gauche ou à droite pour la transition avec le sol ou avec un mur.

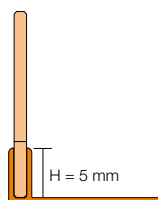
(Fiche produit 14.1)



Schlüter®-SHOWERPROFILE-SPS 50

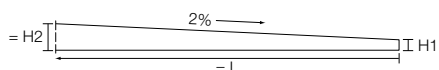
Profilé latéral en 2 parties :
PVC et inox V4A brossé, H1 = 6 mm

H (mm)	L = 2,00 m Art.-No.	€ / u.	KV (u.)
5	SPSA 50 EB/200	97,07	40
	L = 1,60 m		
5	SPSA 50 EB/160	67,68	40
	L = 1,20 m		
5	SPSA 50 EB/120	49,36	40



SPS 50

H = Hauteur du profilé-support
SPS 50 convient pour des épaisseurs de carreaux de 6 à 9 mm

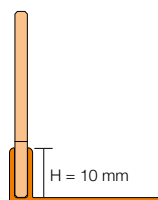


Profilé avec pente 120 cm : H2 = 30 mm, H1 = 6 mm
Profilé avec pente 160 cm : H2 = 38 mm, H1 = 6 mm
Profilé avec pente 200 cm : H2 = 46 mm, H1 = 6 mm

Schlüter®-SHOWERPROFILE-SPS 100

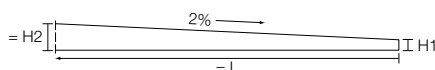
Profilé latéral en 2 parties :
PVC et inox V4A brossé, H1 = 10 mm

H (mm)	L = 2,00 m Art.-No.	€ / u.	KV (u.)
10	SPSB 100 EB/200	103,00	40
	L = 1,60 m		
10	SPSB 100 EB/160	69,31	40
	L = 1,20 m		
10	SPSB 100 EB/120	52,91	40



SPS 100

H = Hauteur du profilé-support
SPS 100 convient pour des épaisseurs de carreaux de 10 à 18 mm

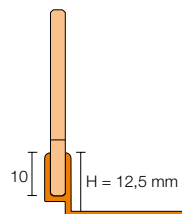


Profilé avec pente 120 cm : H2 = 34 mm, H1 = 10 mm
Profilé avec pente 160 cm : H2 = 42 mm, H1 = 10 mm
Profilé avec pente 200 cm : H2 = 50 mm, H1 = 10 mm

Schlüter®-SHOWERPROFILE-SPS 125

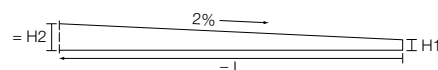
Profilé latéral en 2 parties :
PVC et inox V4A brossé, H1 = 10 mm

H (mm)	L = 2,00 m Art.-No.	€ / u.	KV (u.)
12,5	SPSB 125 EB/200	103,00	40
	L = 1,60 m		
12,5	SPSB 125 EB/160	69,31	40
	L = 1,20 m		
12,5	SPSB 125 EB/120	52,91	40



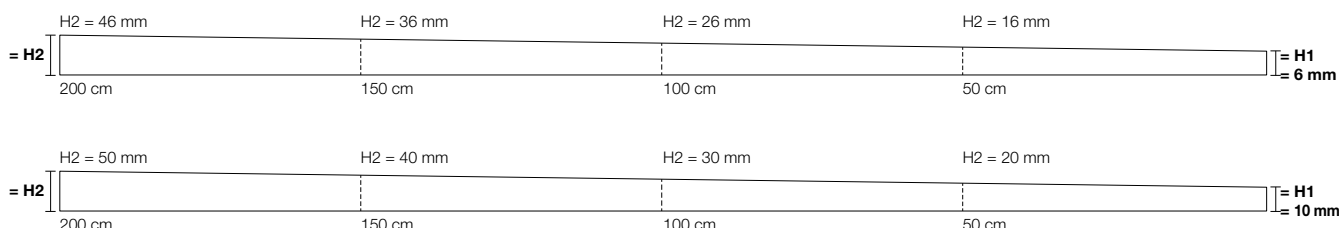
SPS 125

H = Hauteur du profilé-support
SPS 125 convient pour des épaisseurs de carreaux de 12,5 à 20 mm



Profilé avec pente 120 cm : H2 = 34 mm, H1 = 10 mm
Profilé avec pente 160 cm : H2 = 42 mm, H1 = 10 mm
Profilé avec pente 200 cm : H2 = 50 mm, H1 = 10 mm

2 % = 2 mm / 10 cm



Nota :

Pour des épaisseurs de carreaux plus importantes, ce système est disponible sur demande avec des profilés-supports en 15, 18 et 22 mm de hauteur.

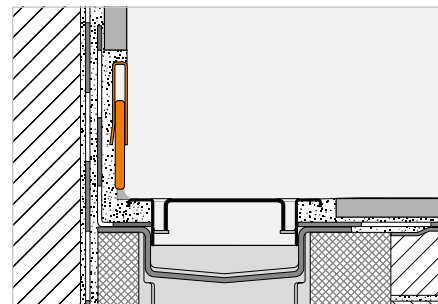
PROFILÉ DE RACCORDEMENT MURAL

Schlüter®-SHOWERPROFILE-R



Schlüter-SHOWERPROFILE-R est un profilé de raccordement mural en deux parties pour la liaison avec le mur dégagé par la pente au-dessus d'un caniveau. La surface visible du profilé est en inox V4A brossé. Il est doté au dos d'un non-tissé pour l'ancrage dans le mortier-colle. Grâce à sa conception en deux parties, Schlüter-SHOWERPROFILE-R est adapté pour des hauteurs de 23 à 45 mm (existe en deux versions).

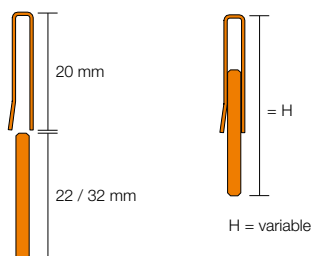
(Fiche produit 14.1)



Schlüter®-SHOWERPROFILE-RA

Profilé de raccordement mural en 2 parties, inox V4A brossé

H (mm)	L = 1,40 m Art.-No.	€ / u.	KV (u.)
23-35	SPRA 23 EB/140	68,20	40
33-45	SPRA 33 EB/140	74,77	40
	L = 1,00 m		
23-35	SPRA 23 EB/100	55,07	40
33-45	SPRA 33 EB/100	60,32	40





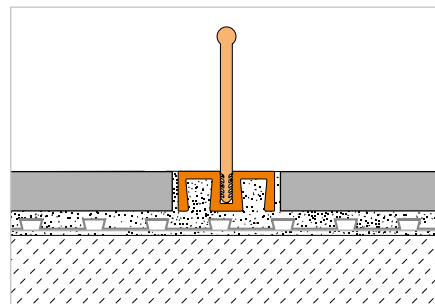
PROFILÉ ANTI-DÉBORDEMENT

Schlüter®-SHOWERPROFILE-WS



Schlüter-SHOWERPROFILE-WS est un profilé anti-débordement en deux parties, destiné à empêcher le passage de l'eau hors des douches à l'italienne. Le profilé-support en aluminium anodisé s'ancre dans le mortier-colle lors de la mise en œuvre des carreaux. Il peut être doté, au choix, d'un insert vertical ou arrondi, ces deux variantes étant adaptées au franchissement en fauteuil roulant.

(Fiche produit 14.2)



Schlüter®-SHOWERPROFILE-WS

Profilé-support alu. naturel anodisé mat

L = 3,00 m Art.-No.	€/ m	KV (u.)
SPWS 19 AE / 300	21,33	40
L = 2,50 m		
SPWS 19 AE	21,33	40
L = 1,00 m		
SPWS 19 AE / 100	22,23	40

INSERT

Schlüter®-SHOWERPROFILE-WSL

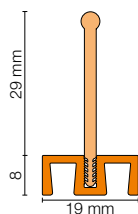
Insert vertical

L = 3,00 m Art.-No.	€/ m	KV (u.)
SPWSL 30 T / 300	13,27	40
L = 2,50 m		
SPWSL 30 T	13,27	40
L = 1,00 m		
SPWSL 30 T / 100	13,27	40

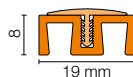
Schlüter®-SHOWERPROFILE-WSC

Insert arrondi

L = 3,00 m Art.-No.	€/ m	KV (u.)
SPWSC 16 GS / 300	10,98	40
L = 2,50 m		
SPWSC 16 GS	10,98	40
L = 1,00 m		
SPWSC 16 GS / 100	10,98	40



SHOWERPROFILE-WS + -WSL



SHOWERPROFILE-WS + -WSC

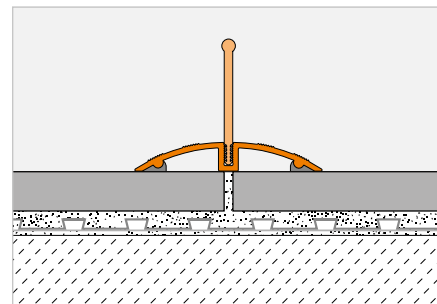
PROFILÉ ANTI-DÉBORDEMENT

Schlüter®-SHOWERPROFILE-WSK



Schlüter-SHOWERPROFILE-WSK est un profilé anti-débordement en deux parties, destiné à empêcher le passage de l'eau hors des douches à l'italienne. Le profilé-support en aluminium anodisé se colle ultérieurement sur des revêtements existants. Il peut être doté, au choix, d'un insert vertical ou arrondi, ces deux variantes étant adaptées au franchissement en fauteuil roulant.

(Fiche produit 14.2)



Schlüter®-SHOWERPROFILE-WSK

Profilé-support alu. naturel anodisé mat

L = 3,00 m Art.-No.	€ / m	KV (u.)
SPWSK 52 AE / 300	24,97	40
L = 2,50 m		
SPWSK 52 AE	24,97	40
L = 1,00 m		
SPWSK 52 AE / 100	25,87	40

INSERT | CAPUCHON DE FERMETURE

Schlüter®-SHOWERPROFILE-WSL

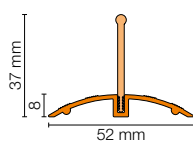
Insert vertical

L = 3,00 m Art.-No.	€ / m	KV (u.)
SPWSL 30 T / 300	13,27	40
L = 2,50 m		
SPWSL 30 T	13,27	40
L = 1,00 m		
SPWSL 30 T / 100	13,27	40

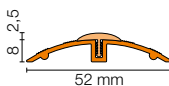
Schlüter®-SHOWERPROFILE-WSC

Insert arrondi

L = 3,00 m Art.-No.	€ / m	KV (u.)
SPWSC 16 GS / 300	10,98	40
L = 2,50 m		
SPWSC 16 GS	10,98	40
L = 1,00 m		
SPWSC 16 GS / 100	10,98	40



SHOWERPROFILE-WSK + -WSL

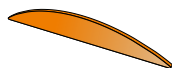


SHOWERPROFILE-WSK + -WSC

Schlüter®-SHOWERPROFILE-WSK/EK

Capuchon de fermeture

Art.-No.	€ / u.	P (u.)
EK / SPWSK 52 AE	3,48	50



SHOWERPROFILE-WSK/EK

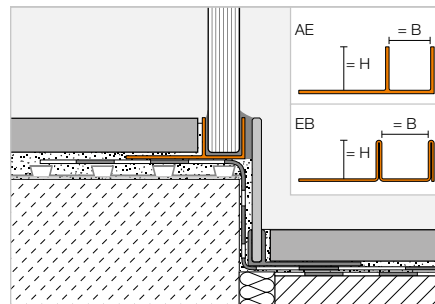


PROFILÉ-SUPPORT

Schlüter®-DECO-SG



Schlüter-DECO-SG est un profilé décoratif permettant de réaliser un joint creux de 12 ou 15 mm de large dans les revêtements carrelés. Ce joint creux est idéal pour la mise en place et la fixation de tablettes (au mur) ou de parois (au sol).
(Fiche produit 2.16)



Schlüter®-DECO-SG-AE

Alu. naturel anodisé mat, B = 12 mm

H (mm)	L = 2,50 m Art.-No.	€ / m	KV (u.)
8	SG 80 AE 12	15,87	120
10	SG 100 AE 12	16,29	120
11	SG 110 AE 12	16,66	120
12,5	SG 125 AE 12	17,10	120

Schlüter®-DECO-SG-AE

Alu. naturel anodisé mat, B = 15 mm

H (mm)	L = 2,50 m Art.-No.	€ / m	KV (u.)
8	SG 80 AE 15	18,36	120
10	SG 100 AE 15	18,63	120
11	SG 110 AE 15	19,28	120
12,5	SG 125 AE 15	19,71	120

Schlüter®-DECO-SG-EB

Acier inox. V4A brossé, B = 12 mm

H (mm)	L = 2,50 m Art.-No.	€ / m	KV (u.)
8	SG 80 EB 12	44,40	120
10	SG 100 EB 12	46,62	120
11	SG 110 EB 12	48,84	120
12,5	SG 125 EB 12	51,06	120

Schlüter®-DECO-SG-EB

Acier inox. V4A brossé, B = 15 mm

H (mm)	L = 2,50 m Art.-No.	€ / m	KV (u.)
8	SG 80 EB 15	47,73	120
10	SG 100 EB 15	49,95	120
11	SG 110 EB 15	52,17	120
12,5	SG 125 EB 15	54,39	120



Schlüter®-KERDI-DRAIN

Une évacuation en toute simplicité

- ✓ Système d'évacuation de sol à platine, avec ou sans siphon
- ✓ Systèmes complets en liaison avec l'étanchéité Schlüter-KERDI
- ✓ Large choix de grilles et de cadres
- ✓ Grilles design en inox brossé
- ✓ Évacuation horizontale ou verticale
- ✓ Avec collerette Schlüter-KERDI pour le raccordement à l'étanchéité





Schlüter®-KERDI-DRAIN

Douches à l'italienne avec grille

Les évacuations Schlüter-KERDI-DRAIN existent en sortie horizontale ou verticale. Des receveurs avec pente Schlüter-KERDI-SHOWER permettent de créer rapidement un support plan et étanche pour la pose des carreaux. Les profilés Schlüter-SHOWERPROFILE habillent les côtés de la douche et garantissent une protection efficace contre les débordements. Schlüter-DECO-SG permet de fixer des parois de douche en verre à l'emplacement voulu. Schlüter-KERDI et -DITRA assurent l'étanchéité au niveau des murs et du sol. L'étanchéité des points singuliers est assurée par des bandes Schlüter-KERDI-KEBA collées avec Schlüter-KERDI-COLL-L.

(Fiche produit 8.2)

LES GRANDS CLASSIQUES



Design 1 : CLASSIC



Design 1 : CLASSIC



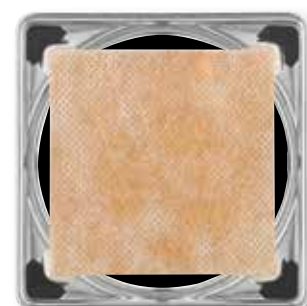
Design 1 : CLASSIC ROUND



Design 2 : TRAPEZOID

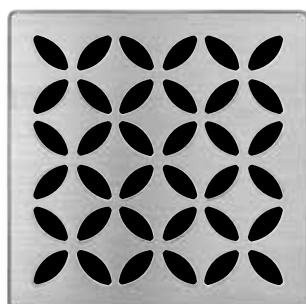


Design 3 : SQUARE



Design 4 : TILE

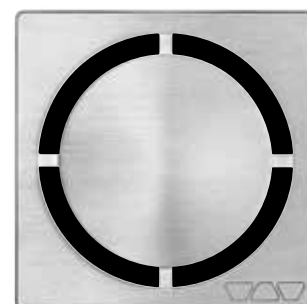
SCHLÜTER®-KERDI-DRAIN-STYLE



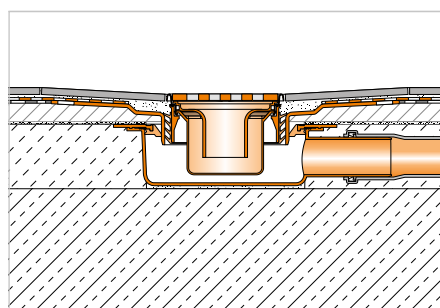
Design 5 : FLORAL



Design 6 : CURVE



Design 7 : PURE



- ① Corps de siphon Schlüter®-KERDI-DRAIN
- ② Kits grilles/cadres Schlüter®-KERDI-DRAIN
- ③ Schlüter®-KERDI-SHOWER
- ④ Schlüter®-DITRA 25
- ⑤ Schlüter®-KERDI-200
- ⑥ Schlüter®-KERDI-KEBA
- ⑦ Schlüter®-SHOWERPROFILE-WS/-WSK
- ⑧ Schlüter®-DECO-SG
- ⑨ Schlüter®-DILEX-RF

Page 193

Page 193

Page 209

Page 132

Page 148

Page 149

Page 186

Page 188

Page 106

Dans les pages suivantes, vous trouverez toutes les combinaisons possibles de grilles/cadres avec les kits d'évacuations verticales et horizontales, ainsi que certaines pièces détachées ou solutions spécifiques.



Schlüter®-KERDI-DRAIN

Évacuation horizontale et siphon

ÉVACUATION POUR UTILISATION EN INTÉRIEUR

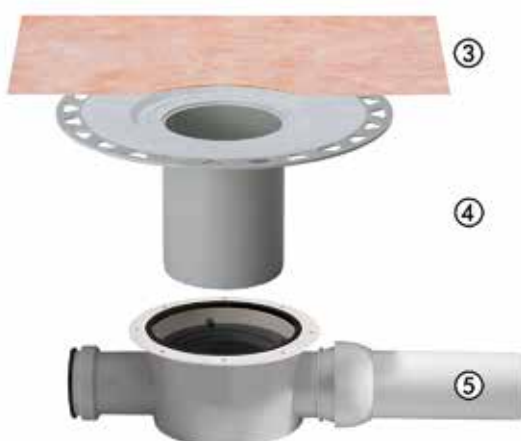


①

②

Kit grille/cadre

- ① Grille en acier inox. avec cadre et rallonge de cadre
- ② Excentrique



③

④

⑤

Kit d'évacuation de sol

- ③ Colletette Schlüter-KERDI
- ④ Avaloir à platine
- ⑤ Évacuation de sol avec siphon

Nota :

Le kit d'évacuation au sol et le kit grille/cadre doivent faire l'objet de commandes séparées.

PARTICULARITÉS DES KITS GRILLE/CADRE



Uniquement KERDI-DRAIN-BASE :

Les grilles sont équipées d'un siphon et d'un joint en accordéon.



Les grilles disposent d'une rallonge de cadre (sauf KD R10 ED4) et d'un excentrique, qui permet le réglage en hauteur et l'alignement des joints. Ces grilles ne sont pas équipées d'un siphon. Le siphon est intégré dans le kit d'évacuation de sol. Toutes les grilles sont avec panier filtrant, sauf KD R10 ED4, KD R15 ED1 S, KD R15 ED1 SB et KD R15 ED1 SR.

DESIGN DES GRILLES



Design 1
CLASSIC



Design 1
CLASSIC
ROUND



Design 2
TRAPEZOID



Design 3
SQUARE



Design 4
TILE



Design 5
FLORAL



Design 6
CURVE



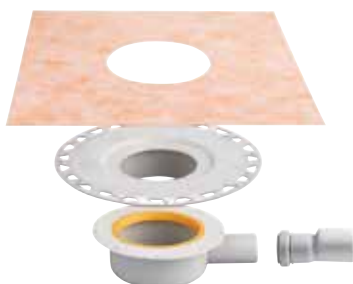
Design 7
PURE

DN 40/50

Débit: 0,4 l/s, Hauteur de structure min.: 75 (70) mm

Kit d'évacuation de sol

Schlüter®-KERDI-DRAIN-BASE



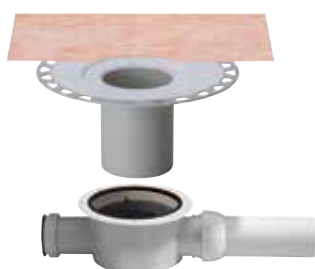
Art.-No.	€ / u.
KD BH 40	63,87

Kit grille/cadre avec siphon	L x B (cm)	Art.-No.	€ / u.
Design 1, inox avec vis	10 x 10	KD R10 ED1 SGV	65,77
Design 1, inox V4A avec vis	10 x 10	KD R10 V4A D1 SGV	79,82
Design 1, inox poli brillant avec vis	10 x 10	KD R10 EPD1 SGV	70,52
Design 1, inox	10 x 10	KD R10 ED1 GV	65,77
Design 1, inox, finition bronze poli à l'huile avec vis	10 x 10	KD R10 EOB D1 SGV	89,41
Design 2, inox brossé	10 x 10	KD R10 ED2 GV	111,78
Design 3, inox brossé	10 x 10	KD R10 ED3 GV	111,78
Design 4, support à carreler	10 x 10	KD R10 ED4 GV	65,77
Design 5, inox brossé	10 x 10	KD IF 10 EB D5 GV	110,14
Design 6, inox brossé	10 x 10	KD IF 10 EB D6 GV	110,14
Design 7, inox brossé	10 x 10	KD IF 10 EB D7 GV	112,36

DN 50

Débit: 0,6 l/s, Hauteur de structure min.: 97 mm

Kit d'évacuation de sol



Art.-No.	€ / u.
KD BH 50 GV	95,81

Kit grille/cadre	L x B (cm)	Art.-No.	€ / u.
Design 1, inox avec vis	10 x 10	KD R10 ED1 S	56,20
Design 1, inox V4A avec vis	10 x 10	KD R10 V4A D1 S	70,24
Design 1, inox poli brillant avec vis	10 x 10	KD R10 EPD1 S	60,25
Design 1, inox	10 x 10	KD R10 ED1	56,20
Design 1, inox, finition bronze poli à l'huile avec vis	10 x 10	KD R10 EOB D1 S	79,82
Design 1, inox avec vis	15 x 15	KD R15 ED1 S	76,64
Design 1, inox avec vis (rond)	15 x 15	KD R15 ED1 SR	76,64
Design 2, inox brossé	10 x 10	KD R10 ED2	102,20
Design 3, inox brossé	10 x 10	KD R10 ED3	102,20
Design 4, support à carreler	10 x 10	KD R10 ED4	56,20
Design 5, inox brossé	10 x 10	KD IF 10 EB D5	100,06
Design 6, inox brossé	10 x 10	KD IF 10 EB D6	100,06
Design 7, inox brossé	10 x 10	KD IF 10 EB D7	102,31

DN 50/70

Débit: 0,8 l/s, Hauteur de structure min.: 115 mm

Kit d'évacuation de sol



Art.-No.	€ / u.
KD BH 5070 GVB	102,73

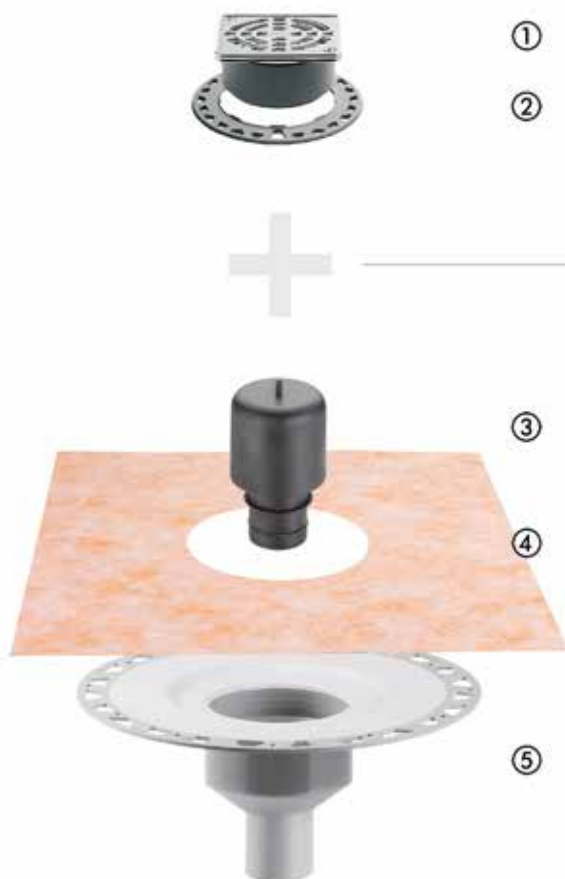
Kit grille/cadre	L x B (cm)	Art.-No.	€ / u.
Design 1, inox avec vis	15 x 15	KD R15 ED1 SB	68,37



Schlüter®-KERDI-DRAIN

Évacuation verticale et siphon

ÉVACUATION POUR UTILISATION EN INTÉRIEUR



Kit grille/cadre

- ① Grille en acier inox. avec cadre et rallonge de cadre
- ② Excentrique

Kit d'évacuation de sol

- ③ Siphon en deux parties
- ④ Collerette Schlüter-KERDI
- ⑤ Avaloir à platine

Nota :

Le kit d'évacuation au sol et le kit grille/cadre doivent faire l'objet de commandes séparées.

PARTICULARITÉS DES KITS GRILLE/CADRE



Les grilles disposent d'une rallonge de cadre (sauf KD R10 ED4) et d'un excentrique, qui permet le réglage en hauteur et l'alignement des joints. Ces grilles ne sont pas équipées d'un siphon. Le siphon est intégré dans le kit d'évacuation de sol. Toutes les grilles sont avec panier filtrant, sauf KD R10 ED4, KD R15 ED1 S, KD R15 ED1 SB et KD R15 ED1 SR.



DESIGN DES GRILLES



Design 1
CLASSIC



Design 1
CLASSIC
ROUND



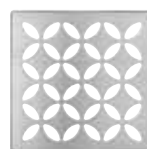
Design 2
TRAPEZOID



Design 3
SQUARE



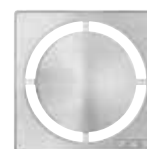
Design 4
TILE



Design 5
FLORAL



Design 6
CURVE



Design 7
PURE

DN 50

Débit: 0,6 l/s

Kit d'évacuation de sol



Art.-No.	€ / u.
KD BV 50 GV	71,53

Kit grille/cadre	L x B (cm)	Art.-No.	€ / u.
Design 1, inox avec vis	10 x 10	KD R10 ED1 S	56,20
Design 1, inox V4A avec vis	10 x 10	KD R10 V4A D1 S	70,24
Design 1, inox poli brillant avec vis	10 x 10	KD R10 EPD1 S	60,25
Design 1, inox	10 x 10	KD R10 ED1	56,20
Design 1, inox, finition bronze poli à l'huile avec vis	10 x 10	KD R10 EOB D1 S	79,82
Design 1, inox avec vis	15 x 15	KD R15 ED1 S	76,64
Design 1, inox avec vis (rond)	15 x 15	KD R15 ED1 SR	76,64
Design 2, inox brossé	10 x 10	KD R10 ED2	102,20
Design 3, inox brossé	10 x 10	KD R10 ED3	102,20
Design 4, support à carreler	10 x 10	KD R10 ED4	56,20
Design 5, inox brossé	10 x 10	KD IF 10 EB D5	100,06
Design 6, inox brossé	10 x 10	KD IF 10 EB D6	100,06
Design 7, inox brossé	10 x 10	KD IF 10 EB D7	102,31

DN 50

Débit: 0,6 l/s

Kit d'évacuation de sol



Art.-No.	€ / u.
KD BV 50 GVB	102,73

Kit grille/cadre	L x B (cm)	Art.-No.	€ / u.
Design 1, inox avec vis	10 x 10	KD R10 ED1 S	56,20
Design 1, inox V4A avec vis	10 x 10	KD R10 V4A D1 S	70,24
Design 1, inox poli brillant avec vis	10 x 10	KD R10 EPD1 S	60,25
Design 1, inox	10 x 10	KD R10 ED1	56,20
Design 1, inox, finition bronze poli à l'huile avec vis	10 x 10	KD R10 EOB D1 S	79,82
Design 2, inox brossé	10 x 10	KD R10 ED2	102,20
Design 3, inox brossé	10 x 10	KD R10 ED3	102,20
Design 4, support à carreler	10 x 10	KD R10 ED4	56,20
Design 5, inox brossé	10 x 10	KD IF 10 EB D5	100,06
Design 6, inox brossé	10 x 10	KD IF 10 EB D6	100,06
Design 7, inox brossé	10 x 10	KD IF 10 EB D7	102,31

DN 50

Débit: 1,8 l/s

Kit d'évacuation de sol



Art.-No.	€ / u.
KD BAV 50 GVB	109,21

Kit grille/cadre	L x B (cm)	Art.-No.	€ / u.
Design 1, inox avec vis	15 x 15	KD R15 ED1 SB	68,37



Schlüter®-KERDI-DRAIN

Évacuation verticale et siphon

ÉVACUATION POUR UTILISATION EN INTÉRIEUR

DN 50

Débit: 0,6 l/s

Kit d'évacuation de sol



Art.-No.	€ / u.
KD BV 50	53,63

+	Kit grille/cadre avec siphon	L x B (cm)	Art.-No.	€ / u.
	Design 1, inox avec vis	10 x 10	KD R10 ED1 SGV	65,77
	Design 1, inox V4A avec vis	10 x 10	KD R10 V4A D1 SGV	79,82
	Design 1, inox poli brillant avec vis	10 x 10	KD R10 EPD1 SGV	70,52
	Design 1, inox	10 x 10	KD R10 ED1 GV	65,77
	Design 1, inox, finition bronze poli à l'huile avec vis	10 x 10	KD R10 EOB D1 SGV	89,41
	Design 2, inox brossé	10 x 10	KD R10 ED2 GV	111,78
	Design 3, inox brossé	10 x 10	KD R10 ED3 GV	111,78
	Design 4, support à carreler	10 x 10	KD R10 ED4 GV	65,77
	Design 5, inox brossé	10 x 10	KD IF 10 EB D5 GV	110,14
	Design 6, inox brossé	10 x 10	KD IF 10 EB D6 GV	110,14
	Design 7, inox brossé	10 x 10	KD IF 10 EB D7 GV	112,36

DN 70

Débit: 0,6 l/s

Kit d'évacuation de sol



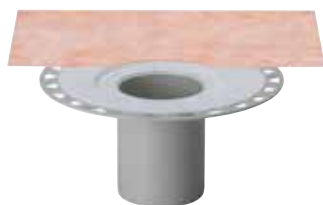
Art.-No.	€ / u.
KD BV 70	53,63

+	Kit grille/cadre avec siphon	L x B (cm)	Art.-No.	€ / u.
	Design 1, inox avec vis	10 x 10	KD R10 ED1 SGV	65,77
	Design 1, inox V4A avec vis	10 x 10	KD R10 V4A D1 SGV	79,82
	Design 1, inox poli brillant avec vis	10 x 10	KD R10 EPD1 SGV	70,52
	Design 1, inox	10 x 10	KD R10 ED1 GV	65,77
	Design 1, inox, finition bronze poli à l'huile avec vis	10 x 10	KD R10 EOB D1 SGV	89,41
	Design 2, inox brossé	10 x 10	KD R10 ED2 GV	111,78
	Design 3, inox brossé	10 x 10	KD R10 ED3 GV	111,78
	Design 4, support à carreler	10 x 10	KD R10 ED4 GV	65,77
	Design 5, inox brossé	10 x 10	KD IF 10 EB D5 GV	110,14
	Design 6, inox brossé	10 x 10	KD IF 10 EB D6 GV	110,14
	Design 7, inox brossé	10 x 10	KD IF 10 EB D7 GV	112,36

DN 100

Débit: 0,6 l/s

Kit d'évacuation de sol



Kit grille/cadre avec siphon	L x B (cm)	Art.-No.	€ / u.
Design 1, inox avec vis	10 x 10	KD R10 ED1 SGV	65,77
Design 1, inox V4A avec vis	10 x 10	KD R10 V4A D1 SGV	79,82
Design 1, inox poli brillant avec vis	10 x 10	KD R10 EPD1 SGV	70,52
Design 1, inox	10 x 10	KD R10 ED1 GV	65,77
Design 1, inox, finition bronze poli à l'huile avec vis	10 x 10	KD R10 EOB D1 SGV	89,41
Design 2, inox brossé	10 x 10	KD R10 ED2 GV	111,78
Design 3, inox brossé	10 x 10	KD R10 ED3 GV	111,78
Design 4, support à carreler	10 x 10	KD R10 ED4 GV	65,77
Design 5, inox brossé	10 x 10	KD IF 10 EB D5 GV	110,14
Design 6, inox brossé	10 x 10	KD IF 10 EB D6 GV	110,14
Design 7, inox brossé	10 x 10	KD IF 10 EB D7 GV	112,36

Art.-No.	€ / u.
KD BV 100	53,63

PARTICULARITÉS DES KITS GRILLE/CADRE

Les grilles sont équipées d'un siphon et d'un joint en accordéon.

DESIGN DES GRILLESDesign 1
CLASSICDesign 1
CLASSIC
ROUNDDesign 2
TRAPEZOIDDesign 3
SQUAREDesign 4
TILEDesign 5
FLORALDesign 6
CURVEDesign 7
PURE



Schlüter®-KERDI-DRAIN

Évacuation horizontale sans siphon

ÉVACUATION POUR UNE UTILISATION EN EXTÉRIEUR



①
②

Kit grille/cadre

- ① Grille en acier inox. avec cadre et rallonge de cadre
- ② Excentrique



③

Kit d'évacuation de sol

- ③ Colleterie Schlüter-KERDI
- ④ Avaloir à platine
- ⑤ Crapaudine
- ⑥ Colleterie de drainage Schlüter-TROBA-PLUS 8
- ⑦ Collet en acier inox.
- ⑧ Évacuation avec raccord d'étanchéité



④



⑤



⑥



⑦



⑧

Nota :

Le kit d'évacuation au sol et le kit grille/cadre doivent faire l'objet de commandes séparées.

PARTICULARITÉS DES KITS GRILLE/CADRE



Les grilles disposent d'une rallonge de cadre (sauf KD R10 ED4) et d'un excentrique, qui permet le réglage en hauteur et l'alignement des joints. Ces grilles ne sont pas équipées d'un siphon. Toutes les grilles sont avec panier filtrant, sauf KD R10 ED4, KD R15 ED1 S, KD R15 ED1 SB et KD R15 ED1 SR.



DESIGN DES GRILLES



Design 1
CLASSIC



Design 1
CLASSIC
ROUND



Design 2
TRAPEZOID



Design 3
SQUARE



Design 4
TILE

DN 50

Kit d'évacuation de sol



Art.-No.

€/ u.

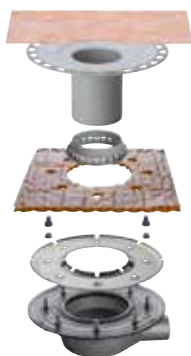
KD BH 50 B

99,87

Kit grille/cadre	L x B (cm)	Art.-No.	€/ u.
Design 1, inox avec vis	10 x 10	KD R10 ED1 S	56,20
Design 1, inox V4A avec vis	10 x 10	KD R10 V4A D1 S	70,24
Design 1, inox	10 x 10	KD R10 ED1	56,20
Design 1, inox, finition bronze poli à l'huile avec vis	10 x 10	KD R10 EOB D1 S	79,82
Design 1, inox avec vis	15 x 15	KD R15 ED1 S	76,64
Design 1, inox avec vis (rond)	15 x 15	KD R15 ED1 SR	76,64
Design 2, inox brossé	10 x 10	KD R10 ED2	102,20
Design 3, inox brossé	10 x 10	KD R10 ED3	102,20
Design 4, support à carreler	10 x 10	KD R10 ED4	56,20

DN 50

Kit d'évacuation de sol



Art.-No.

€/ u.

KD BH 50 MSBB

194,99

Kit grille/cadre	L x B (cm)	Art.-No.	€/ u.
Design 1, inox avec vis	10 x 10	KD R10 ED1 S	56,20
Design 1, inox V4A avec vis	10 x 10	KD R10 V4A D1 S	70,24
Design 1, inox	10 x 10	KD R10 ED1	56,20
Design 1, inox, finition bronze poli à l'huile avec vis	10 x 10	KD R10 EOB D1 S	79,82
Design 1, inox avec vis	15 x 15	KD R15 ED1 S	76,64
Design 1, inox avec vis (rond)	15 x 15	KD R15 ED1 SR	76,64
Design 2, inox brossé	10 x 10	KD R10 ED2	102,20
Design 3, inox brossé	10 x 10	KD R10 ED3	102,20
Design 4, support à carreler	10 x 10	KD R10 ED4	56,20

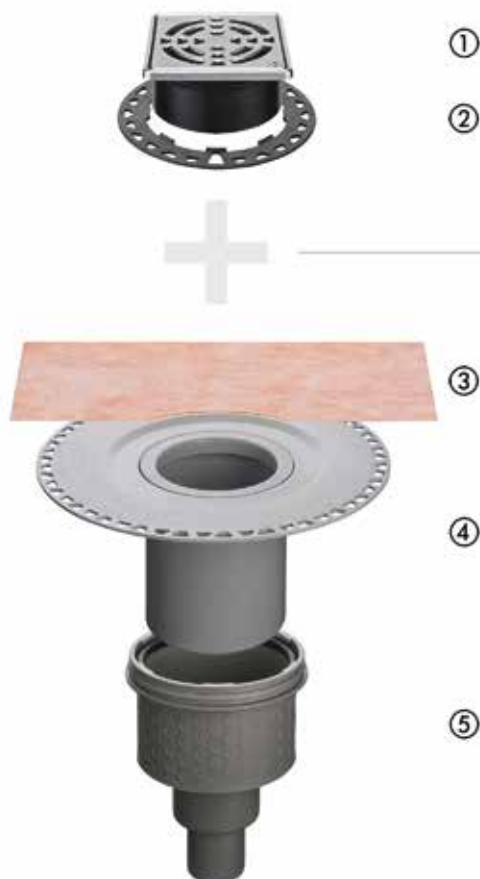
Nota : Avec raccord d'étanchéité pour bandes bitumineuses ou PVC.



Schlüter®-KERDI-DRAIN

Évacuation verticale sans siphon

ÉVACUATION POUR UNE UTILISATION EN EXTÉRIEUR



Kit grille/cadre

- ① Grille en acier inox. avec cadre et rallonge de cadre
- ② Excentrique

Kit d'évacuation de sol

- ③ Colerette Schlüter-KERDI
- ④ Avaloir à platine
- ⑤ Écoulement sans siphon

Nota :

Le kit d'évacuation au sol et le kit grille/cadre doivent faire l'objet de commandes séparées.

PARTICULARITÉS DES KITS GRILLE/CADRE



Les grilles disposent d'une rallonge de cadre (sauf KD R10 ED4) et d'un excentrique, qui permet le réglage en hauteur et l'alignement des joints. Ces grilles ne sont pas équipées d'un siphon. Toutes les grilles sont avec panier filtrant, sauf KD R10 ED4, KD R15 ED1 S, KD R15 ED1 SB et KD R15 ED1 SR.



DESIGN DES GRILLES



Design 1
CLASSIC



Design 1
CLASSIC
ROUND



Design 2
TRAPEZOID



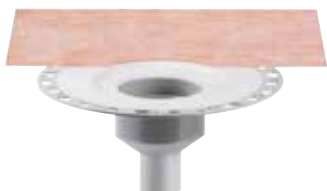
Design 3
SQUARE



Design 4
TILE

DN 50

Kit d'évacuation de sol



Art.-No.	€ / u.
KD BV 50	53,63

Kit grille/cadre	L x B (cm)	Art.-No.	€ / u.
Design 1, inox avec vis	10 x 10	KD R10 ED1 S	56,20
Design 1, inox V4A avec vis	10 x 10	KD R10 V4A D1 S	70,24
Design 1, inox	10 x 10	KD R10 ED1	56,20
Design 1, inox, finition bronze poli à l'huile avec vis	10 x 10	KD R10 EOB D1 S	79,82
Design 1, inox avec vis	15 x 15	KD R15 ED1 S	76,64
Design 1, inox avec vis (rond)	15 x 15	KD R15 ED1 SR	76,64
Design 2, inox brossé	10 x 10	KD R10 ED2	102,20
Design 3, inox brossé	10 x 10	KD R10 ED3	102,20
Design 4, support à carreler	10 x 10	KD R10 ED4	56,20

DN 70

Kit d'évacuation de sol

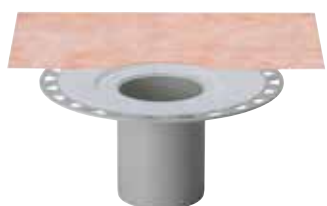


Art.-No.	€ / u.
KD BV 70	53,63

Kit grille/cadre	L x B (cm)	Art.-No.	€ / u.
Design 1, inox avec vis	10 x 10	KD R10 ED1 S	56,20
Design 1, inox V4A avec vis	10 x 10	KD R10 V4A D1 S	70,24
Design 1, inox	10 x 10	KD R10 ED1	56,20
Design 1, inox, finition bronze poli à l'huile avec vis	10 x 10	KD R10 EOB D1 S	79,82
Design 1, inox avec vis	15 x 15	KD R15 ED1 S	76,64
Design 1, inox avec vis (rond)	15 x 15	KD R15 ED1 SR	76,64
Design 2, inox brossé	10 x 10	KD R10 ED2	102,20
Design 3, inox brossé	10 x 10	KD R10 ED3	102,20
Design 4, support à carreler	10 x 10	KD R10 ED4	56,20

DN 100

Kit d'évacuation de sol



Art.-No.	€ / u.
KD BV 100	53,63

Kit grille/cadre	L x B (cm)	Art.-No.	€ / u.
Design 1, inox avec vis	10 x 10	KD R10 ED1 S	56,20
Design 1, inox V4A avec vis	10 x 10	KD R10 V4A D1 S	70,24
Design 1, inox	10 x 10	KD R10 ED1	56,20
Design 1, inox, finition bronze poli à l'huile avec vis	10 x 10	KD R10 EOB D1 S	79,82
Design 1, inox avec vis	15 x 15	KD R15 ED1 S	76,64
Design 1, inox avec vis (rond)	15 x 15	KD R15 ED1 SR	76,64
Design 2, inox brossé	10 x 10	KD R10 ED2	102,20
Design 3, inox brossé	10 x 10	KD R10 ED3	102,20
Design 4, support à carreler	10 x 10	KD R10 ED4	56,20



Schlüter®-KERDI-DRAIN

Évacuation verticale sans siphon

ÉVACUATION POUR UNE UTILISATION EN EXTÉRIEUR

DN 50

Kit d'évacuation de sol



Art.-No.

KD BV 50 B

€ / u.

99,87

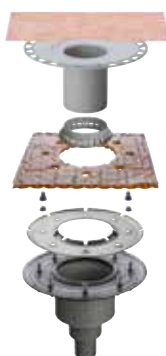


Kit grille/cadre

	L x B (cm)	Art.-No.	€ / u.
Design 1, inox avec vis	10 x 10	KD R10 ED1 S	56,20
Design 1, inox V4A avec vis	10 x 10	KD R10 V4A D1 S	70,24
Design 1, inox	10 x 10	KD R10 ED1	56,20
Design 1, inox, finition bronze poli à l'huile avec vis	10 x 10	KD R10 EOB D1 S	79,82
Design 1, inox avec vis	15 x 15	KD R15 ED1 S	76,64
Design 1, inox avec vis (rond)	15 x 15	KD R15 ED1 SR	76,64
Design 2, inox brossé	10 x 10	KD R10 ED2	102,20
Design 3, inox brossé	10 x 10	KD R10 ED3	102,20
Design 4, support à carreler	10 x 10	KD R10 ED4	56,20

DN 50

Kit d'évacuation de sol



Art.-No.

KD BV 50 MSBB

€ / u.

194,99



Kit grille/cadre

	L x B (cm)	Art.-No.	€ / u.
Design 1, inox avec vis	10 x 10	KD R10 ED1 S	56,20
Design 1, inox V4A avec vis	10 x 10	KD R10 V4A D1 S	70,24
Design 1, inox	10 x 10	KD R10 ED1	56,20
Design 1, inox, finition bronze poli à l'huile avec vis	10 x 10	KD R10 EOB D1 S	79,82
Design 1, inox avec vis	15 x 15	KD R15 ED1 S	76,64
Design 1, inox avec vis (rond)	15 x 15	KD R15 ED1 SR	76,64
Design 2, inox brossé	10 x 10	KD R10 ED2	102,20
Design 3, inox brossé	10 x 10	KD R10 ED3	102,20
Design 4, support à carreler	10 x 10	KD R10 ED4	56,20

Nota : Avec raccord d'étanchéité pour bandes bitumineuses ou PVC.

DESIGN DES GRILLES



Design 1
CLASSIC



Design 1
CLASSIC
ROUND



Design 2
TRAPEZOID



Design 3
SQUARE



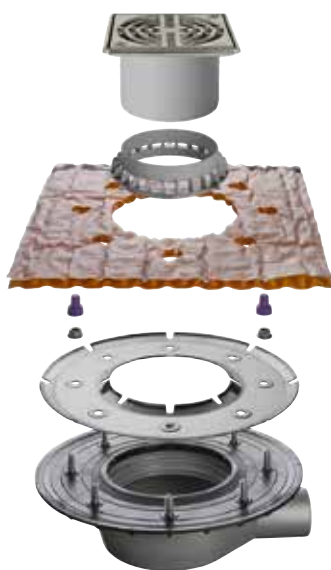
Design 4
TILE

Schlüter®-KERDI-DRAIN

Kits complets – pour une pose libre en extérieur

ÉVACUATION | SORTIE HORIZONTALE

DN 50



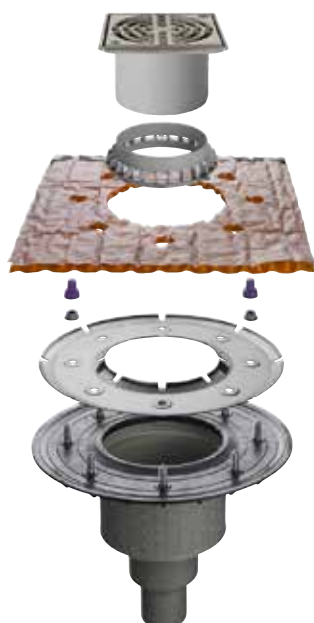
Contenu du kit :

- Kit d'évacuation de sol
- Raccord d'étanchéité pour bandes bitumineuses ou PVC
- Avaloir pour pose libre de grille
- Grille, Design 1 (KD R15 ED1 S), acier inox. avec vis

Art.-No.	€ / u.
KD BH 50 ASLVB	225,93

ÉVACUATION | SORTIE VERTICALE

DN 50



Contenu du kit :

- Kit d'évacuation de sol
- Raccord d'étanchéité pour bandes bitumineuses ou PVC
- Avaloir pour pose libre de grille
- Grille, Design 1 (KD R15 ED1 S), acier inox. avec vis

Art.-No.	€ / u.
KD BV 50 ASLVB	225,93



SIPHON AVEC CLAPET ANTI-RETOUR

Schlüter®-KERDI-DRAIN-R 10 GT



Schlüter-KERDI-DRAIN-R 10 GT est un siphon avec un clapet anti-retour en silicone pour tous les kits grille/cadre Schlüter-KERDI-DRAIN de 10 x 10 cm. Il peut être mis en œuvre dans les évacuations servant peu souvent (par exemple dans les résidences secondaires), en remplacement d'un siphon traditionnel. Il bloque les remontées d'odeurs dues à l'évaporation de l'eau du corps de siphon. Son débit de 0,4 l/s minimum permet sa mise en œuvre dans tout type d'installation, y compris dans des résidences principales.

(Fiche produit 8.2)

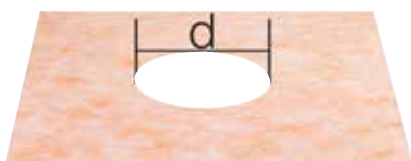
Schlüter®-KERDI-DRAIN-R 10 GT

Siphon avec clapet anti-retour

Art.-No.	€ / u.	P (u.)
KD R10 GT	30,20	10

COLLERETTE D'ÉTANCHÉITÉ

Schlüter®-KERDI-DRAIN-KD 10



KD 10 M



KD 10 MO 900 1800

Schlüter®-KERDI-DRAIN-DR

Collerette KERDI (Ø = 17,5 cm)

L x B (cm)	Art.-No.	€ / u.	P (u.)
45 x 45	KD 10 M	5,96	10
90 x 90	KD 10 M 900	24,08	10
100 x 100	KD 10 M 1000	26,83	10
120 x 120	KD 10 M 1200	33,16	10
150 x 150	KD 10 M 1500	44,77	10

Schlüter®-KERDI-DRAIN-DR

Collerette KERDI, évacuation excentrée

L x B (cm)	Art.-No.	€ / u.	P (u.)
180 x 90	KD 10 MO 900 1800	41,19	10

ÉVACUATION DE SOL

Schlüter®-KERDI-DRAIN-BASE



Schlüter-KERDI-DRAIN-BASE est un corps de siphon utilisable avec l'avaloir KD BV 100 et avec un kit grille/cadre avec siphon et joint en accordéon.

(Fiche produit 8.2)

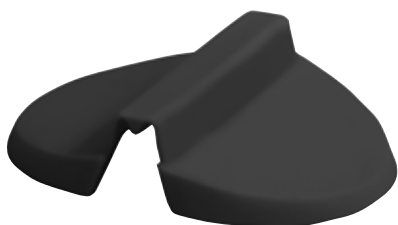
Schlüter®-KERDI-DRAIN-BASE

Évacuation de sol

DN (mm)	Art.-No.	€ / u.	P (u.)
40	KD 10 BH 40/50	35,13	10

SIPHON AVEC CLAPET ANTI-RETOUR

Schlüter®-KERDI-LINE-GTM



Schlüter-KERDI-LINE-GTM est un clapet anti-retour de remplacement en silicone pour les siphons Schlüter-KERDI-DRAIN-R10 GT et Schlüter-KERDI-LINE-GTO.
(Fiche produit 8.7)

Schlüter®-KERDI-LINE-GTM

Clapet anti-retour de remplacement

Art.-No.	€ / u.	P (u.)
KL GTM	15,09	10

INSERT PARE-FEU

Schlüter®-KERDI-DRAIN-BS



Schlüter-KERDI-DRAIN-BS est un insert pare-feu qui permet, en liaison avec le kit d'évacuation au sol vertical KD BAV 50 GVB, d'éviter la propagation du feu entre les étages.
(Fiche produit 8.2)

Schlüter®-KERDI-DRAIN-BS

Insert pare-feu

Art.-No.	€ / u.	P (u.)
KD BS	124,85	10

INSERT PARE-FEU

Schlüter®-KERDI-DRAIN-ZBS



Schlüter-KERDI-DRAIN-ZBS est un joint de traversée avec fonction de protection anti-feu. En lieu et place d'un comblement au mortier, il peut être combiné au kit d'évacuation au sol vertical KD BAV 50 GVB ou au kit de caniveau avec évacuation verticale KDV 50 G2 comme cloisonnement pare-feu pour les carottages (Ø 160 mm) et évite l'apparition de ponts phoniques. Ne fonctionne qu'en liaison avec l'insert pare-feu KD BS ou KL BS.
(Fiche produit 8.2)

Schlüter®-KERDI-DRAIN-ZBS

Joint de traversée avec fonction de protection anti-feu

Art.-No.	€ / u.	P (u.)
KD ZBS	148,79	10

PANIER FILTRANT

Schlüter®-KERDI-DRAIN-KD 10 SF



Schlüter-KERDI-DRAIN-KD 10 SF est un panier filtrant permettant de retenir les saletés et facilitant le nettoyage régulier des évacuations de sol.
(Fiche produit 8.2)

Schlüter®-KERDI-DRAIN-KD 10 SF

Pièce de rechange : panier filtrant

Art.-No.	€ / u.	P (u.)
KD 10 SF	10,88	10



GRILLE DE RÉNOVATION

Schlüter®-KERDI-DRAIN-R / -RL

Schlüter-KERDI-DRAIN-R/-RL sont des grilles de rénovation pour revêtements carrelés sur des évacuations de sol existantes.

(Fiche produit 8.2)

Schlüter®-KERDI-DRAIN-R

Grille de rénovation 15 x 15 cm

Art.-No.	€ / u.	P (u.)
KD 15 R	85,07	10

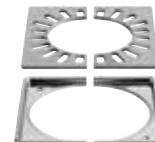


Grille d'écoulement pour rénovation.

Schlüter®-KERDI-DRAIN-RL

Grille de rénovation 15 x 15 cm avec orifice

Art.-No.	€ / u.	P (u.)
KD 15 RL	85,07	10



Grille d'écoulement pour rénovation et habillage des évacuations EP.

GRILLE DE REMPLACEMENT (SANS CADRE)

Schlüter®-KERDI-DRAIN

Grilles sans cadre pour remplacement sur des installations existantes.

(Fiche produit 8.2)

Schlüter®-KERDI-DRAIN grilles

Pièce de rechange :
grilles seules pour cadres standards

L x B (cm)	Art.-No.	€ / u.	P (u.)
10 x 10	KD GR 10 E D1 S	37,04	10
10 x 10	KD GR 10 V4A D1 S	51,08	10
10 x 10	KD GR 10 EP D1 S	40,93	10
10 x 10	KD GR 10 E D1	37,04	10
10 x 10	KD GR 10 E D2	83,04	10
10 x 10	KD GR 10 E D3	83,04	10
10 x 10	KD GR 10 E D4	37,04	10
15 x 15	KD GR 15 E D1 S	57,49	10
15 x 15	KD GR 15 E D1 SR	57,49	10

Schlüter®-KERDI-DRAIN-STYLE grilles

Pièce de rechange :
grilles seules pour cadres discrets

L x B (cm)	Art.-No.	€ / u.	P (u.)
10 x 10	KD GIF 10 EB D5	83,30	10
10 x 10	KD GIF 10 EB D6	83,30	10
10 x 10	KD GIF 10 EB D7	85,54	10

Nota :

les grilles de la série Schlüter-KERDI-DRAIN ne peuvent pas être mises en œuvre sur un cadre de la série Schlüter-KERDI-DRAIN-STYLE et inversement.

L x B = cm correspond à la taille du cadre



KD GR 10 E D1 S
CLASSIC



KD GR 10 V4A D1 S
CLASSIC



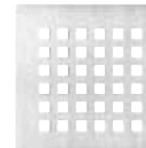
KD GR 10 EP D1 S
CLASSIC



KD GR 10 E D1
CLASSIC



KD GR 10 E D2
TRAPEZOID



KD GR 10 E D3
SQUARE



KD GR 10 E D4
TILE



KD GIF 10 EB D5
FLORAL



KD GIF 10 EB D6
CURVE



KD GIF 10 EB D7
PURE



KD GR 15 E D1 S
CLASSIC



KD GR 15 E D1 SR
CLASSIC ROUND

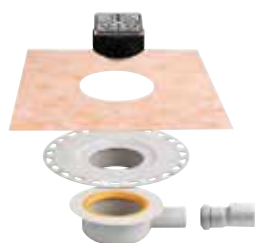
KIT D'ÉVACUATION POUR UNE UTILISATION EN INTÉRIEUR

Kits Schlüter®-KERDI-DRAIN

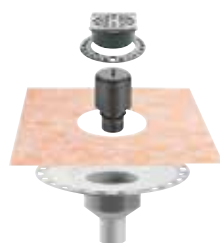


Les kits Schlüter-KERDI-DRAIN sont des kits complets pour la mise en place de systèmes d'évacuation de sol et leur raccordement aux étanchéités composites Schlüter-KERDI ou autres systèmes d'étanchéité utilisés à l'intérieur. Trois kits sont disponibles, chacun comprend un kit/grille cadre adapté (voir composition des kits ci-dessous).

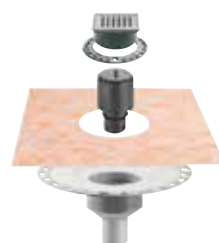
(Fiche produit 8.2)



KD 10H 40 GV ED1 S



KD 10V 50 GV ED1 S



KD 10V 50 GV ED3

Kit Schlüter®-KERDI-DRAIN

Kit d'évacuation avec sortie horizontale

Art.-No.	€ / Kit	PL (kit)
KD 10 H40 GV ED1 S	120,83	10

Kit d'évacuation avec sortie verticale

Art.-No.	€ / Kit	PL (kit)
KD 10 V50 GV ED1 S	119,10	10
KD 10 V50 GV ED3	155,36	10

Composition de KD 10 H40 GV ED1 S :

- avaloir à platine avec évacuation horizontale Schlüter-KERDI-DRAIN-BASE DN 40/50 (débit 0,4 l/s), hauteur de structure min. : 75 (70) mm
- Combinaison grille/cadre avec grille design CLASSIC en acier inox. avec vis, 10 x 10 cm
- grille avec siphon et joint en accordéon



Composition de KD 10 V50 GV ED1 S :

- avaloir à platine avec évacuation verticale Schlüter-KERDI-DRAIN DN 50 (débit 0,6 l/s)
- siphon intégré dans l'évacuation
- Combinaison grille/cadre avec grille design CLASSIC en acier inox. avec vis, 10 x 10 cm
- avec rallonge de cadre et excentrique permettant le réglage en hauteur et l'alignement des joints



Composition de KD 10 V50 GV ED3 :

- avaloir à platine avec évacuation verticale Schlüter-KERDI-DRAIN DN 50 (débit 0,6 l/s)
- siphon intégré dans l'évacuation
- Combinaison grille/cadre avec grille design SQUARE en acier inox. brossé, 10 x 10 cm
- avec rallonge de cadre et excentrique permettant le réglage en hauteur et l'alignement des joints





KIT D'ÉVACUATION POUR UNE UTILISATION EN INTÉRIEUR

Schlüter®-KERDI-SHOWER-SK/-SKB



Schlüter-KERDI-SHOWER-SK est un kit d'étanchéité pour douches à l'italienne. Il comprend la natte Schlüter-KERDI pour l'étanchéité des surfaces murales au niveau de la douche ainsi que des pièces de finition correspondantes pour les angles rentrants et les traversées de tuyaux. Le kit comprend par ailleurs de la bande Schlüter-KERDI-KEBA pour le pontage étanche des lés et pour les liaisons sol/murs ainsi que de la colle d'étanchéité Schlüter-KERDI-COLL-L pour le collage des bandes de pontage et des points singuliers. Le kit d'étanchéité Schlüter-KERDI-SHOWER-SKB comprend une évacuation de sol Schlüter-KERDI-DRAIN-BASE. Schlüter-KERDI-SHOWER-SK peut être utilisé pour des douches à l'italienne maçonnées ou réalisées avec les receveurs à carrelar Schlüter-KERDI-SHOWER-LT, -LTS, -T, -TS et -TT. (Fiche produit 8.6)

Schlüter®-KERDI-SHOWER-SK

Kit d'étanchéité

L x B (cm)	Art.-No.	€ / Kit	PL (kit)
90 x 90 / 100 x 100	KSS 5	182,01	9
120 x 120 / 150 x 150	KSS 10	317,47	9

Contenu de Schlüter-KERDI-SHOWER-SK (KSS 5) :

- 1 x Schlüter-KERDI-200, 1 m x 5 m
- 2 x Schlüter-KERDI-KERECK/FI
- 1 x Schlüter-KERDI-KEBA, 12,5 cm x 10 m
- 1 x Schlüter-KERDI-COLL-L, 1,85 kg
- 2 x Schlüter-KERDI-KM, Ø 150 mm

Contenu de Schlüter-KERDI-SHOWER-SK (KSS 10) :

- 1 x Schlüter-KERDI-200, 1 m x 10 m
- 2 x Schlüter-KERDI-KERECK/FI
- 1 x Schlüter-KERDI-KEBA, 12,5 cm x 12,5 m
- 1 x Schlüter-KERDI-COLL-L, 4,25 kg
- 2 x Schlüter-KERDI-KM, Ø 150 mm

Schlüter®-KERDI-SHOWER-SKB

Kit d'étanchéité avec évacuation de sol

L x B (cm)	Art.-No.	€ / Kit	PL (kit)
90 x 90 / 100 x 100	KSS 5 KD10 EH 40	309,74	9
120 x 120 / 150 x 150	KSS 10 KD10 EH 40	446,41	9

Contenu de Schlüter-KERDI-SHOWER-SKB (KSS 5 KD10 EH 40) :

- 1 x Schlüter-KERDI-200, 1 m x 5 m
- 2 x Schlüter-KERDI-KERECK/FI
- 1 x Schlüter-KERDI-KEBA, 12,5 cm x 10 m
- 1 x Schlüter-KERDI-COLL-L, 1,85 kg
- 2 x Schlüter-KERDI-KM, Ø 150 mm
- 1 kit Schlüter-KERDI-DRAIN-BASE comprenant : kit d'évacuation au sol « KD BH 40 » et kit grille/cadre « KD R10 ED1 SGV »

Contenu de Schlüter-KERDI-SHOWER-SKB (KSS 10 KD10 EH 40) :

- 1 x Schlüter-KERDI-200, 1 m x 10 m
- 2 x Schlüter-KERDI-KERECK/FI
- 1 x Schlüter-KERDI-KEBA, 12,5 cm x 12,5 m
- 1 x Schlüter-KERDI-COLL-L, 4,25 kg
- 2 x Schlüter-KERDI-KM, Ø 150 mm
- 1 kit Schlüter-KERDI-DRAIN-BASE comprenant : kit d'évacuation au sol « KD BH 40 » et kit grille/cadre « KD R10 ED1 SGV »

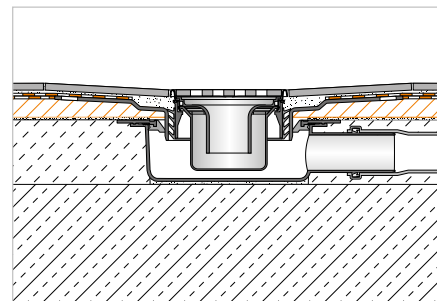
RECEVEUR AVEC PENTE

Schlüter®-KERDI-SHOWER-T



Schlüter-KERDI-SHOWER-T est un receveur avec pente en polystyrène résistant à la pression, recouvert d'une étanchéité Schlüter-KERDI collée en usine. Il permet la réalisation d'une pente adaptée en direction de l'évacuation positionnée au centre des douches à l'italienne. Il est prévu pour recevoir l'évacuation de sol Schlüter-KERDI-DRAIN. Le receveur est posé sur un support maçonné existant, dans lequel a déjà été mise en place l'évacuation de sol KERDI-DRAIN. Les panneaux peuvent être aisément redécoupés à l'aide d'un cutter grâce aux rainures prédéfinies, tout en conservant le même rapport longueur/largeur.

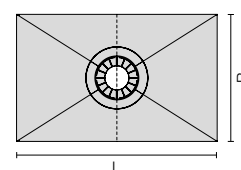
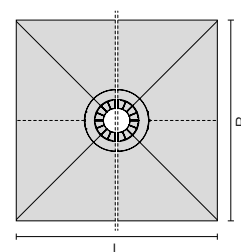
(Fiche produit 8.6)



Schlüter®-KERDI-SHOWER-T

Receveur avec pente recouvert de Schlüter-KERDI, pour siphon Schlüter-KERDI-DRAIN, pour évacuation au centre de la douche

L x B (cm)	H (mm)	Art.-No.	€ / u.	P (u.)
152 x 152	30	KST 1525	226,80	10
183 x 183	32	KST 1830	243,00	10
152 x 96	29	KST 965 / 1525	183,60	10
152 x 122	28	KST 1220 / 1525	189,00	10
183 x 122	32	KST 1220 / 1830	205,20	10



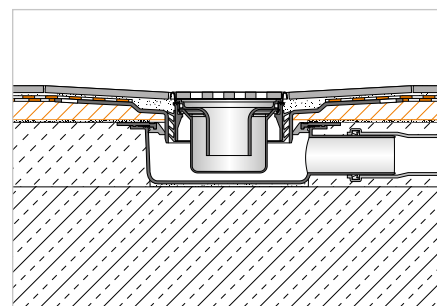
RECEVEUR AVEC PENTE

Schlüter®-KERDI-SHOWER-TS



Schlüter-KERDI-SHOWER-TS est un receveur avec pente en polystyrène résistant à la pression, recouvert d'une étanchéité Schlüter-KERDI collée en usine. Il permet la réalisation d'une pente adaptée en direction de l'évacuation excentrée des douches à l'italienne. Il est prévu pour recevoir l'évacuation de sol Schlüter-KERDI-DRAIN. Le receveur est posé sur un support maçonné existant, dans lequel a déjà été mise en place l'évacuation de sol KERDI-DRAIN. Les panneaux peuvent être aisément redécoupés à l'aide d'un cutter grâce aux rainures prédéfinies, tout en conservant le même rapport longueur/largeur.

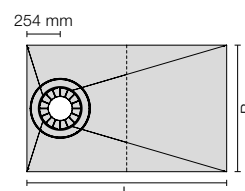
(Fiche produit 8.6)



Schlüter®-KERDI-SHOWER-TS

Receveur avec pente recouvert de Schlüter-KERDI, pour siphon Schlüter-KERDI-DRAIN, pour évacuation excentrée

L x B (cm)	H (mm)	Art.-No.	€ / u.	P (u.)
152 x 96	28	KST 965 / 1525 S	167,40	10





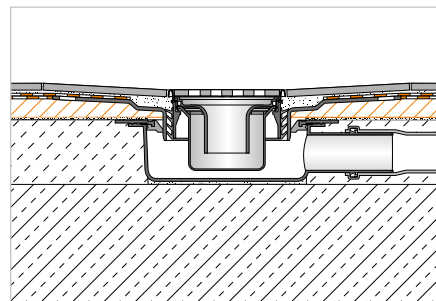
RECEVEUR AVEC PENTE

Schlüter®-KERDI-SHOWER-TT



Schlüter-KERDI-SHOWER-TT est un receveur avec pente en polystyrène résistant à la pression, recouvert d'une étanchéité Schlüter-KERDI collée en usine. Il permet la réalisation d'une pente adaptée en direction de l'évacuation excentrée ou positionnée au centre des douches à l'italienne. Il est prévu pour recevoir le siphon de sol Schlüter-KERDI-DRAIN. Le receveur est posé sur un support maçonné existant, dans lequel a déjà été mise en place l'évacuation de sol KERDI-DRAIN. Les panneaux peuvent être aisément redécoupés à l'aide d'un cutter grâce aux rainures prédéfinies, tout en conservant le même rapport longueur/largeur.

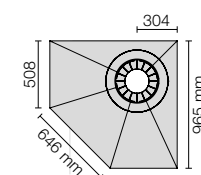
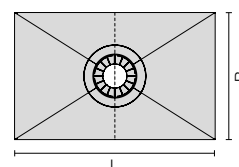
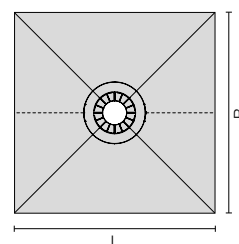
(Fiche produit 8.6)



Schlüter®-KERDI-SHOWER-TT

Receveur avec pente recouvert de Schlüter-KERDI, pour siphon Schlüter-KERDI-DRAIN, pour évacuation au centre de la douche

L x B (cm)	H (mm)	Art.-No.	€ / u.	P (u.)
91 x 91	22	KST 915 BF	118,80	10
101 x 101	23	KST 1015 BF	129,60	10
122 x 122	25	KST 1220 BF	167,40	10
96 x 81	23	KST 965 / 810 BF	189,00	10
122 x 91	25	KST 915 / 1220 BF	199,80	10



Schlüter®-KERDI-SHOWER-TT

Receveur avec pente recouvert de Schlüter-KERDI, pour siphon Schlüter-KERDI-DRAIN, pour évacuation excentrée

L x B (cm)	H (mm)	Art.-No.	€ / u.	P (u.)
96 x 96	26	KST 965 NA / BF	189,00	10

Schlüter®-SHELF

Design et facile à mettre en œuvre

Schlüter-SHELF allie fonctionnalité et décoration. Avec son élégant design de la série STYLE, la tablette permet de créer partout une surface de rangement pratique – lors de la pose de carreaux ou sur des surfaces déjà carrelées.

- ✓ **Acier inoxydable brossé ou aluminium finition structurée TRENDLINE**
- ✓ **Cinq designs esthétiques et modernes : FLORAL, CURVE, PURE, SQUARE et WAVE**
- ✓ **Disponibles en cinq formats**



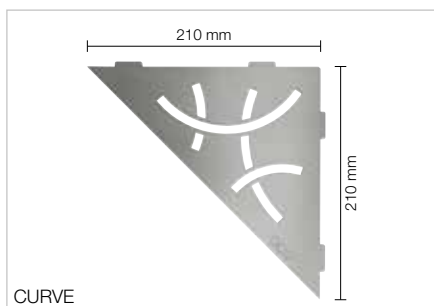
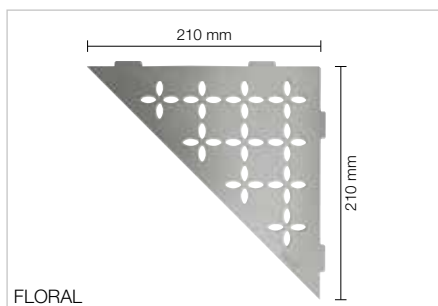
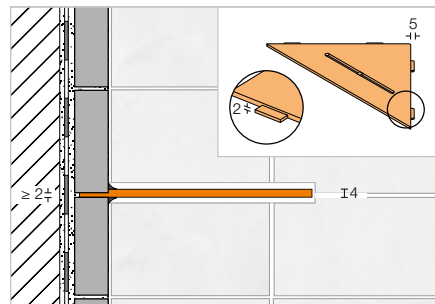


TABLETTE

Schlüter®-SHELF-E-S1



Schlüter-SHELF-E-S1 sont des tablettes d'angle de forme triangulaire. Elles existent en design FLORAL, CURVE, PURE, SQUARE et WAVE, en acier inoxydable brossé ou en aluminium finition structurée TRENDLINE. Les tablettes peuvent être mises en œuvre lors de la pose des carreaux ou insérées ultérieurement dans les joints de murs déjà carrelés, grâce aux languettes de fixation de seulement 2 mm d'épaisseur. SHELF-E-S1 convient idéalement comme tablettes dans la douche, mais peuvent aussi être utilisées dans des crédences de cuisines, par exemple. (Fiche produit 17.1)



Schlüter®-SHELF-E-S1

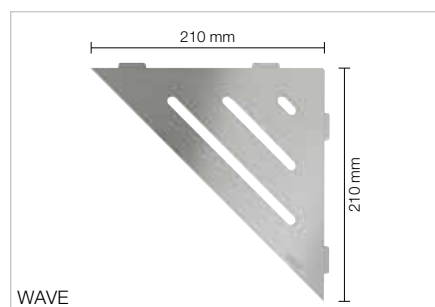
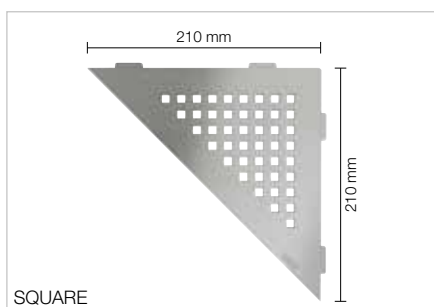
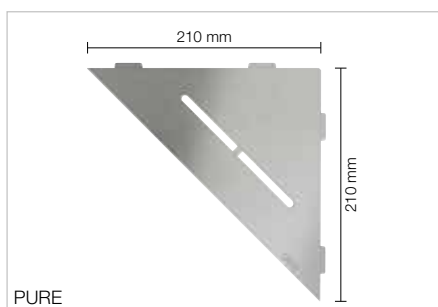
Tablette, design FLORAL, acier inox. brossé

Art.-No.	€ / u.	P (u.)
SE S1 D5 EB	95,53	10

Schlüter®-SHELF-E-S1

Tablette, design CURVE, acier inox. brossé

Art.-No.	€ / u.	P (u.)
SE S1 D6 EB	89,91	10



Schlüter®-SHELF-E-S1

Tablette, design PURE, acier inox. brossé

Art.-No.	€ / u.	P (u.)
SE S1 D7 EB	94,35	10

Schlüter®-SHELF-E-S1

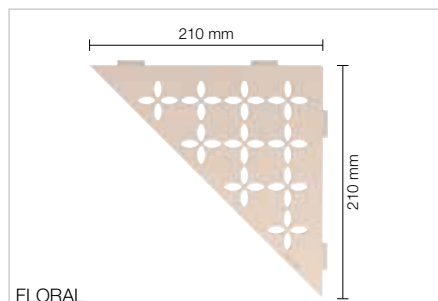
Tablette, design SQUARE, acier inox. brossé

Art.-No.	€ / u.	P (u.)
SE S1 D3 EB	94,35	10

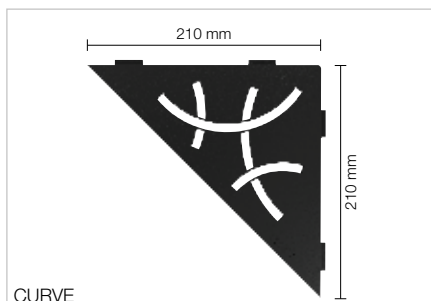
Schlüter®-SHELF-E-S1

Tablette, design WAVE, acier inox. brossé

Art.-No.	€ / u.	P (u.)
SE S1 D10 EB	94,35	10



FLORAL



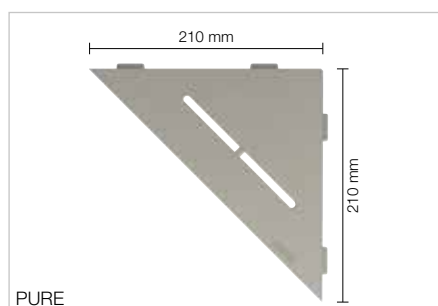
CURVE

Schlüter®-SHELF-E-S1Tablette, design FLORAL,
alu. finition structurée

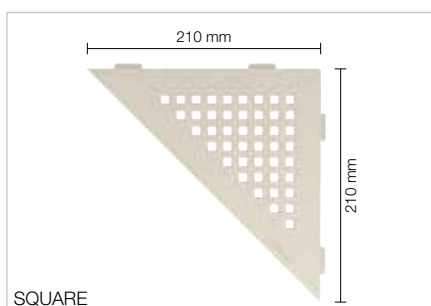
Art.-No.	€ / u.	P (u.)
SE S1 D5 MBW	69,98	10
SE S1 D5 MGS	69,98	10
SE S1 D5 TSBG	76,55	10
SE S1 D5 TSC	76,55	10
SE S1 D5 TSDA	76,55	10
SE S1 D5 TSI	76,55	10
SE S1 D5 TSOB	76,55	10
SE S1 D5 TSSG	76,55	10

Schlüter®-SHELF-E-S1Tablette, design CURVE,
alu. finition structurée

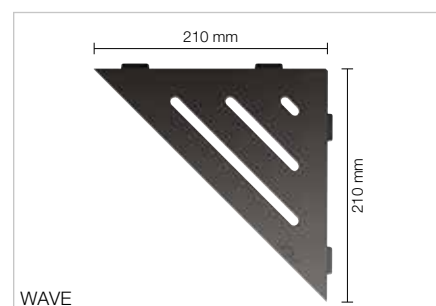
Art.-No.	€ / u.	P (u.)
SE S1 D6 MBW	64,52	10
SE S1 D6 MGS	64,52	10
SE S1 D6 TSBG	71,07	10
SE S1 D6 TSC	71,07	10
SE S1 D6 TSDA	71,07	10
SE S1 D6 TSI	71,07	10
SE S1 D6 TSOB	71,07	10
SE S1 D6 TSSG	71,07	10



PURE



SQUARE



WAVE

Schlüter®-SHELF-E-S1 ★Tablette, design PURE,
alu. finition structurée

Art.-No.	€ / u.	P (u.)
SE S1 D7 MBW	71,82	10
SE S1 D7 MGS	71,82	10
SE S1 D7 TSBG	77,22	10
SE S1 D7 TSC	77,22	10
SE S1 D7 TSDA	77,22	10
SE S1 D7 TSI	77,22	10
SE S1 D7 TSOB	77,22	10
SE S1 D7 TSSG	77,22	10

Schlüter®-SHELF-E-S1 ★Tablette, design SQUARE,
alu. finition structurée

Art.-No.	€ / u.	P (u.)
SE S1 D3 MBW	71,82	10
SE S1 D3 MGS	71,82	10
SE S1 D3 TSBG	77,22	10
SE S1 D3 TSC	77,22	10
SE S1 D3 TSDA	77,22	10
SE S1 D3 TSI	77,22	10
SE S1 D3 TSOB	77,22	10
SE S1 D3 TSSG	77,22	10

Schlüter®-SHELF-E-S1 ★Tablette, design WAVE,
alu. finition structurée

Art.-No.	€ / u.	P (u.)
SE S1 D10 MBW	71,82	10
SE S1 D10 MGS	71,82	10
SE S1 D10 TSBG	77,22	10
SE S1 D10 TSC	77,22	10
SE S1 D10 TSDA	77,22	10
SE S1 D10 TSI	77,22	10
SE S1 D10 TSOB	77,22	10
SE S1 D10 TSSG	77,22	10

FINITIONS / COULEURS DISPONIBLES



Vous trouverez un récapitulatif des finitions et des couleurs à partir de la page 293.

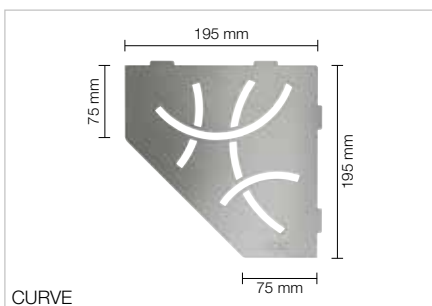
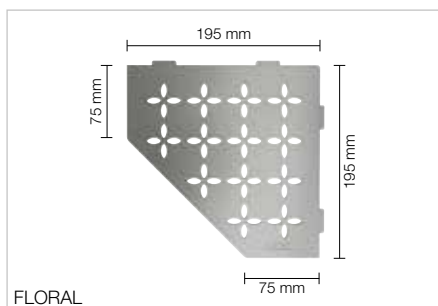
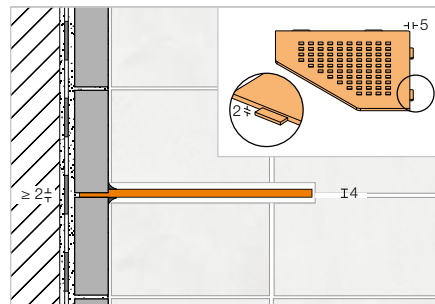


TABLETTE

Schlüter®-SHELF-E-S2



Schlüter-SHELF-E-S2 sont des tablettes d'angle de forme pentagonale. Elles existent en design FLORAL, CURVE, PURE, SQUARE et WAVE, en acier inoxydable brossé ou en aluminium finition structurée TRENDLINE. Les tablettes peuvent être mises en œuvre lors de la pose des carreaux ou insérées ultérieurement dans les joints de murs déjà carrelés, grâce aux languettes de fixation de seulement 2 mm d'épaisseur. SHELF-E-S2 convient idéalement comme tablettes dans la douche, mais peuvent aussi être utilisées dans des crédences de cuisines, par exemple. (Fiche produit 17.1)



Schlüter®-SHELF-E-S2

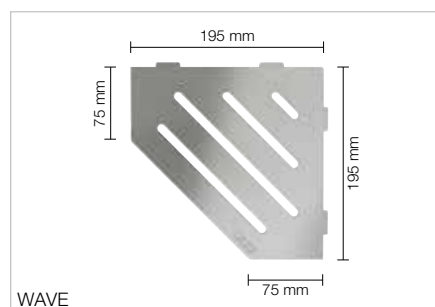
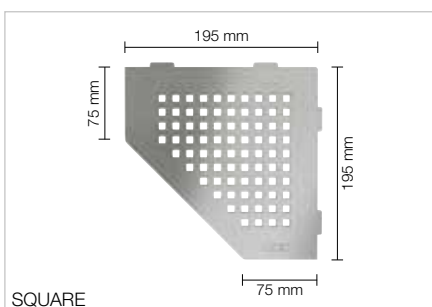
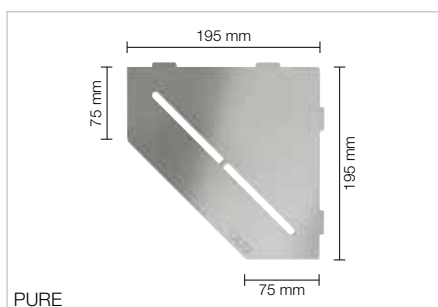
Tablette, design FLORAL, acier inox. brossé

Art.-No.	€ / u.	P (u.)
SE S2 D5 EB	101,15	10

Schlüter®-SHELF-E-S2

Tablette, design CURVE, acier inox. brossé

Art.-No.	€ / u.	P (u.)
SE S2 D6 EB	95,53	10



Schlüter®-SHELF-E-S2

Tablette, design PURE, acier inox. brossé

Art.-No.	€ / u.	P (u.)
SE S2 D7 EB	99,90	10

Schlüter®-SHELF-E-S2

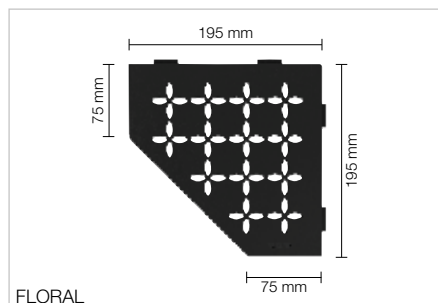
Tablette, design SQUARE, acier inox. brossé

Art.-No.	€ / u.	P (u.)
SE S2 D3 EB	99,90	10

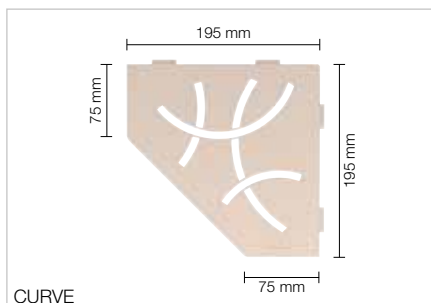
Schlüter®-SHELF-E-S2

Tablette, design WAVE, acier inox. brossé

Art.-No.	€ / u.	P (u.)
SE S2 D10 EB	99,90	10



FLORAL



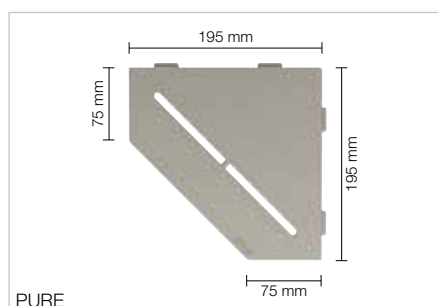
CURVE

Schlüter®-SHELF-E-S2Tablette, design FLORAL,
alu. finition structurée

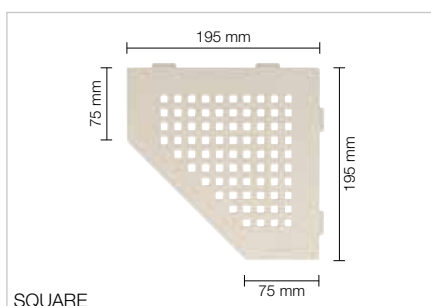
Art.-No.	€ / u.	P (u.)
SE S2 D5 MBW	72,72	10
SE S2 D5 MGS	72,72	10
SE S2 D5 TSBG	79,28	10
SE S2 D5 TSC	79,28	10
SE S2 D5 TSDA	79,28	10
SE S2 D5 TSI	79,28	10
SE S2 D5 TSOB	79,28	10
SE S2 D5 TSSG	79,28	10

Schlüter®-SHELF-E-S2Tablette, design CURVE,
alu. finition structurée

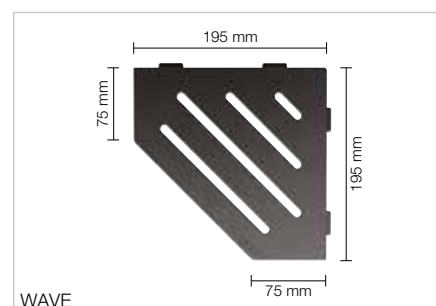
Art.-No.	€ / u.	P (u.)
SE S2 D6 MBW	68,34	10
SE S2 D6 MGS	68,34	10
SE S2 D6 TSBG	74,91	10
SE S2 D6 TSC	74,91	10
SE S2 D6 TSDA	74,91	10
SE S2 D6 TSI	74,91	10
SE S2 D6 TSOB	74,91	10
SE S2 D6 TSSG	74,91	10



PURE



SQUARE



WAVE

Schlüter®-SHELF-E-S2 ★Tablette, design PURE,
alu. finition structurée

Art.-No.	€ / u.	P (u.)
SE S2 D7 MBW	72,90	10
SE S2 D7 MGS	72,90	10
SE S2 D7 TSBG	79,38	10
SE S2 D7 TSC	79,38	10
SE S2 D7 TSDA	79,38	10
SE S2 D7 TSI	79,38	10
SE S2 D7 TSOB	79,38	10
SE S2 D7 TSSG	79,38	10

Schlüter®-SHELF-E-S2 ★Tablette, design SQUARE,
alu. finition structurée

Art.-No.	€ / u.	P (u.)
SE S2 D3 MBW	72,90	10
SE S2 D3 MGS	72,90	10
SE S2 D3 TSBG	79,38	10
SE S2 D3 TSC	79,38	10
SE S2 D3 TSDA	79,38	10
SE S2 D3 TSI	79,38	10
SE S2 D3 TSOB	79,38	10
SE S2 D3 TSSG	79,38	10

Schlüter®-SHELF-E-S2 ★Tablette, design WAVE,
alu. finition structurée

Art.-No.	€ / u.	P (u.)
SE S2 D10 MBW	72,90	10
SE S2 D10 MGS	72,90	10
SE S2 D10 TSBG	79,38	10
SE S2 D10 TSC	79,38	10
SE S2 D10 TSDA	79,38	10
SE S2 D10 TSI	79,38	10
SE S2 D10 TSOB	79,38	10
SE S2 D10 TSSG	79,38	10

FINITIONS / COULEURS DISPONIBLES

Vous trouverez un récapitulatif des finitions et des couleurs à partir de la page 293.

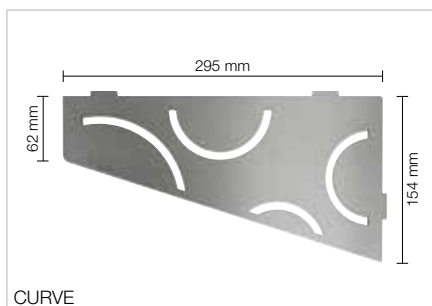
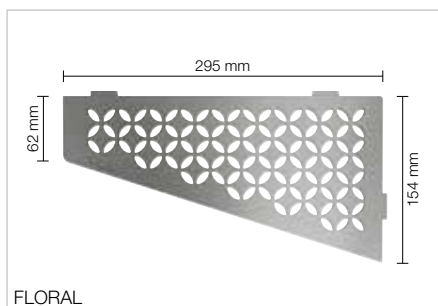
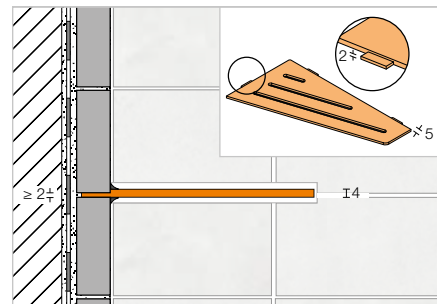


TABLETTE

Schlüter®-SHELF-E-S3



Schlüter-SHELF-E-S3 sont des tablettes d'angle de forme quadrangulaire aux bords asymétriques. Elles existent en design FLORAL, CURVE, PURE, SQUARE et WAVE, en acier inoxydable brossé ou en aluminium finition structurée TRENDLINE. Les tablettes peuvent être mises en œuvre lors de la pose des carreaux ou insérées ultérieurement dans les joints de murs déjà carrelés, grâce aux languettes de fixation de seulement 2 mm d'épaisseur. SHELF-E-S3 conviennent idéalement comme tablettes dans la douche, mais peuvent aussi être utilisées dans des crédences de cuisines, par exemple. (Fiche produit 17.1)



Schlüter®-SHELF-E-S3

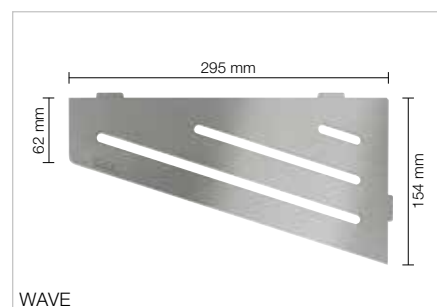
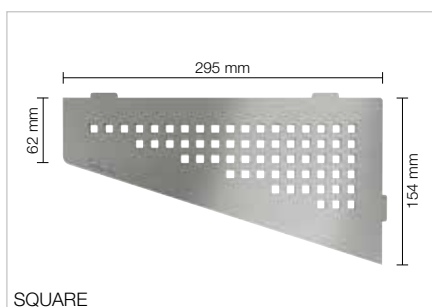
Tablette, design FLORAL, acier inox. brossé

Art.-No.	€ / u.	P (u.)
SE S3 D5 EB	106,77	10

Schlüter®-SHELF-E-S3

Tablette, design CURVE, acier inox. brossé

Art.-No.	€ / u.	P (u.)
SE S3 D6 EB	101,15	10



Schlüter®-SHELF-E-S3

Tablette, design PURE, acier inox. brossé

Art.-No.	€ / u.	P (u.)
SE S3 D7 EB	105,45	10

Schlüter®-SHELF-E-S3

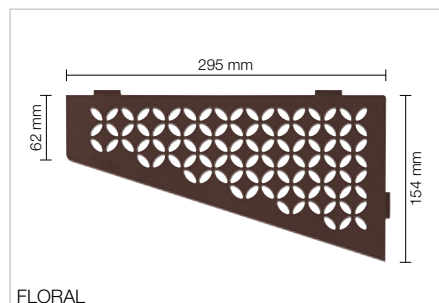
Tablette, design SQUARE, acier inox. brossé

Art.-No.	€ / u.	P (u.)
SE S3 D3 EB	105,45	10

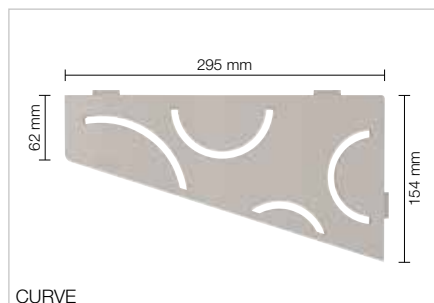
Schlüter®-SHELF-E-S3

Tablette, design WAVE, acier inox. brossé

Art.-No.	€ / u.	P (u.)
SE S3 D10 EB	105,45	10



FLORAL



CURVE

Schlüter®-SHELF-E-S3Tablette, design FLORAL,
alu. finition structurée

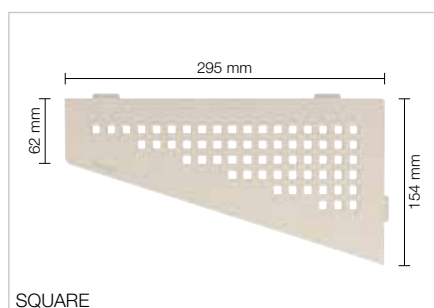
Art.-No.	€ / u.	P (u.)
SE S3 D5 MBW	75,45	10
SE S3 D5 MGS	75,45	10
SE S3 D5 TSBG	82,02	10
SE S3 D5 TSC	82,02	10
SE S3 D5 TSDA	82,02	10
SE S3 D5 TSI	82,02	10
SE S3 D5 TSOB	82,02	10
SE S3 D5 TSSG	82,02	10

Schlüter®-SHELF-E-S3Tablette, design CURVE,
alu. finition structurée

Art.-No.	€ / u.	P (u.)
SE S3 D6 MBW	69,98	10
SE S3 D6 MGS	69,98	10
SE S3 D6 TSBG	76,55	10
SE S3 D6 TSC	76,55	10
SE S3 D6 TSDA	76,55	10
SE S3 D6 TSI	76,55	10
SE S3 D6 TSOB	76,55	10
SE S3 D6 TSSG	76,55	10



PURE



SQUARE



WAVE

Schlüter®-SHELF-E-S3 ★Tablette, design PURE,
alu. finition structurée

Art.-No.	€ / u.	P (u.)
SE S3 D7 MBW	75,60	10
SE S3 D7 MGS	75,60	10
SE S3 D7 TSBG	81,00	10
SE S3 D7 TSC	81,00	10
SE S3 D7 TSDA	81,00	10
SE S3 D7 TSI	81,00	10
SE S3 D7 TSOB	81,00	10
SE S3 D7 TSSG	81,00	10

Schlüter®-SHELF-E-S3 ★Tablette, design SQUARE,
alu. finition structurée

Art.-No.	€ / u.	P (u.)
SE S3 D3 MBW	75,60	10
SE S3 D3 MGS	75,60	10
SE S3 D3 TSBG	81,00	10
SE S3 D3 TSC	81,00	10
SE S3 D3 TSDA	81,00	10
SE S3 D3 TSI	81,00	10
SE S3 D3 TSOB	81,00	10
SE S3 D3 TSSG	81,00	10

Schlüter®-SHELF-E-S3 ★Tablette, design WAVE,
alu. finition structurée

Art.-No.	€ / u.	P (u.)
SE S3 D10 MBW	75,60	10
SE S3 D10 MGS	75,60	10
SE S3 D10 TSBG	81,00	10
SE S3 D10 TSC	81,00	10
SE S3 D10 TSDA	81,00	10
SE S3 D10 TSI	81,00	10
SE S3 D10 TSOB	81,00	10
SE S3 D10 TSSG	81,00	10

FINITIONS / COULEURS DISPONIBLES

Vous trouverez un récapitulatif des finitions et des couleurs à partir de la page 293.



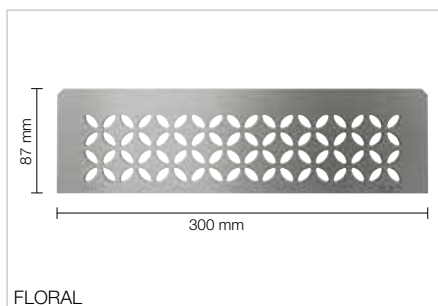
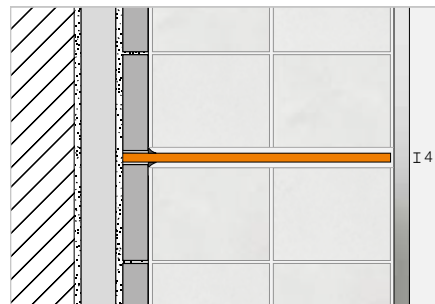
TABLETTE

Schlüter®-SHELF-N

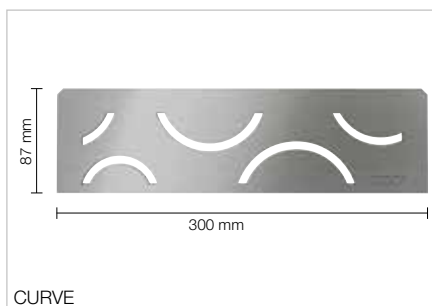


Schlüter-SHELF-N sont des tablettes rectangulaires utilisables dans les niches préfabriquées Schlüter-KERDI-BOARD. Elles sont disponibles en design FLORAL, CURVE, PURE, SQUARE et WAVE, en acier inoxydable brossé ou en aluminium finition structurée TRENDLINE. Elles se mettent en œuvre avec une précision parfaite lors de la pose des carreaux dans les niches Schlüter-KERDI-BOARD.

(Fiche produit 17.1)



FLORAL



CURVE

Schlüter®-SHELF-N-S1

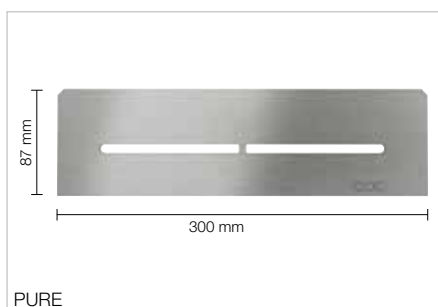
Tablette, design FLORAL, acier inox. brossé

Art.-No.	€ / u.	P (u.)
SN S1 D5 EB	99,47	10

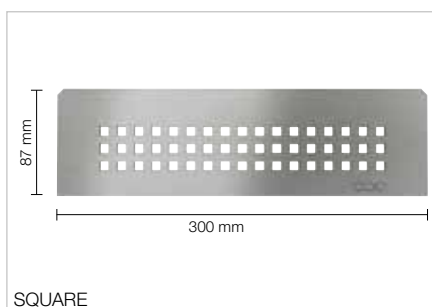
Schlüter®-SHELF-N-S1

Tablette, design CURVE, acier inox. brossé

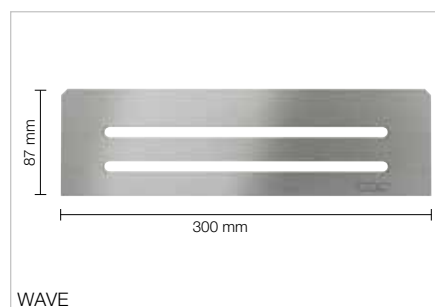
Art.-No.	€ / u.	P (u.)
SN S1 D6 EB	92,72	10



PURE



SQUARE



WAVE

Schlüter®-SHELF-N-S1

Tablette, design PURE, acier inox. brossé

Art.-No.	€ / u.	P (u.)
SN S1 D7 EB	99,90	10

Schlüter®-SHELF-N-S1

Tablette, design SQUARE, acier inox. brossé

Art.-No.	€ / u.	P (u.)
SN S1 D3 EB	99,90	10

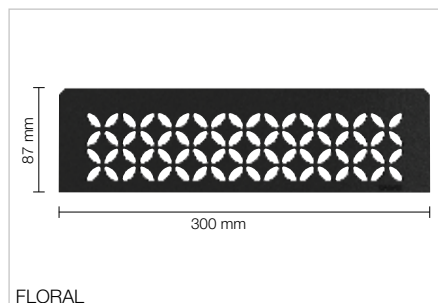
Schlüter®-SHELF-N-S1

Tablette, design WAVE, acier inox. brossé

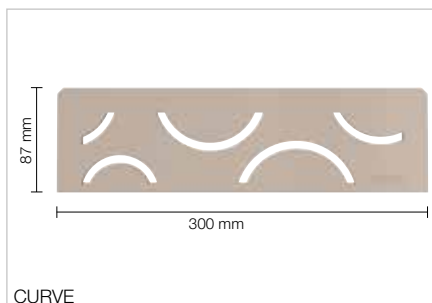
Art.-No.	€ / u.	P (u.)
SN S1 D10 EB	99,90	10

Nota :

Les niches Schlüter-KERDI-BOARD-N se trouvent aux pages 226 à 231.



FLORAL



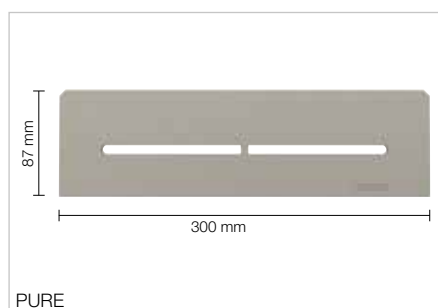
CURVE

Schlüter®-SHELF-N-S1Tablette, design FLORAL,
alu. finition structurée

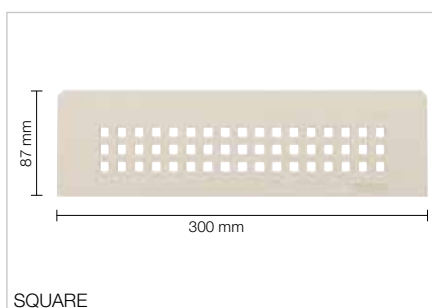
Art.-No.	€ / u.	P (u.)
SN S1 D5 MBW	69,98	10
SN S1 D5 MGS	69,98	10
SN S1 D5 TSBG	76,55	10
SN S1 D5 TSC	76,55	10
SN S1 D5 TSDA	76,55	10
SN S1 D5 TSI	76,55	10
SN S1 D5 TSOB	76,55	10
SN S1 D5 TSSG	76,55	10

Schlüter®-SHELF-N-S1Tablette, design CURVE,
alu. finition structurée

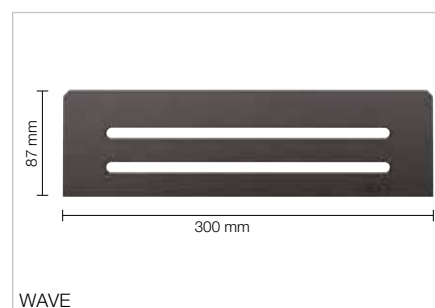
Art.-No.	€ / u.	P (u.)
SN S1 D6 MBW	60,15	10
SN S1 D6 MGS	60,15	10
SN S1 D6 TSBG	65,61	10
SN S1 D6 TSC	65,61	10
SN S1 D6 TSDA	65,61	10
SN S1 D6 TSI	65,61	10
SN S1 D6 TSOB	65,61	10
SN S1 D6 TSSG	65,61	10



PURE



SQUARE



WAVE

Schlüter®-SHELF-N-S1 ★Tablette, design PURE,
alu. finition structurée

Art.-No.	€ / u.	P (u.)
SN S1 D7 MBW	71,82	10
SN S1 D7 MGS	71,82	10
SN S1 D7 TSBG	77,22	10
SN S1 D7 TSC	77,22	10
SN S1 D7 TSDA	77,22	10
SN S1 D7 TSI	77,22	10
SN S1 D7 TSOB	77,22	10
SN S1 D7 TSSG	77,22	10

Schlüter®-SHELF-N-S1 ★Tablette, design SQUARE,
alu. finition structurée

Art.-No.	€ / u.	P (u.)
SN S1 D3 MBW	71,82	10
SN S1 D3 MGS	71,82	10
SN S1 D3 TSBG	77,22	10
SN S1 D3 TSC	77,22	10
SN S1 D3 TSDA	77,22	10
SN S1 D3 TSI	77,22	10
SN S1 D3 TSOB	77,22	10
SN S1 D3 TSSG	77,22	10

Schlüter®-SHELF-N-S1 ★Tablette, design WAVE,
alu. finition structurée

Art.-No.	€ / u.	P (u.)
SN S1 D10 MBW	71,82	10
SN S1 D10 MGS	71,82	10
SN S1 D10 TSBG	77,22	10
SN S1 D10 TSC	77,22	10
SN S1 D10 TSDA	77,22	10
SN S1 D10 TSI	77,22	10
SN S1 D10 TSOB	77,22	10
SN S1 D10 TSSG	77,22	10

FINITIONS / COULEURS DISPONIBLES

Vous trouverez un récapitulatif des finitions et des couleurs à partir de la page 293.



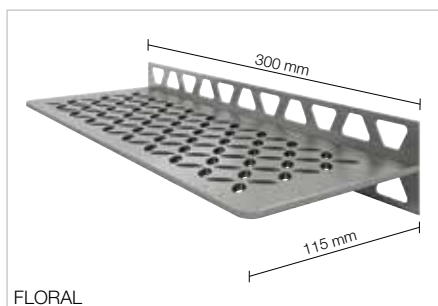
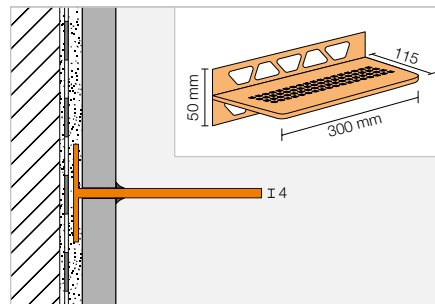
TABLETTE

Schlüter®-SHELF-W

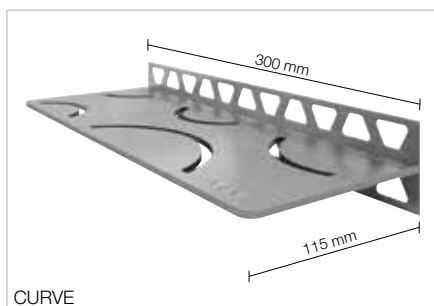


Schlüter-SHELF-W sont des tablettes rectangulaires à intégrer dans des surfaces murales. Elles existent en design FLORAL, CURVE, PURE, SQUARE et WAVE, en acier inoxydable brossé ou en aluminium finition structurée TRENDLINE. Avec leurs ailettes de fixation à perforations trapézoïdales, elles s'intègrent dans l'agencement des carreaux au cours de la pose. Elles sont idéales comme tablettes dans la douche, mais peuvent aussi être utilisées dans des crédences de cuisines, par exemple.

(Fiche produit 17.1)



FLORAL



CURVE

Schlüter®-SHELF-W-S1

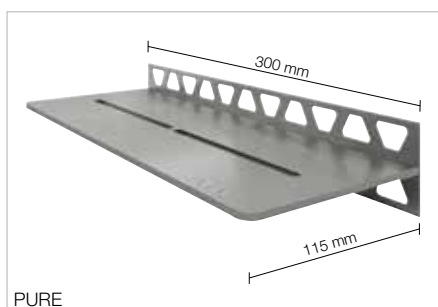
Tablette, design FLORAL, acier inox. brossé

Art.-No.	€ / u.	P (u.)
SW S1 D5 EB	134,87	10

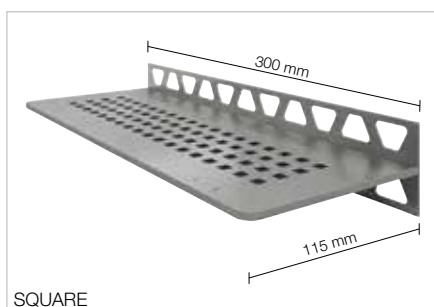
Schlüter®-SHELF-W-S1

Tablette, design CURVE, acier inox. brossé

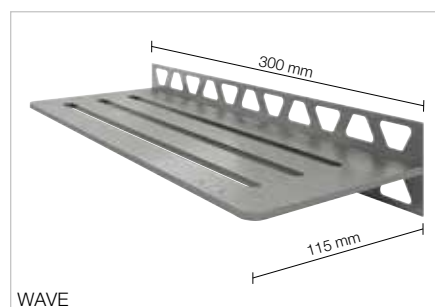
Art.-No.	€ / u.	P (u.)
SW S1 D6 EB	123,63	10



PURE



SQUARE



WAVE

Schlüter®-SHELF-W-S1

Tablette, design PURE, acier inox. brossé

Art.-No.	€ / u.	P (u.)
SW S1 D7 EB	138,75	10

Schlüter®-SHELF-W-S1

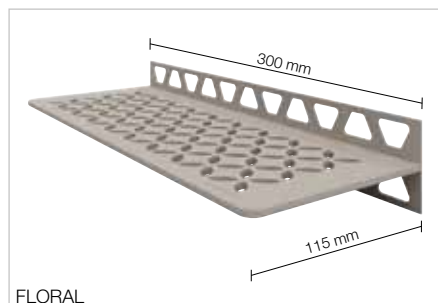
Tablette, design SQUARE, acier inox. brossé

Art.-No.	€ / u.	P (u.)
SW S1 D3 EB	138,75	10

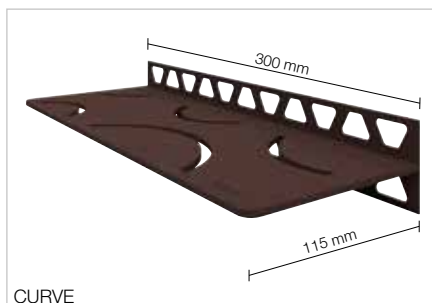
Schlüter®-SHELF-W-S1

Tablette, design WAVE, acier inox. brossé

Art.-No.	€ / u.	P (u.)
SW S1 D10 EB	138,75	10



FLORAL



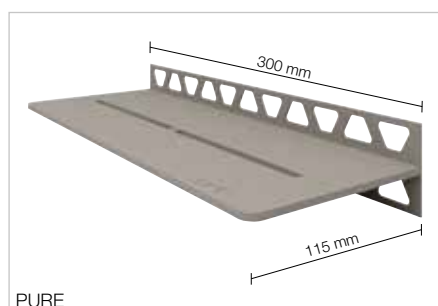
CURVE

Schlüter®-SHELF-W-S1Tablette, design FLORAL,
alu. finition structurée

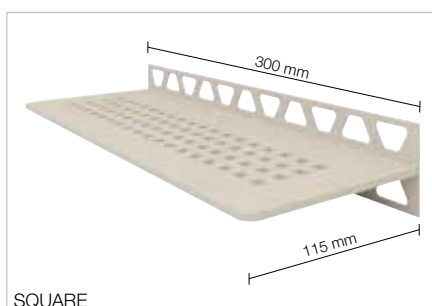
Art.-No.	€ / u.	P (u.)
SW S1 D5 MBW	101,15	10
SW S1 D5 MGS	101,15	10
SW S1 D5 TSBG	107,71	10
SW S1 D5 TSC	107,71	10
SW S1 D5 TSDA	107,71	10
SW S1 D5 TSI	107,71	10
SW S1 D5 TSOB	107,71	10
SW S1 D5 TSSG	107,71	10

Schlüter®-SHELF-W-S1Tablette, design CURVE,
alu. finition structurée

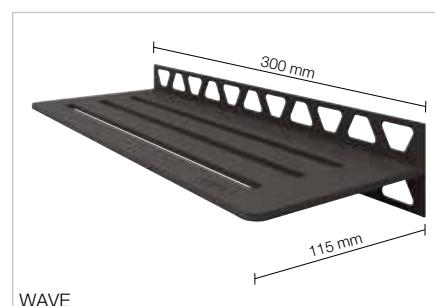
Art.-No.	€ / u.	P (u.)
SW S1 D6 MBW	90,21	10
SW S1 D6 MGS	90,21	10
SW S1 D6 TSBG	96,78	10
SW S1 D6 TSC	96,78	10
SW S1 D6 TSDA	96,78	10
SW S1 D6 TSI	96,78	10
SW S1 D6 TSOB	96,78	10
SW S1 D6 TSSG	96,78	10



PURE



SQUARE



WAVE

Schlüter®-SHELF-W-S1 ★Tablette, design PURE,
alu. finition structurée

Art.-No.	€ / u.	P (u.)
SW S1 D7 MBW	102,60	10
SW S1 D7 MGS	102,60	10
SW S1 D7 TSBG	108,00	10
SW S1 D7 TSC	108,00	10
SW S1 D7 TSDA	108,00	10
SW S1 D7 TSI	108,00	10
SW S1 D7 TSOB	108,00	10
SW S1 D7 TSSG	108,00	10

Schlüter®-SHELF-W-S1 ★Tablette, design SQUARE,
alu. finition structurée

Art.-No.	€ / u.	P (u.)
SW S1 D3 MBW	102,60	10
SW S1 D3 MGS	102,60	10
SW S1 D3 TSBG	108,00	10
SW S1 D3 TSC	108,00	10
SW S1 D3 TSDA	108,00	10
SW S1 D3 TSI	108,00	10
SW S1 D3 TSOB	108,00	10
SW S1 D3 TSSG	108,00	10

Schlüter®-SHELF-W-S1 ★Tablette, design WAVE,
alu. finition structurée

Art.-No.	€ / u.	P (u.)
SW S1 D10 MBW	102,60	10
SW S1 D10 MGS	102,60	10
SW S1 D10 TSBG	108,00	10
SW S1 D10 TSC	108,00	10
SW S1 D10 TSDA	108,00	10
SW S1 D10 TSI	108,00	10
SW S1 D10 TSOB	108,00	10
SW S1 D10 TSSG	108,00	10

FINITIONS / COULEURS DISPONIBLES

Vous trouverez un récapitulatif des finitions et des couleurs à partir de la page 293.



Schlüter®-KERDI-BOARD

Plus qu'un simple panneau de construction

Simple à utiliser et facile à transporter, Schlüter-KERDI-BOARD est votre allié pour la réalisation d'une étanchéité composite. Notre gamme comprend de nombreuses solutions telles que l'habillage de tuyaux ou la conception de niches éclairées. Laissez donc libre cours à votre créativité.





Panneaux

Schlüter®-KERDI-BOARD	225
Schlüter®-KERDI-BOARD-V	232

Kits de niches

Schlüter®-KERDI-BOARD-N	226–227
Schlüter®-KERDI-BOARD-NLT	228–229
Schlüter®-KERDI-BOARD-NLT-BR	230–231

Étanchéité

Schlüter®-KERDI-KEBA	233
Schlüter®-KERDI-COLL-L	233

Profilés

Schlüter®-KERDI-BOARD-ZW	234
Schlüter®-KERDI-BOARD-ZC	234
Schlüter®-KERDI-BOARD-ZA	235
Schlüter®-KERDI-BOARD-ZB	235

Accessoires

Schlüter®-KERDI-BOARD-E	232
Schlüter®-KERDI-BOARD-U	232
Schlüter®-KERDI-BOARD-ZSD	236
Schlüter®-KERDI-BOARD-ZT	236
Schlüter®-KERDI-BOARD-ZS	236
Schlüter®-KERDI-BOARD-ZDK	237
Schlüter®-KERDI-BOARD-ZSA	237
Schlüter®-KERDI-BOARD-ZFP	237



Schlüter®-KERDI-BOARD

Le panneau d'agencement universel pour carrelages

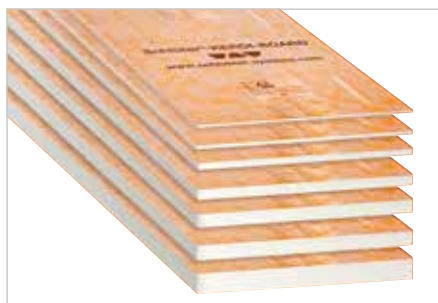
Dans le neuf comme dans la rénovation, de nombreux supports ne sont pas adaptés à la pose de revêtements carrelés, notamment dans les pièces humides, ce qui entraîne fréquemment d'importants travaux supplémentaires ainsi que la réalisation d'une étanchéité appropriée (S.P.E.C.). Avec Schlüter-KERDI-BOARD, il est très simple de réaliser un support prêt à carrelé, sur de la maçonnerie comme sur des structures en bois ou en métal ou sur des supports mixtes et anciens (rénovation). Ce panneau convient également pour des cloisons autoportées, des rayonnages, des habillages, etc...

- ✓ Étanchéité composite
- ✓ Dispose d'un agrément technique européen, et arbore le marquage CE
- ✓ Étanche à l'eau et insensible aux variations de température
- ✓ Pare-vapeur
- ✓ Isolant thermique
- ✓ Génère peu d'émissions de substances volatiles dans l'air intérieur
- ✓ Exempt de ciment et de fibre de verre
- ✓ Plan, indéformable et résistant à la flexion
- ✓ Découpe facile et sans poussière (au cutter)
- ✓ Trame de découpe imprimée
- ✓ Recouvert d'un non-tissé pour un bon ancrage du mortier-colle
- ✓ Léger et donc facile à transporter
- ✓ Utilisable sur tout type de support
- ✓ Agréable au toucher

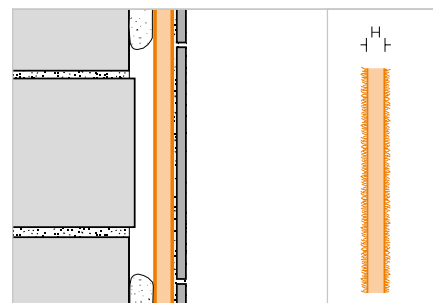


PANNEAU

Schlüter®-KERDI-BOARD



Schlüter-KERDI-BOARD est un panneau d'agencement pour tout type de support, utilisable directement comme étanchéité composite (S.P.E.C.). Schlüter-KERDI-BOARD peut être recouvert de carrelage ou d'enduit. (Fiche produit 12.1)



Schlüter®-KERDI-BOARD

Panneau

H (mm)	62,5 x 260 cm = 1,62 m ² Art.-No.	€ / m ²	PL (u.)
5	KB 5 625 2600	32,19	140
9	KB 9 625 2600	33,75	80
12,5	KB 12 625 2600	35,35	60
19	KB 19 625 2600	36,90	42
28	KB 28 625 2600	41,02	28
38	KB 38 625 2600	46,07	21
50	KB 50 625 2600	51,75	15

Schlüter®-KERDI-BOARD

Palettes mixtes

Composition	L = 2,60 m Art.-No.	€ / u.
20 x 5 mm, 20 x 9 mm, 20 x 12,5 mm, 12 x 19 mm	KB 2600 MP1	3999,39
8 x 28 mm, 6 x 38 mm, 6 x 50 mm	KB 2600 MP2	1482,39
10 x 5 mm, 10 x 9 mm, 10 x 12,5 mm, 6 x 19 mm, 4 x 28 mm, 3 x 38 mm, 3 x 50 mm	KB 2600 MP3	2740,88

Schlüter®-KERDI-BOARD

Panneau

H (mm)	62,5 x 125 cm = 0,78 m ² Art.-No.	€ / m ²	PL (u.)
5	KB 5 625 1250	32,19	140
9	KB 9 625 1250	33,75	80
12,5	KB 12 625 1250	35,35	60
19	KB 19 625 1250	36,90	42
28	KB 28 625 1250	41,02	28
38	KB 38 625 1250	46,07	21
50	KB 50 625 1250	51,75	15

Schlüter®-KERDI-BOARD

Palettes mixtes

Composition	L = 1,25 m Art.-No.	€ / u.
20 x 5 mm, 20 x 9 mm, 20 x 12,5 mm, 12 x 19 mm	KB 1250 MP1	1925,63
8 x 28 mm, 6 x 38 mm, 6 x 50 mm	KB 1250 MP2	713,73
10 x 5 mm, 10 x 9 mm, 10 x 12,5 mm, 6 x 19 mm, 4 x 28 mm, 3 x 38 mm, 3 x 50 mm	KB 1250 MP3	1319,70

Dimensions et conditionnement de Schlüter®-KERDI-BOARD

Épaisseur des panneaux	5 mm	9 mm	12,5 mm	19 mm	28 mm	38 mm	50 mm
Unité de conditionnement (UC)	10 panneaux	10 panneaux	10 panneaux	6 panneaux	4 panneaux	3 panneaux	3 panneaux
Contenu d'une palette	14 UC (140 panneaux)	8 UC (80 panneaux)	6 UC (60 panneaux)	7 UC (42 panneaux)	7 UC (28 panneaux)	7 UC (21 panneaux)	5 UC (15 panneaux)
Format 125 x 62,5 cm							
m ² / palette	109,20	62,40	46,80	32,76	21,84	16,38	11,70
kg / panneau	0,64	0,77	0,79	0,94	1,20	1,44	1,75
Format 260 x 62,5 cm							
m ² / palette	226,80	129,60	97,20	68,04	45,36	34,02	24,30
kg / panneau	1,34	1,60	1,65	1,95	2,50	3,00	3,65



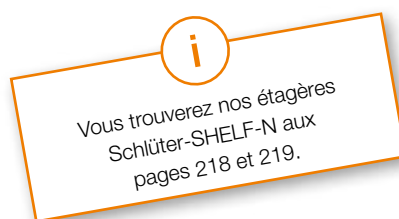
KITS DE NICHES

Schlüter®-KERDI-BOARD-N

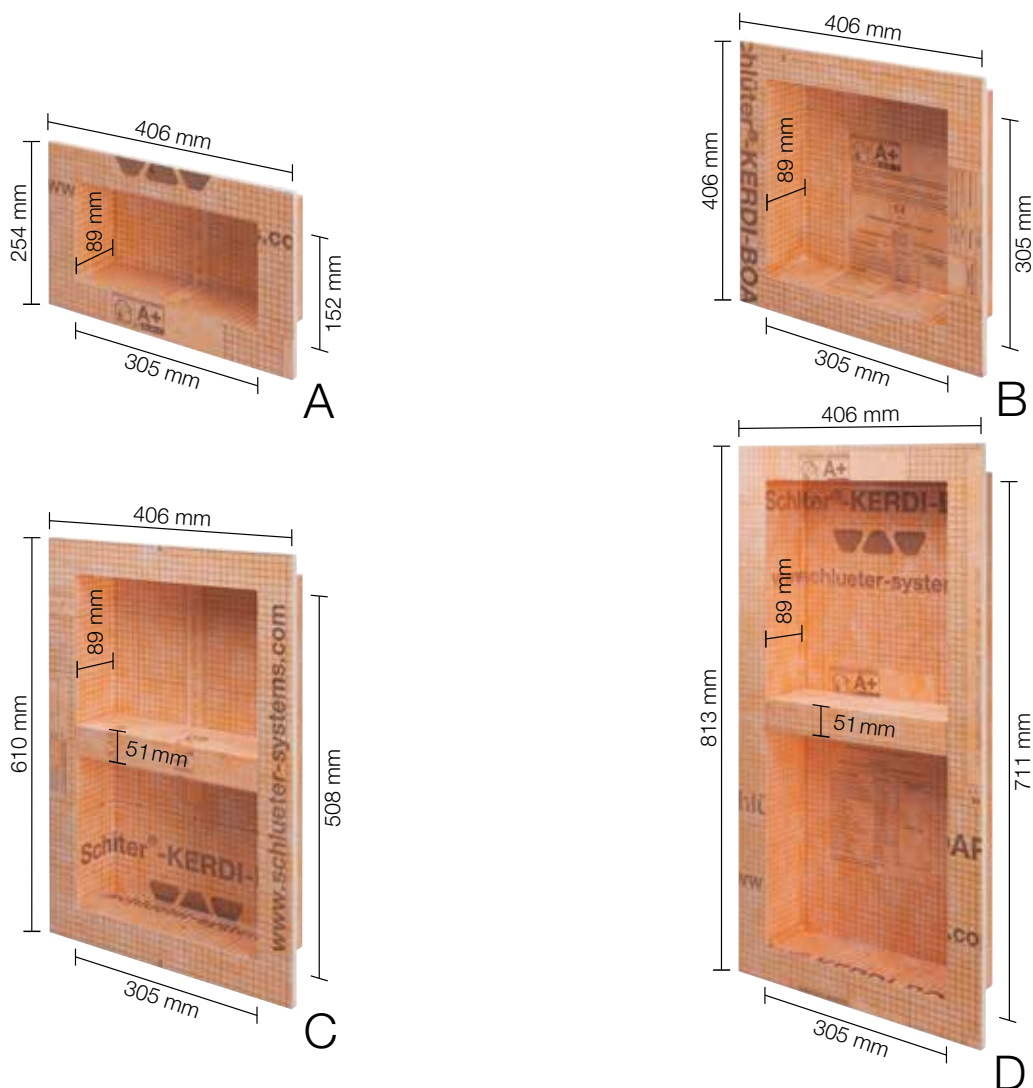


Schlüter-KERDI-BOARD-N sont des éléments préformés en KERDI-BOARD à encastrer pour la réalisation de niches et de surfaces de rangement murales. Ces éléments sont étanches et peuvent être utilisés en liaison avec l'étanchéité composite Schlüter-KERDI. Les niches sont disponibles en différentes dimensions. Les niches rectangulaires peuvent être mises en œuvre à l'horizontale ou à la verticale. Les tablettes intermédiaires des deux grandes niches ne sont pas fixes et peuvent être positionnées librement, ou ne pas être utilisées, par exemple lors de la mise en œuvre horizontale d'une grande niche. Toutes les niches sont livrées avec une collerette d'étanchéité.

(Fiche produit 12.1)



DIMENSIONS DES NICHES





Schlüter®-KERDI-BOARD-N

Kits de niches

	B x H x T (mm)	Épaisseur des panneaux (mm)	Tablettes intermédiaires	Art.-No.	€ / u.	PL (u.)
A	305 x 152 x 89	12,5	-	KB 12 N 305 152 A	57,69	20
B	305 x 305 x 89	12,5	-	KB 12 N 305 305 A	72,19	20
C	305 x 508 x 89	12,5	1	KB 12 N 305 508 A1	106,73	20
D	305 x 711 x 89	12,5	1	KB 12 N 305 711 A1	144,41	20

Nota : Les cotes indiquées correspondent aux dimensions intérieures de la niche. La première longueur indiquée est la longueur éclairée.

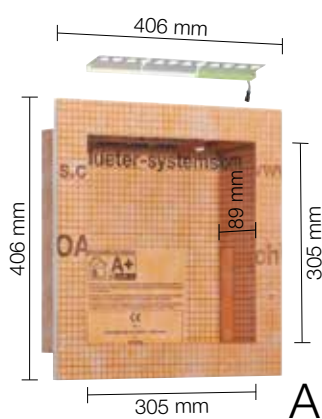


Schlüter®-KERDI-BOARD-NLT

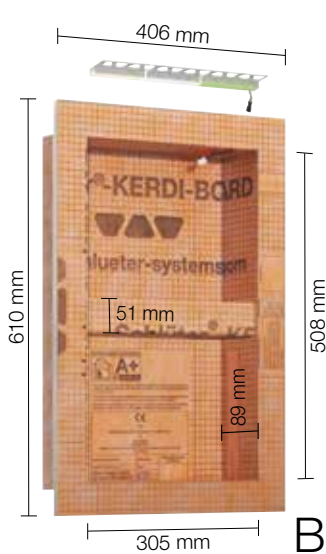
Les kits Schlüter-KERDI-BOARD-NLT combinent des niches KERDI-BOARD avec des LED LIPROTEC clipsables. Ils permettent de réaliser des surfaces de rangement pour les parois murales. Les niches peuvent être combinées avec le système d'étanchéité Schlüter-KERDI. Elles sont disponibles en différentes dimensions et couleurs de LED. Les niches rectangulaires sont équipées d'un éclairage soit sur la largeur, soit sur la longueur. Le module LED peut être positionné soit sur le bord avant, soit au centre, soit sur la paroi arrière à carreler. Toutes les pièces nécessaires au montage sont fournies, notamment les liaisons filaires et le bloc d'alimentation, ainsi que la collerette d'étanchéité. Pour améliorer le confort d'utilisation, nous recommandons d'installer un interrupteur dans la pièce.

(Fiche produit 12.2)

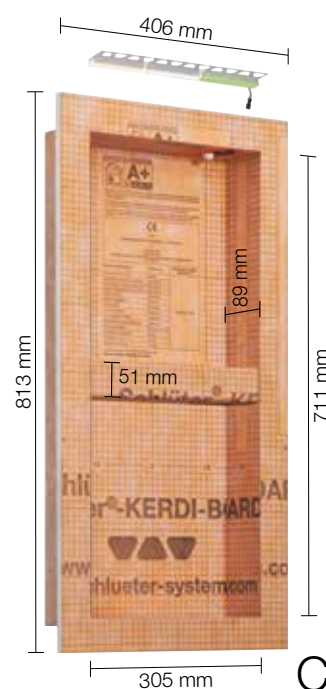
DIMENSIONS DES NICHES



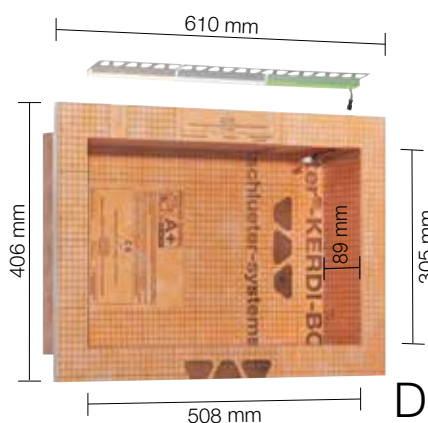
A



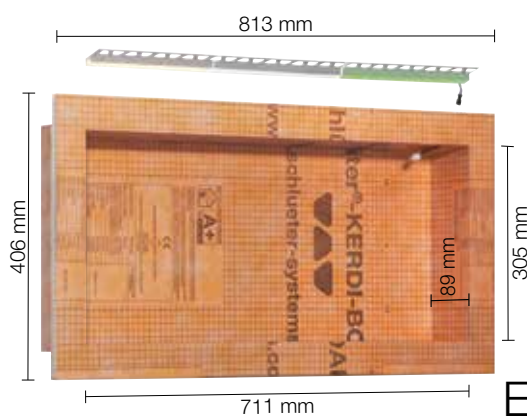
B



C



D



E

i

Vous trouverez nos étagères Schlüter-SHELF-N aux pages 218 et 219.

CONTENU DU KIT :



i

Commande Bluetooth disponible séparément !

KIT DE NICHES AVEC ÉCLAIRAGE À LED

Schlüter®-KERDI-BOARD-NLT

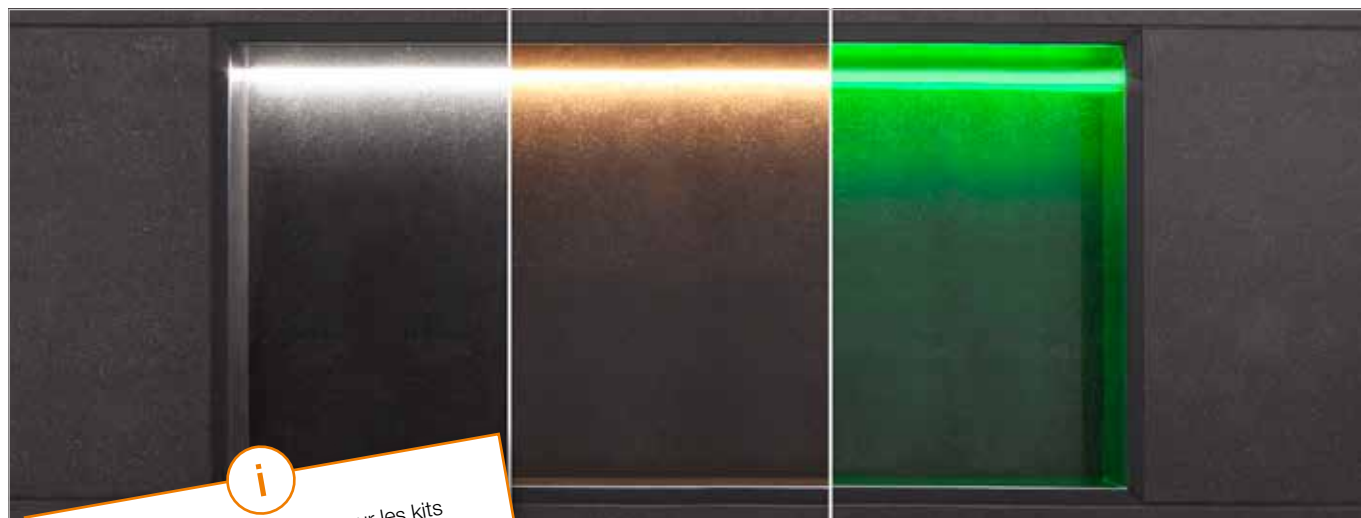
Kit de niches avec éclairage à LED

	B x H x T (mm)	Type d'éclairage	Art.-No.	€ / Kit	PL (kit)
A	305 x 305 x 89	blanc chaud	KB 12 NL TP1 AE 1	259,20	20
		blanc neutre	KB 12 NL TP1 AE 2	259,20	20
		RVB+blanc	KB 12 NL TP1 AE 9	291,60	20
B	305 x 508 x 89	blanc chaud	KB 12 NL TP2 AE 1	291,60	20
		blanc neutre	KB 12 NL TP2 AE 2	291,60	20
		RVB+blanc	KB 12 NL TP2 AE 9	324,00	20
C	305 x 711 x 89	blanc chaud	KB 12 NL TP3 AE 1	334,80	20
		blanc neutre	KB 12 NL TP3 AE 2	334,80	20
		RVB+blanc	KB 12 NL TP3 AE 9	367,20	20
D	508 x 305 x 89	blanc chaud	KB 12 NL TP4 AE 1	318,60	20
		blanc neutre	KB 12 NL TP4 AE 2	318,60	20
		RVB+blanc	KB 12 NL TP4 AE 9	334,80	20
E	711 x 305 x 89	blanc chaud	KB 12 NL TP5 AE 1	388,80	20
		blanc neutre	KB 12 NL TP5 AE 2	388,80	20
		RVB+blanc	KB 12 NL TP5 AE 9	405,00	20

Nota : Les cotes indiquées correspondent aux dimensions intérieures de la niche. La première longueur indiquée est la longueur éclairée.

CARACTÉRISTIQUES TECHNIQUES DES MODULES LED

NLT 9 (RVB+B)		NLT 1 (blanc chaud)		NLT 2 (blanc neutre)	
Dimensions des LED (b x h)	17 x 14,5 mm	Dimensions des LED (b x h)	12 x 10,5 mm	Dimensions des LED (b x h)	12 x 10,5 mm
Puissance nominale (W/m)	voir LT 22 page 78	Puissance nominale (W/m)	voir LT 22 page 78	Puissance nominale (W/m)	voir LT 22 page 78
Classe énerg.	F	Classe énerg.	E	Classe énerg.	E
Nombre de LED (u./m)	112	Nombre de LED (u./m)	280	Nombre de LED (u./m)	280
Température de couleur (Kelvin)	RVB+B (2700 K)	Température de couleur (Kelvin)	3000 K	Température de couleur (Kelvin)	4900 K
IRC	90	IRC	92	IRC	92
Bloc d'alimentation	230 V, 15 W	Bloc d'alimentation	230 V, 15 W	Bloc d'alimentation	230 V, 15 W
Câble inclus	3 m	Câble inclus	3 m	Câble inclus	3 m



i

Les informations détaillées sur les kits Schlüter-KERDI-BOARD-NLT/-NLT-BF se trouvent dans notre tarif illustré Schlüter-LIPROTEC.



Schlüter®-KERDI-BOARD-NLT-BR

Les kits Schlüter-KERDI-BOARD-NLT-BR combinent des niches KERDI-BOARD avec des LED LIPROTEC RVB+B, clipsables et avec récepteur Bluetooth. Les différentes couleurs se programment via la télécommande fournie ou un smartphone ou une tablette appropriés, compatibles avec la fonction Bluetooth. Ils permettent de réaliser des niches et des surfaces de rangement murales. Les niches peuvent être combinées avec le système d'étanchéité Schlüter-KERDI.

Les niches sont disponibles en différentes dimensions. Les niches rectangulaires sont équipées d'un éclairage soit sur la largeur, soit sur la longueur. Le module LED RVB+B peut être positionné soit sur le bord avant, soit au centre, soit sur la paroi arrière à carreler. Toutes les pièces nécessaires au montage sont fournies, notamment les liaisons filaires, le récepteur et le bloc d'alimentation ainsi que la collerette d'étanchéité. Pour améliorer le confort d'utilisation, nous recommandons d'installer un interrupteur dans la pièce.

(Fiche produit 12.2)



CONTENU DU KIT :



Nota : Les différents modèles de niches se trouvent à la page 228.

i
Vous trouverez nos étagères
Schlüter-SHELF-N aux
pages 218 et 219.

KIT DE NICHES AVEC ÉCLAIRAGE À LED ET COMMANDE

Schlüter®-KERDI-BOARD-NLT-BR

Kit de niches avec éclairage à LED et commande

	B x H x T (mm)	Type d'éclairage	Art.-No.	€ / Kit	PL (kit)
A	305 x 305 x 89	RVB+blanc	KB 12 NL TP1 AE 9 BR	480,60	20
B	305 x 508 x 89	RVB+blanc	KB 12 NL TP2 AE 9 BR	513,00	20
C	305 x 711 x 89	RVB+blanc	KB 12 NL TP3 AE 9 BR	556,20	20
D	508 x 305 x 89	RVB+blanc	KB 12 NL TP4 AE 9 BR	523,80	20
E	711 x 305 x 89	RVB+blanc	KB 12 NL TP5 AE 9 BR	594,00	20

Nota :

Les cotes indiquées correspondent aux dimensions intérieures de la niche. La première longueur indiquée est la longueur éclairée.

CARACTÉRISTIQUES TECHNIQUES DES MODULES LED

NLT 9 (RVB+B)

Dimensions des LED (b x h)	17 x 14,5 mm
Puissance nominale (W/m)	voir LT 22 page 78
Classe énerg.	F
Nombre de LED (u./m)	112
IRC	90
Bloc d'alimentation	230 V, 15 W
Câble inclus	3 m

i

Les informations détaillées sur les kits Schlüter-KERDI-BOARD-NLT/-NLT-BR se trouvent dans notre tarif illustré Schlüter-LIPROTEC.

CARACTÉRISTIQUES TECHNIQUES DE LA COMMANDE BLUETOOTH

LT PEBR 4

Portée maximum	10 m
Tension d'entrée	24 V, CC
Puissance totale max. du système LIPROTEC	90 W
Longueur maximale des rubans LED	6 m
Indice de protection	IP63
Température ambiante	entre -20 °C et +50 °C





PANNEAU

Schlüter®-KERDI-BOARD-V



Schlüter-KERDI-BOARD-V est un panneau d'agencement prédécoupé pour la réalisation d'éléments de forme courbe.

(Fiche produit 12.1)

Schlüter®-KERDI-BOARD-V

Panneau prédécoupé

H (mm)	62,5 x 260 cm = 1,62 m ² Art.-No.	€ / m ²	PL (u.)
9	KB 9 625 2600 V	42,84	80
12,5	KB 12 625 2600 V	44,43	60
19	KB 19 625 2600 V	46,01	42
28	KB 28 625 2600 V	50,10	28
38	KB 38 625 2600 V	55,14	21
50	KB 50 625 2600 V	60,84	15

ÉLÉMENT EN ÉQUERRE

Schlüter®-KERDI-BOARD-E



Schlüter-KERDI-BOARD-E est un élément en équerre pour la réalisation d'angles et d'habillage de canalisations.

(Fiche produit 12.1)

Schlüter®-KERDI-BOARD-E

Élément en équerre 260 x 62,5 cm

H (mm)	31 x 31 cm Art.-No.	€ / u.	PL (u.)
12,5	KB 12 625 2600 E	77,88	60
19	KB 19 625 2600 E	80,41	42
28	KB 28 625 2600 E	87,08	28

Schlüter®-KERDI-BOARD-E/-U

Emballage mixte : éléments en U / éléments en équerre

Composition	L = 2,60 m Art.-No.	€ / u.
2 x KB 19 625 2600 E 2 x KB 19 625 2600 U 20 2 x KB 19 625 2600 U 30	KB RK 2600 MP1	564,43

HABILLAGE DE TUYAUX

Schlüter®-KERDI-BOARD-U



Schlüter-KERDI-BOARD-U est un élément en U pour la réalisation d'habillage de canalisations.

(Fiche produit 12.1)

Schlüter®-KERDI-BOARD-U

Éléments en U 260 x 62,5 cm

H (mm)	21 x 20 x 21 cm Art.-No.	€ / u.	PL (u.)
19	KB 19 625 2600 U 20	100,92	42

Schlüter®-KERDI-BOARD-U

Éléments en U 260 x 62,5 cm

H (mm)	16 x 30 x 16 cm Art.-No.	€ / u.	PL (u.)
19	KB 19 625 2600 U 30	100,92	42

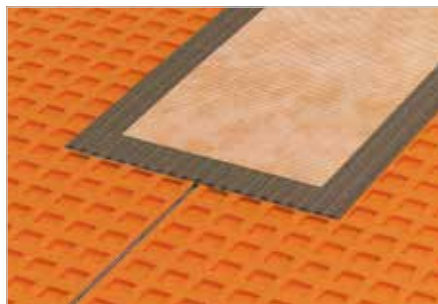
Schlüter®-KERDI-BOARD-E/-U

Emballage mixte : éléments en U / éléments en équerre

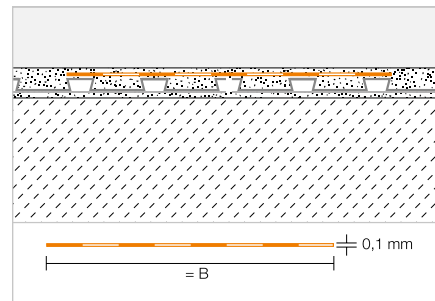
Composition	L = 2,60 m Art.-No.	€ / u.
2 x KB 19 625 2600 E 2 x KB 19 625 2600 U 20 2 x KB 19 625 2600 U 30	KB RK 2600 MP1	564,43

BANDE DE PONTAGE

Schlüter®-KERDI-KEBA



Schlüter-KERDI-KEBA est une bande en polyéthylène dont les deux faces sont revêtues d'un non-tissé, pour réaliser le pontage étanche entre les lés et les liaisons sol/murs. (Fiche produit 8.1)



Schlüter®-KERDI-KEBA

Rouleau

B (mm)	Rouleau = 30 m Art.-No.	€ / m	PL (Rouleau)
85	KEBA 100 / 85	2,43	336
125	KEBA 100 / 125	3,65	210
150	KEBA 100 / 150	3,86	210
185	KEBA 100 / 185	5,00	168
250	KEBA 100 / 250	6,47	126

Schlüter®-KERDI-KEBA/5M

Rouleau

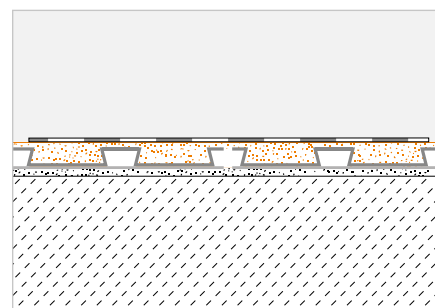
B (mm)	Rouleau = 5 m Art.-No.	€ / m	P (Rouleau)
85	KEBA 100 / 85 / 5M	3,42	10
125	KEBA 100 / 125 / 5M	4,56	10
150	KEBA 100 / 150 / 5M	4,89	10
185	KEBA 100 / 185 / 5M	5,95	10
250	KEBA 100 / 250 / 5M	7,47	10

COLLE ÉTANCHE

Schlüter®-KERDI-COLL-L



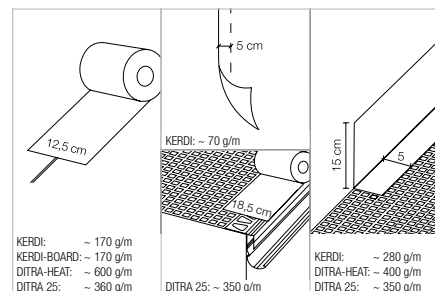
Schlüter-KERDI-COLL-L est une colle étanche composée d'une dispersion acrylique exempte de solvant et d'une poudre réactive à base de ciment. Elle permet le collage au niveau des chevauchements de natte Schlüter-KERDI 200. Schlüter-KERDI-COLL-L est également utilisée pour le pontage étanche des lés avec Schlüter-KERDI-KEBA sur Schlüter-KERDI, Schlüter-DITRA 25 et Schlüter-DITRA-HEAT, ainsi que pour le collage de la bande Schlüter-KERDI-KEBA sur les profilés de rive Schlüter-BARA. (Fiche produit 8.4)



Schlüter®-KERDI-COLL-L

Colle d'étanchéité bi-composant

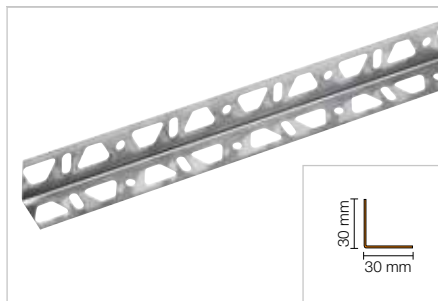
Poids (kg)	Art.-No.	€ / kg	PL (u.)
1,85	KERDI-COLL-L 185	11,92	110
4,25	KERDI-COLL-L	9,81	75





CORNIÈRE

Schlüter®-KERDI-BOARD-ZW



Schlüter-KERDI-BOARD-ZW est un profilé en équerre en acier inoxydable de 30 x 30 mm dont les deux ailettes sont perforées. Il sert à fixer et à stabiliser les structures réalisées avec les panneaux Schlüter-KERDI-BOARD. La fixation peut s'effectuer au choix par vissage ou par collage au mortier-collé. (Fiche produit 12.1)

Schlüter®-KERDI-BOARD-ZW

Profilé d'équerre en acier inox. 30 x 30 mm

L (cm)	Art.-No.	€ / u.	KV (u.)
15	KB ZW 30 E/15	1,45	120

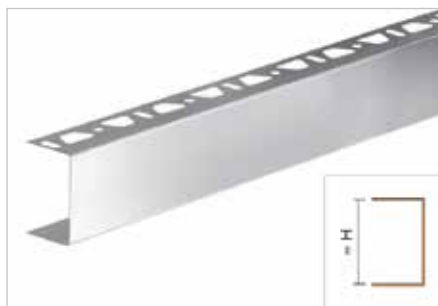
Schlüter®-KERDI-BOARD-ZW

Profilé d'équerre en acier inox. 30 x 30 mm

L (cm)	Art.-No.	€ / m	KV (u.)
250	KB ZW 30 E	8,63	120

PROFILÉ EN U | ANGLE | RACCORD

Schlüter®-KERDI-BOARD-ZC



Schlüter-KERDI-BOARD-ZC est un profilé en U en acier inoxydable brossé avec une ailette perforée. Il convient pour la finition de plans de travail de cuisine, de supports de vasques, etc. (Fiche produit 12.1)

Schlüter®-KERDI-BOARD-ZC

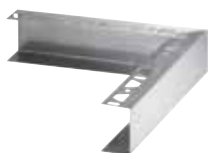
Profilé en U, perforé sur une ailette, acier inox. V2A brossé

H (mm)	L = 2,50 m Art.-No.	€ / m	KV (u.)
38	KB ZC 38 EB	20,46	40
50	KB ZC 50 EB	22,35	40

Schlüter®-KERDI-BOARD-ZC/E

Angle, perforé sur une ailette, acier inox. V2A brossé

H (mm)	Art.-No.	€ / u.	P (u.)
38	E/KB ZC 38 EB	18,41	10
50	E/KB ZC 50 EB	18,41	10



KERDI-BOARD-ZC/E

Schlüter®-KERDI-BOARD-Z/V

Raccord extérieur, acier inox. V2A brossé

H (mm)	Art.-No.	€ / u.	P (u.)
38	V/KB Z 38 EB	5,82	50
50	V/KB Z 50 EB	5,82	50



KERDI-BOARD-Z/V

Schlüter®-KERDI-BOARD-ZI/V

Raccord intérieur, acier inox. V2A brossé

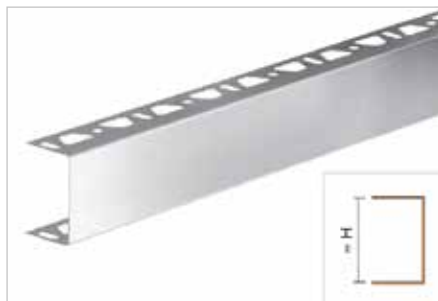
H (mm)	Art.-No.	€ / u.	P (u.)
38	V/KB ZI 38 E	3,60	50
50	V/KB ZI 50 E	3,60	50



KERDI-BOARD-ZI/V

PROFILÉ EN U | ANGLE | RACCORD

Schlüter®-KERDI-BOARD-ZA



Schlüter-KERDI-BOARD-ZA est un profilé en U, en acier inoxydable brossé, avec perforation dans chaque ailette. Il convient pour la finition de cloisons de séparation et de rayonnages.

(Fiche produit 12.1)

Schlüter®-KERDI-BOARD-ZA

Profilé en U, perforé sur les deux ailettes, acier inox. V2A brossé

H (mm)	L = 2,50 m Art.-No.	€ / m	KV (u.)
19	KB ZA 19 EB	17,36	40
28	KB ZA 28 EB	18,74	40
38	KB ZA 38 EB	20,46	40
50	KB ZA 50 EB	22,35	40

Schlüter®-KERDI-BOARD-ZA/E

Angle, perforé sur les deux ailettes, acier inox. V2A brossé

H (mm)	Art.-No.	€ / u.	P (u.)
38	E/KB ZA 38 EB	18,41	10
50	E/KB ZA 50 EB	18,41	10



KERDI-BOARD-ZA/E

Schlüter®-KERDI-BOARD-Z/V

Raccord extérieur, acier inox. V2A brossé

H (mm)	Art.-No.	€ / u.	P (u.)
19	V/KB Z 19 EB	5,82	50
28	V/KB Z 28 EB	5,82	50
38	V/KB Z 38 EB	5,82	50
50	V/KB Z 50 EB	5,82	50



KERDI-BOARD-Z/V

Schlüter®-KERDI-BOARD-ZI/V

Raccord intérieur, acier inox. V2A brossé

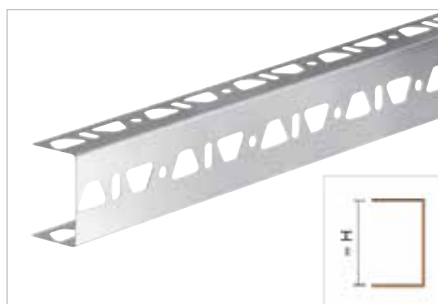
H (mm)	Art.-No.	€ / u.	P (u.)
19	V/KB ZI 19 E	3,60	50
28	V/KB ZI 28 E	3,60	50
38	V/KB ZI 38 E	3,60	50
50	V/KB ZI 50 E	3,60	50



KERDI-BOARD-ZI/V

PROFILÉ EN U

Schlüter®-KERDI-BOARD-ZB



Schlüter-KERDI-BOARD-ZB est un profilé en U en acier inoxydable perforé sur ses trois faces. Il sert à fixer et à stabiliser les structures réalisées avec les panneaux Schlüter-KERDI-BOARD.

(Fiche produit 12.1)

Schlüter®-KERDI-BOARD-ZB

Profilé en U, perforé sur ses trois faces, acier inox. V2A

H (mm)	L = 2,50 m Art.-No.	€ / m	KV (u.)
19	KB ZB 19 E	14,95	40
28	KB ZB 28 E	16,16	40
38	KB ZB 38 E	17,47	40
50	KB ZB 50 E	19,19	40



CHEVILLE À FRAPPER

Schlüter®-KERDI-BOARD-ZSD



Schlüter-KERDI-BOARD-ZSD sont des chevilles à frapper en acier galvanisé ou en acier inoxydable pour la fixation mécanique de Schlüter-KERDI-BOARD sur le support.
(Fiche produit 12.1)

Schlüter®-KERDI-BOARD-ZSD

Chevilles à frapper en acier inox.

L (cm)	Art.-No.	€ / Set	P (Set)
9	KB ZSD 90 E	24,94	10
11	KB ZSD 110 E	28,78	10

Set = 25 u.

Schlüter®-KERDI-BOARD-ZSD

Chevilles à frapper en acier galvanisé

L (cm)	Art.-No.	€ / Set	P (Set)
9	KB ZSD 90 Z	13,38	10
11	KB ZSD 110 Z	15,41	10

Set = 25 u.

RONDELLE DE RETENUE

Schlüter®-KERDI-BOARD-ZT



Schlüter-KERDI-BOARD-ZT sont des rondelles de retenue en acier galvanisé ou en acier inoxydable pour la fixation de Schlüter-KERDI-BOARD sur des systèmes de cloisons sèches.
(Fiche produit 12.1)

Schlüter®-KERDI-BOARD-ZT

Rondelle de retenue en acier inox. Ø 36 mm

Art.-No.	€ / Set	P (Set)
KB ZT 36 E	54,87	10

Set = 100 u.

Schlüter®-KERDI-BOARD-ZT

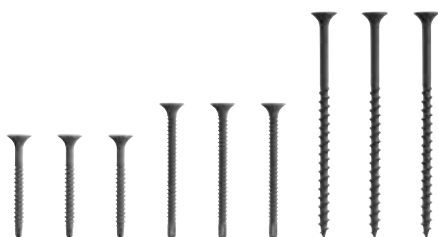
Rondelle de retenue galvanisée Ø 36 mm

Art.-No.	€ / Set	P (Set)
KB ZT 36 Z	19,56	10

Set = 100 u.

VIS DE MONTAGE

Schlüter®-KERDI-BOARD-ZS



Schlüter-KERDI-BOARD-ZS sont des vis de montage pour la fixation de Schlüter-KERDI-BOARD sur des systèmes de cloisons sèches.
(Fiche produit 12.1)

Schlüter®-KERDI-BOARD-ZS

35 mm, filetage fin avec pointe de perçage

Art.-No.	€ / Set	P (Set)
KB ZS 35 FB	6,05	10

Set = 200 u.

Schlüter®-KERDI-BOARD-ZS

55 mm, filetage fin avec pointe de perçage

Art.-No.	€ / Set	P (Set)
KB ZS 55 FB	3,74	10

Set = 100 u.

Schlüter®-KERDI-BOARD-ZS

75 mm, filetage grossier

Art.-No.	€ / Set	P (Set)
KB ZS 75 G	5,54	10

Set = 100 u.

BANDE AUTOCOLLANTE

Schlüter®-KERDI-BOARD-ZDK



Schlüter-KERDI-BOARD-ZDK est un adhésif double face pour le raccordement des panneaux Schlüter-KERDI-BOARD (à coller sur la tranche entre deux panneaux).
(Fiche produit 12.1)

Schlüter®-KERDI-BOARD-ZDK

Adhésif double face

B (mm)	L = 10 m Art.-No.	€ / u.	P (u.)
12	KB ZDK 12/10M	8,26	10
19	KB ZDK 19/10M	12,81	10
30	KB ZDK 30/10M	20,13	10

BANDE DE RENFORT

Schlüter®-KERDI-BOARD-ZSA



Schlüter-KERDI-BOARD-ZSA est une bande de renfort autocollante permettant de ponter les panneaux lors de l'application de couches d'enduit sur Schlüter-KERDI-BOARD.
(Fiche produit 12.1)

Schlüter®-KERDI-BOARD-ZSA

Bande de renfort

100 mm x 45 m Art.-No.	€ / u.	P (u.)
KB ZSA 100/45M	14,71	10

PROFILÉ PLAT

Schlüter®-KERDI-BOARD-ZFP



Schlüter-KERDI-BOARD-ZFP est un profilé plat en plastique qui se colle à l'arrière du profilé en U afin de le renforcer. Il permet d'améliorer la tenue des vis de fixation des ferrures.
(Fiche produit 12.1)

Schlüter®-KERDI-BOARD-ZFP

Profilé plat en plastique

35 mm x 2,50 m Art.-No.	€ / m	P (u.)
KB ZFP 35	3,79	10



Systemes Schlüter

Drainage de balcons et terrasses

La gamme pour balcons Schlüter comprend les profilés de rive Schlüter-BARA et les éléments de gouttières Schlüter-BARIN pour l'évacuation de l'eau des revêtements en céramique ou en pierre naturelle sur les balcons et les terrasses. Ce système est prévu pour une utilisation avec les nattes de drainage Schlüter-TROBA et Schlüter-TROBA-PLUS, la natte de découplage et de protection à l'eau sous carrelage (SPEC) Schlüter-DITRA 25 ainsi qu'avec le système de drainage à capillarité passive Schlüter-DITRA-DRAIN.



Balcons et terrasses

Exemples de constructions 240–243

Protection à l'eau et découplage

Schlüter®-KERDI 244

Schlüter®-DITRA 25 245

Drainage composite

Schlüter®-DITRA-DRAIN 4 245

Schlüter®-DITRA-DRAIN 8 246

Schlüter®-TROBA-PLUS 247

Schlüter®-TROBA-PLUS-G 248

Schlüter®-TROBA 249

Plots terrasses

Schlüter®-TROBA-STELZ 250

Schlüter®-TROBA-LEVEL 251–253

Caniveaux de drainage

Schlüter®-TROBA-LINE-TL 254

Schlüter®-TROBA-LINE-TLR 255

Schlüter®-TROBA-LINE-TLR-E 256

Profilés de rive avec système de fixation de gouttière

Schlüter®-BARA-RTK 259

Schlüter®-BARA-RTKE 260

Schlüter®-BARA-RTKEG 261

Schlüter®-BARA-RKLT 275

Schlüter®-BARA-RTP 276

Profilés de rive

Schlüter®-BARA-RAK 262

Schlüter®-BARA-RAKE 263

Schlüter®-BARA-RAKEG 264

Schlüter®-BARA-RKK 265

Schlüter®-BARA-RW 266

Schlüter®-BARA-RKKE 267

Schlüter®-BARA-RKB 268

Schlüter®-BARA-RT 269

Schlüter®-BARA-RK 270

Schlüter®-BARA-RWL 271

Schlüter®-BARA-RHA 271

Schlüter®-BARA-RKL 272

Schlüter®-BARA-RAP 274

Schlüter®-BARA-FAP 274

Profilés-support de plinthe

Schlüter®-BARA-ESOT 276

Systèmes de gouttière

Schlüter®-BARIN-SR 278

Schlüter®-BARIN-R 279

Accessoires

Schlüter®-TROBA-ZFK 249

Schlüter®-TROBA-LINE-TLK-E 257

Schlüter®-TROBA-LINE-TL/H 257

Schlüter®-KERDI-DRAIN-SP-E 257

Schlüter®-BARA-HV 273

Schlüter®-BARA-STU 277



Construction de balcon avec la natte de découplage et de protection à l'eau sous carrelage (SPEC) Schlüter®-DITRA 25

Schlüter-DITRA 25 est un système de protection à l'eau sous carrelage (SPEC) en liaison avec le revêtement carrelé. La fonction de désolidarisation de la natte neutralise les tensions entre le support et le revêtement, résultant des variations de température. L'humidité résiduelle du support (p. ex. chape fraîche) est évacuée par la fonction d'égalisation de la pression de vapeur de Schlüter-DITRA 25. Les raccords et les jonctions aux murs et aux éléments fixes sont réalisés avec des bandes Schlüter-KERDI-KEBA et la colle Schlüter-KERDI-COLL-L.

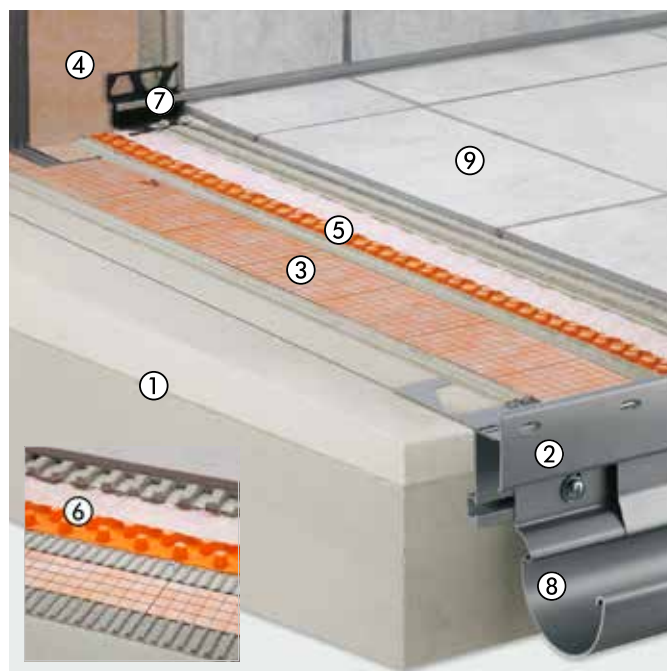


- ① Support avec forme de pente
- ② Schlüter®-BARA-RTKEG
- ③ Schlüter®-DITRA 25
- ④ Schlüter®-KERDI-KEBA
Schlüter®-KERDI-COLL-L
- ⑤ Schlüter®-DILEX-EKE
Schlüter®-DILEX-EF
Schlüter®-DILEX-EK
Schlüter®-DILEX-RF
- ⑥ Schlüter®-RONDEC
Schlüter®-JOLLY
Schlüter®-QUADEC
- ⑦ Schlüter®-BARIN
- ⑧ Carrelage ou pierre naturelle

-
- Page 261
- Page 245
- Page 149
- Page 154
- Page 105
- Page 105
- Page 107
- Page 106
- Page 46
- Page 51
- Page 37
- Page 278
-

Construction de balcon avec la natte de drainage Schlüter®-DITRA-DRAIN

La structure porteuse est protégée contre la pénétration d'eau par la natte d'étanchéité Schlüter-KERDI. La natte de drainage Schlüter-DITRA-DRAIN se pose à l'aide de mortier-colle sur la natte Schlüter-KERDI, avant de coller le revêtement carrelé. Cela assure la ventilation en sous-face de l'ensemble du revêtement et donc un séchage/durcissement rapide et homogène du mortier-colle. Les tensions qui apparaissent sont neutralisées par la fonction de désolidarisation de Schlüter-DITRA-DRAIN.



- ① Support avec forme de pente
- ② Schlüter®-BARA-RTKEG
- ③ Schlüter®-KERDI-200
- ④ Schlüter®-KERDI-KEBA
Schlüter®-KERDI-COLL-L
- ⑤ Schlüter®-DITRA-DRAIN 4
- ⑥ Schlüter®-DITRA-DRAIN 8
- ⑦ Schlüter®-DILEX-EKE
Schlüter®-DILEX-EF
Schlüter®-DILEX-EK
Schlüter®-DILEX-RF
- ⑧ Schlüter®-BARIN
- ⑨ Carrelage ou pierre naturelle

-
- Page 260
- Page 244
- Page 149
- Page 154
- Page 245
- Page 246
- Page 105
- Page 105
- Page 107
- Page 106
- Page 278
-

Construction de faible épaisseur au-dessus d'une étanchéité selon DIN 18531 et DTU 43.1

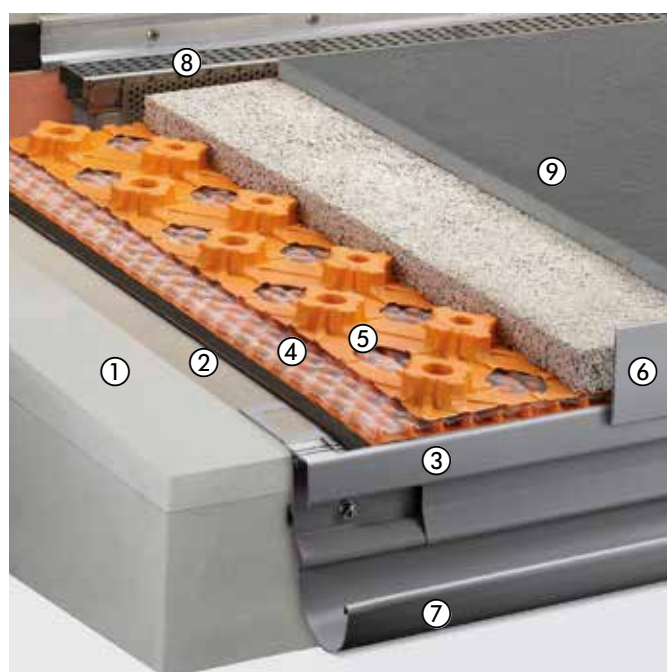
La structure porteuse est protégée par une étanchéité selon DIN 18531 ou DTU 43.1. Schlüter-TROBA-PLUS se pose en tant que drainage entre cette étanchéité et la chape mince Schlüter-BEKOTEC-DRAIN. Le drainage composite capillaire Schlüter-DITRA-DRAIN assure la ventilation en sous-face de l'ensemble du revêtement et donc un séchage/durcissement rapide et homogène du mortier-colle.



- ① Support avec forme de pente -
- ② Étanchéité -
- ③ Schlüter®-BARA-RTK Page 259
- ④ Schlüter®-TROBA-PLUS Page 247
- ⑤ Schlüter®-BEKOTEC-DRAIN Page 286
- ⑥ Schlüter®-KERDI-KEBA Page 149
Schlüter®-KERDI-COLL-L Page 154
- ⑦ Schlüter®-DITRA-DRAIN 4 Page 245
- ⑧ Schlüter®-DILEX-EKE Page 105
Schlüter®-DILEX-EF Page 105
Schlüter®-DILEX-EK Page 107
Schlüter®-DILEX-RF Page 106
- ⑨ Schlüter®-RONDEC Page 46
Schlüter®-JOLLY Page 51
Schlüter®-QUADEC Page 37
- ⑩ Schlüter®-BARA-RT Page 269
- ⑪ Schlüter®-BARIN Page 278
- ⑫ Carrelage ou pierre naturelle -

Construction de faible épaisseur dans un lit de mortier au-dessus d'une étanchéité selon DIN 18531 et DTU 43.1

La structure porteuse est protégée contre la pénétration d'eau par une étanchéité selon DIN 18531 ou DTU 43.1. Pour évacuer l'eau d'infiltration, Schlüter-TROBA-PLUS 8G est posé en tant que drainage entre l'étanchéité et la couche de répartition des charges. Le système Schlüter-BEKOTEC-DRAIN est destiné à recevoir un mortier drainant de faible épaisseur pour une pose scellée de carrelage ou de pierre naturelle. Le revêtement en pierre naturelle est posé frais sur frais dans le lit de mortier.

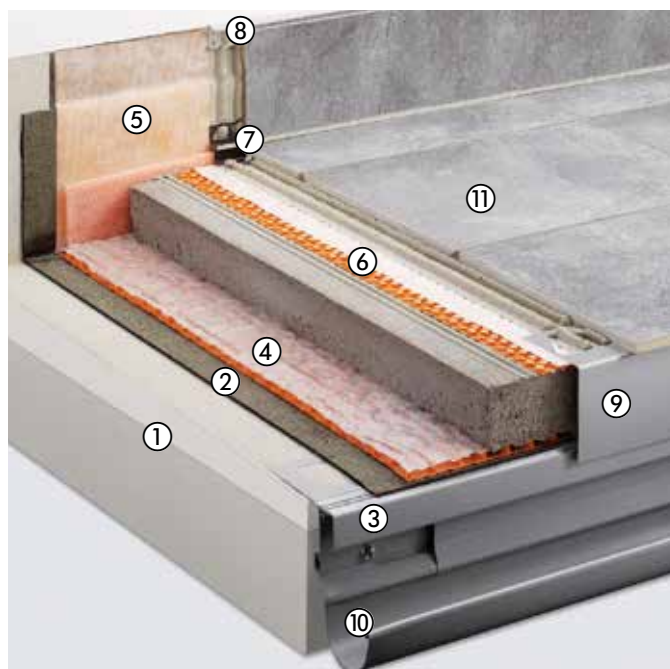


- ① Support avec forme de pente -
- ② Étanchéité -
- ③ Schlüter®-BARA-RTK Page 259
- ④ Schlüter®-TROBA-PLUS 8G Page 248
- ⑤ Schlüter®-BEKOTEC-DRAIN Page 286
- ⑥ Schlüter®-BARA-RT Page 269
- ⑦ Schlüter®-BARIN Page 278
- ⑧ Schlüter®-TROBA-LINE-TL Page 254
- ⑨ Carrelage ou pierre naturelle -



Construction au-dessus d'une étanchéité selon DIN 18195 et DTU 43.1

La structure porteuse est protégée par une étanchéité selon DIN 18195 ou DTU 43.1. Schlüter-TROBA-PLUS est posé en tant que drainage entre l'étanchéité et la chape. Le système de drainage capillaire et de désolidarisation Schlüter-DITRA-DRAIN assure la ventilation en sous-face de l'ensemble du revêtement et donc un séchage/durcissement rapide et homogène du mortier-colle.

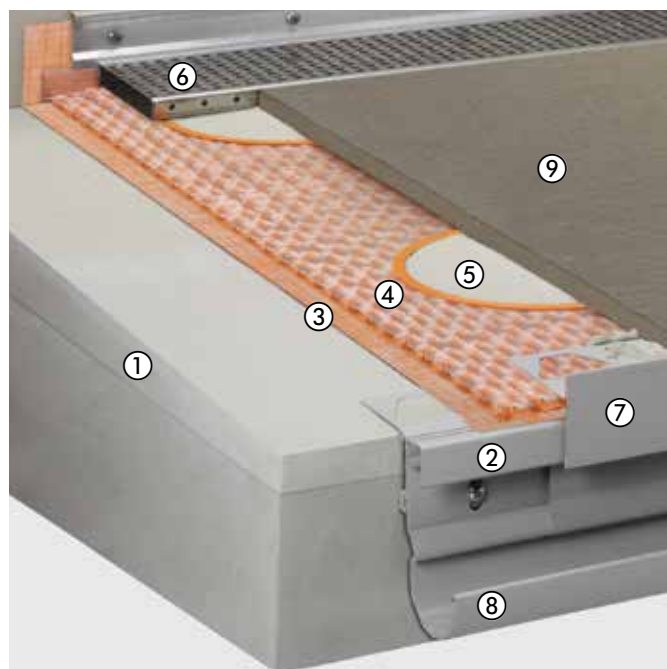


- ① Support avec forme de pente
- ② Étanchéité
- ③ Schlüter®-BARA-RTK
- ④ Schlüter®-TROBA-PLUS
- ⑤ Schlüter®-KERDI-KEBA
Schlüter®-KERDI-COLL-L
- ⑥ Schlüter®-DITRA-DRAIN 4
Schlüter®-DITRA-DRAIN 8
- ⑦ Schlüter®-DILEX-EKE
Schlüter®-DILEX-EF
Schlüter®-DILEX-EK
Schlüter®-DILEX-RF
- ⑧ Schlüter®-RONDEC
Schlüter®-JOLLY
Schlüter®-QUADEC
- ⑨ Schlüter®-BARA-RW
- ⑩ Schlüter®-BARIN
- ⑪ Carrelage ou pierre naturelle

–
–
Page 259
Page 247
Page 149
Page 154
Page 245
Page 246
Page 105
Page 105
Page 107
Page 106
Page 46
Page 51
Page 37
Page 266
Page 278
–

Pose libre sur Schlüter®-TROBA-PLUS 8G

Le drainage de surface résistant à la pression Schlüter-TROBA-PLUS 8G est un support pour des dalles autoportées et garantit une évacuation rapide de l'eau qui pénètre par les joints ouverts des dalles sur la couche d'étanchéité réalisée avec les nattes d'étanchéité Schlüter-KERDI-200. Les disques Schlüter-TROBA-STELZ-DR servent de coffrage pour la réalisation de points d'appui réguliers en mortier-colle pour les dalles autoportées. Ces disques de coffrage peuvent être retirés après la mise en place du mortier-colle et réutilisés.

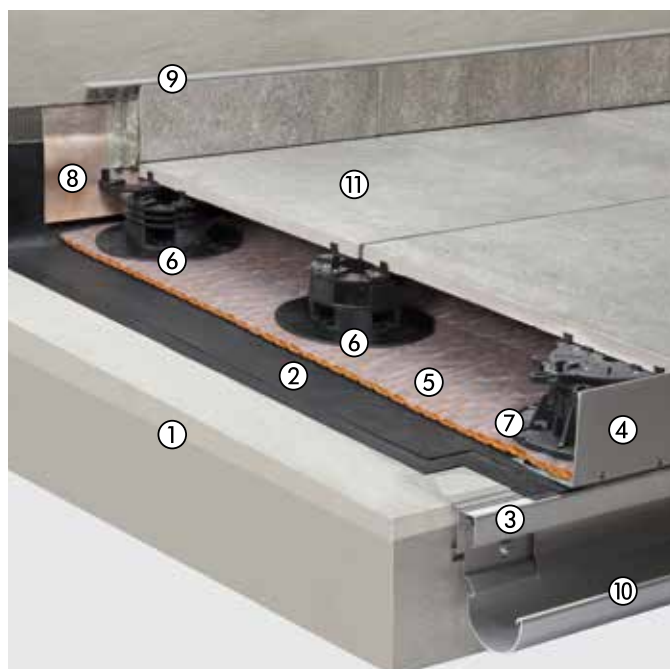


- ① Support avec forme de pente
- ② Schlüter®-BARA-RTK
- ③ Schlüter®-KERDI-200
- ④ Schlüter®-TROBA-PLUS 8G
- ⑤ Schlüter®-TROBA-STELZ-DR
- ⑥ Schlüter®-TROBA-LINE-TL
- ⑦ Schlüter®-BARA-RT
- ⑧ Schlüter®-BARIN
- ⑨ Dalles de grand format

–
Page 259
Page 244
Page 248
Page 250
Page 254
Page 269
Page 278
–

Construction sur supports de dalles

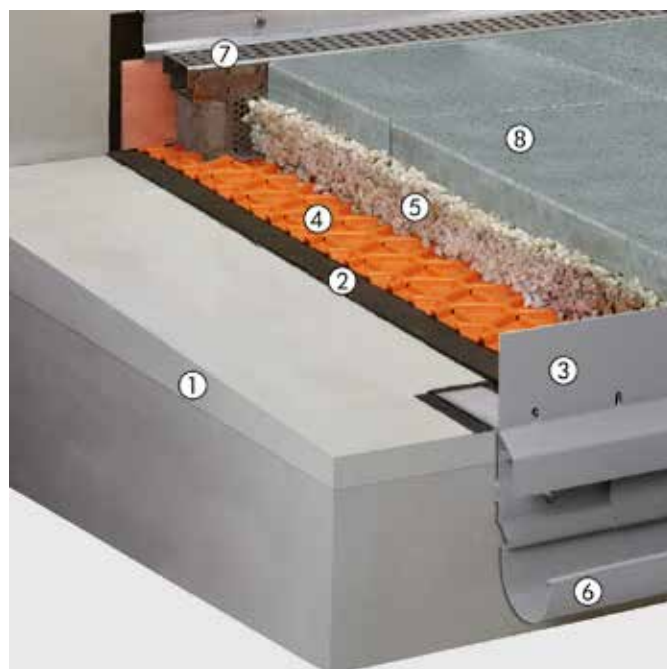
Pouvant être utilisés de diverses manières, les supports de dalles Schlüter-TROBA-LEVEL surélèvent toute la surface du revêtement constituée de dalles autoportées de grand format. Conformément aux exigences du chantier, le revêtement peut être réalisé avec précision, de niveau ou en pente. La structure réalisée assure une évacuation rapide de l'eau qui pénètre par les joints ouverts.



- | | |
|---|----------|
| ① Support avec forme de pente | - |
| ② Étanchéité recouverte, le cas échéant, de la natte de drainage Schlüter®-TROBA-PLUS | - |
| ③ Schlüter®-BARA-RTK | Page 259 |
| ④ Schlüter®-BARA-RWL | Page 271 |
| ⑤ Schlüter®-TROBA-PLUS | Page 247 |
| ⑥ Schlüter®-TROBA-LEVEL-PLA 30 | Page 252 |
| ⑦ Schlüter®-TROBA-LEVEL-PLV 60 | Page 252 |
| ⑧ Schlüter®-KERDI-KEBA | Page 149 |
| Schlüter®-KERDI-COLL-L | Page 154 |
| ⑨ Schlüter®-RONDEC | Page 46 |
| Schlüter®-JOLLY | Page 51 |
| Schlüter®-QUADEC | Page 37 |
| ⑩ Schlüter®-BARIN | Page 278 |
| ⑪ Dalles de grand format | - |

Construction sur lit de gravier/de concassé

La natte de drainage Schlüter-TROBA est utilisée comme couche de protection de l'étanchéité et protège cette dernière contre le poinçonnement dû aux graviers. Cette configuration évite par ailleurs l'apparition de désordres en cas de gel sur la couche d'étanchéité. Elle assure également une évacuation durable de l'eau qui pénètre à travers les joints ouverts des dalles autoportées. Les charges sont transmises par le fond des plots trapézoïdaux dans le support étanché.



- | | |
|---------------------------------|----------|
| ① Support avec forme de pente | - |
| ② Étanchéité | - |
| ③ Schlüter®-BARA-RKLT | Page 275 |
| ④ Schlüter®-TROBA | Page 249 |
| ⑤ Lit de gravier ou de concassé | - |
| ⑥ Schlüter®-BARIN | Page 278 |
| ⑦ Schlüter®-TROBA-LINE-TL | Page 254 |
| ⑧ Dalles de grand format | - |



Pose collée

Avec protection à l'eau et découplage

En raison des changements climatiques parfois extrêmes, la protection à l'eau et le découplage des revêtements carrelés en extérieur et en pose collée sont essentiels. Grâce à Schlüter-DITRA 25 et Schlüter-DITRA-DRAIN, Schlüter-Systems fournit des solutions permettant au carrelage une certaine liberté de mouvement indépendamment du support utilisé et évitant ainsi la présence de tensions dans la structure. Ces systèmes ont déjà fait leurs preuves en extérieur depuis des années dans le monde entier.



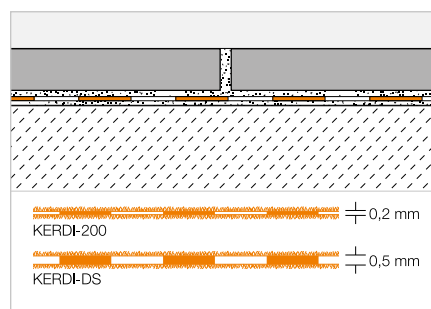
© Villeroy & Boch Fliesen

PROTECTION À L'EAU

Schlüter®-KERDI



Schlüter-KERDI est une natte d'étanchéité en polyéthylène dont les deux faces sont revêtues d'un non-tissé permettant un ancrage efficace dans le mortier-colle. Elle est adaptée notamment pour les protections à l'eau en extérieur réalisées en dessous des drainages de surface à l'aide de Schlüter-TROBA-PLUS ou des drainages composites avec Schlüter-DITRA-DRAIN. (Fiche produit 8.1)



Schlüter®-KERDI-200

Rouleau

L (m)	m ²	Largeur = 1,00 m Art.-No.	€/ m ²	PL (Rouleau)
5	5	KERDI 200 / 5M	21,72	75
10	10	KERDI 200 / 10M	19,60	50
30	30	KERDI 200	17,84	20
Largeur = 1,50 m				
20	30	KERDI 200 150 / 20M	17,84	20
Largeur = 2,00 m				
15	30	KERDI 200 200 / 15M	17,84	20

Schlüter®-KERDI-DS

Pare-vapeur polyéthylène, en rouleau

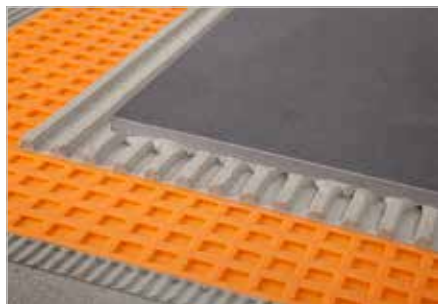
L (m)	Largeur = 1,00 m Art.-No.	€/ m ²	PL (Rouleau)
30	KERDI-DS	20,60	25

Outil conseillé :

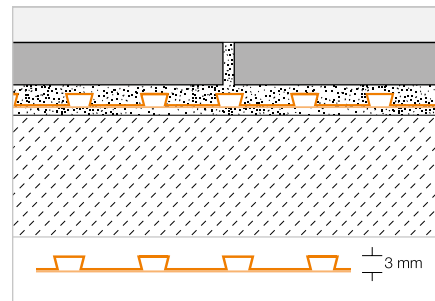
Schlüter-TROWEL, denture 4x4, voir page 291.

DÉCOUPLAGE

Schlüter®-DITRA 25



Schlüter-DITRA 25 est une natte en polyéthylène pourvue de nervures entrecroisées découpées en queue d'aronde et revêtue d'un non-tissé sur sa face inférieure. Elle s'utilise en découplage, en système de protection à l'eau sous carrelage (SPEC) et en couche d'égalisation de la pression de vapeur pour la pose des revêtements carrelés. Pour pose collée. Sous Avis Technique CSTB. (Fiche produit 6.1)



Schlüter®-DITRA 25

Rouleau

L (m)	Largeur = 1,00 m Art.-No.	€/ m ²	PL (Rouleau)
5	DITRA 25 5M	21,03	22
30	DITRA 25 30M	17,43	6

Outil conseillé :

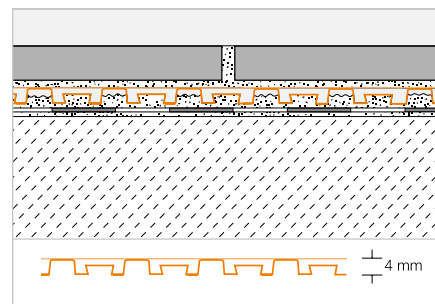
Schlüter-TROWEL, denture 4x4, voir page 291.

DRAINAGE COMPOSITE

Schlüter®-DITRA-DRAIN 4



Schlüter-DITRA-DRAIN 4 est une natte en polyéthylène indéformable avec une structure à plots unilatérale et un non-tissé en polypropylène collé sur la face supérieure. Elle s'utilise en combinaison avec les revêtements carrelés en tant que couche de découplage et/ou drainage composite à capillaire passif durablement efficace. Pour pose collée. (Fiche produit 6.2)



Schlüter®-DITRA-DRAIN 4

Rouleau

L (m)	Largeur = 1,00 m Art.-No.	€/ m ²	PL (Rouleau)
10	DITRA-DRAIN 10M	21,95	12
25	DITRA-DRAIN 25M	19,81	6

Schlüter®-DITRA-DRAIN-STU

Bande de pontage autocollante

L (m)	Largeur = 90 mm Art.-No.	€/ m	P (u.)
5	STUV KB 90/ 5M	7,04	10
30	STUV KB 90/30M	6,22	10



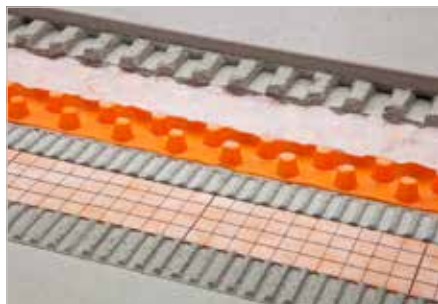
Outil conseillé :

Schlüter-TROWEL, denture 6x6, voir page 291.

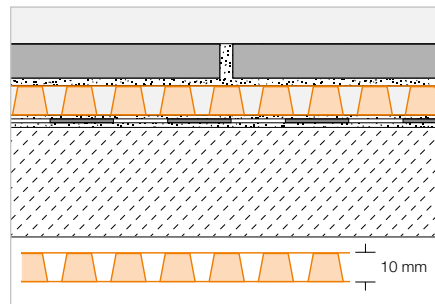


DRAINAGE COMPOSITE

Schlüter®-DITRA-DRAIN 8



Schlüter-DITRA-DRAIN 8 est une natte en polyéthylène indéformable avec une structure à plots spéciale d'un côté. Elle comporte sur sa face inférieure un non-tissé pour l'ancrage dans le mortier-colle et, sur sa face supérieure, un non-tissé filtrant spécial. En tant que couche de découplage et drainage composite à capillaire passif efficace et durable, Schlüter-DITRA-DRAIN 8 est un support universel pour des revêtements carrelés ou en pierre naturelle. Pour pose collée.
(Fiche produit 6.2)



Schlüter®-DITRA-DRAIN 8

Rouleau

L (m)	Largeur = 1,00 m Art.-No.	€/ m ²	PL (Rouleau)
12,5	DITRA-DRAIN 8 12M	21,03	6

Schlüter®-DITRA-DRAIN-STU

Bande de pontage autocollante

L (m)	Largeur = 90 mm Art.-No.	€/ m	P (u.)
5	STUV KB 90/ 5M	7,04	10
30	STUV KB 90/30M	6,22	10

Outil conseillé :

Schlüter-TROWEL, denture 4x4, voir page 291.

Grands formats

Le système idéal



Les dalles de grand format en 2 cm d'épaisseur sont la nouvelle tendance sur les balcons et les terrasses. Pose libre sans mortier-joint. Schlüter-Systems propose une gamme de produits adaptés à ce type de pose. Par exemple Schlüter-TROBA-LEVEL (voir à partir de la page 251), Schlüter-TROBA-PLUS 8G (voir page 248), Schlüter-TROBA-STELZ-DR (voir page 250) et Schlüter-BARA-RKL (voir page 272).

Schlüter®-TROBA-PLUS

Pose rapide – résistance élevée



- ✓ Drainage en pose scellée pour revêtements extérieurs
- ✓ Drainage à capillaire passif
- ✓ Épaisseur de 8 ou 12 mm
- ✓ Résiste à de fortes charges jusqu'à 39 t/m²

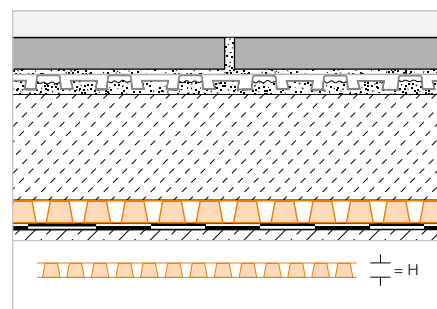
DRAINAGE

Schlüter®-TROBA-PLUS



Schlüter-TROBA-PLUS est une natte de drainage composite assurant une évacuation durable et efficace de l'eau d'infiltration et évitant les remontées par capillarité. Les plots coniques très rapprochés supportent des charges élevées et sont recouverts d'un non-tissé perméable. Ces plots assurent le soutien du revêtement sur toute sa surface et ménagent ainsi un espace de drainage continu. Pour une pose collée, on ajoutera Schlüter-DITRA-DRAIN en drainage et découplage.

(Fiche produit 7.2)



Schlüter®-TROBA-PLUS 8

Rouleau

H (mm)	12,5 x 1 m = 12,5 m ² Art.-No.	€/ m ²	PL (Rouleau)
8	TROBA-PLUS 8	17,44	6

Sous Avis Technique CSTB
Pour pose scellée.

Schlüter®-TROBA-PLUS 12

Rouleau

H (mm)	10 x 1 m = 10 m ² Art.-No.	€/ m ²	PL (Rouleau)
12	TROBA-PLUS 12	19,26	6

Sous Avis Technique CSTB
Pour pose scellée.

Schlüter®-DITRA-DRAIN-STU

Bande de pontage autocollante

L (m)	Largeur = 90 mm Art.-No.	€/ m	P (u.)
5	STUV KB 90/ 5M	7,04	10
30	STUV KB 90/30M	6,22	10



Schlüter®-TROBA-PLUS-G

Drainage de surface capillaire

La solution idéale pour évacuer en toute sécurité les eaux d'infiltration au niveau des balcons et des terrasses :

- ✓ Particulièrement adapté en combinaison avec du mortier drainant
- ✓ Drainage de surface performant
- ✓ Résistance élevée jusqu'à 39 t/m²
- ✓ Le revêtement est soutenu par les plots de forme tronconique
- ✓ L'espace de drainage continu assure la ventilation en sous-face et l'évacuation de l'eau



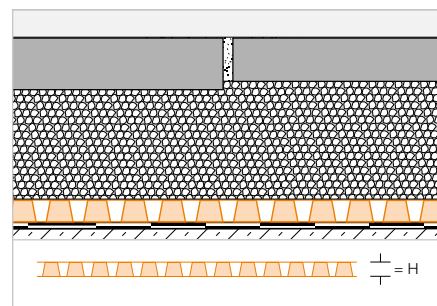
© Villeroy & Boch Fliesen

DRAINAGE

Schlüter®-TROBA-PLUS-G



Schlüter-TROBA-PLUS-G est une natte de drainage composite à capillarité passive assurant une évacuation durable et efficace de l'eau d'infiltration. Les plots coniques très rapprochés supportent des charges élevées et sont recouverts d'un treillis perméable. Ils assurent le soutien du revêtement sur toute sa surface et ménagent ainsi un espace de drainage continu. Schlüter-TROBA-PLUS 8G est particulièrement adapté pour une utilisation en combinaison avec des mortiers drainants. Pour pose scellée. (Fiche produit 7.2)



Schlüter®-TROBA-PLUS 8G

Rouleau

H (mm)	12,5 x 1 m = 12,5 m ² Art.-No.	€/ m ²	PL (Rouleau)
8	TROBA-PLUS 8G	20,36	6

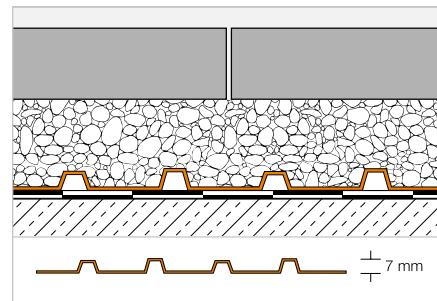
DRAINAGE

Schlüter®-TROBA



Schlüter-TROBA est une couche de drainage et de protection de systèmes d'étanchéité pour des revêtements posés sur couche de gravier ou de concassé. C'est un film structuré en polyéthylène résistant à la pression, avec des orifices disposés latéralement pour une évacuation de l'eau d'infiltration au niveau de l'étanchéité. Schlüter-DITRA 25 sera utilisée sur la chape en tant que désolidarisation et système de protection à l'eau sous carrelage.

(Fiche produit 7.1)



Schlüter®-TROBA-MA

Plaque

1 x 1 m = 1 m ² Art.-No.	€ / m ²	PL (u.)
TROBA-MA	15,95	220

Schlüter®-TROBA-RO

Rouleau

20 x 1 m = 20 m ² Art.-No.	€ / m ²	PL (Rouleau)
TROBA-RO	15,47	6

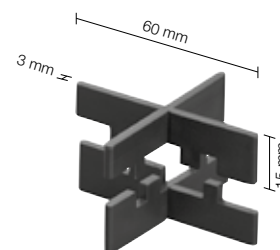
CROISILLON

Schlüter®-TROBA-ZFK



Schlüter-TROBA-ZFK sont des croisillons permettant de réaliser des joints constants lors de la pose libre d'éléments en céramique, de dalles en pierre naturelle ou en béton sur un lit de gravier ou de concassé, par exemple sur Schlüter-TROBA. La largeur des joints est de 3 mm et la hauteur des croisillons est de 15 mm. Il est possible d'atteindre une hauteur de 30 mm en clipsant les croisillons l'un sur l'autre.

(Fiche produit 7.6)



Schlüter®-TROBA-ZFK

Croisillon (3 mm)

H (mm)	Art.-No.	€ / Set	P (Set)
15	TZ FK 3	16,41	60

Set = 50 u.

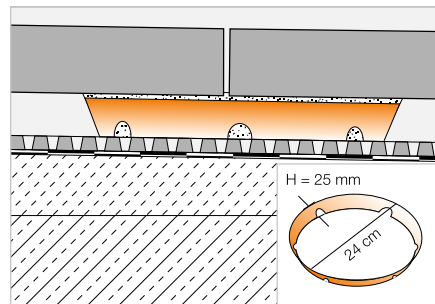


DISQUES DE COFFRAGE

Schlüter®-TROBA-STELZ-MR



Schlüter-TROBA-STELZ-MR sont des disques de coffrage en polyéthylène qui facilitent la pose des dalles de grand format sur des balcons et terrasses. Ces disques de 25 mm de haut sont posés aux points de jonction des dalles.
(Fiche produit 7.3)



Schlüter®-TROBA-STELZ-MR

Disques en polyéthylène

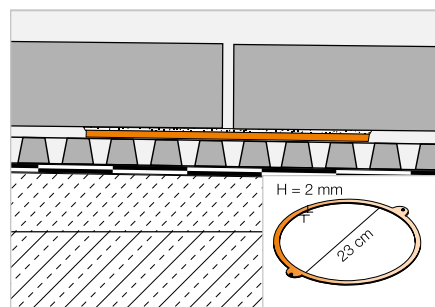
Art.-No.	€ / u.	PL (u.)
TROBA-STELZ	1,27	3000

Set = 50 u.

Schlüter®-TROBA-STELZ-DR



Schlüter-TROBA-STELZ-DR sont des disques de coffrage pour la pose de dalles de grand format sur Schlüter-TROBA-PLUS. Après la mise en œuvre du mortier-colle, ces disques de 2 mm de haut peuvent rester en tant que coffrage perdu ou être retirés et réutilisés.
(Fiche produit 7.5)



Schlüter®-TROBA-STELZ-DR

Disques en polyéthylène

Art.-No.	€ / Set	P (Set)
TROBA-STELZ-DR	10,29	100

Set = 10 u.

Schlüter®-TROBA-LEVEL

Pose libre, fiable et précise



Schlüter-TROBA-LEVEL permet de poser des éléments de dalles autoporteurs de manière rapide, précise et sûre sur des balcons et des terrasses. Un nombre réduit de composants différents, combinables entre eux, permet une mise à niveau fiable du revêtement sur pratiquement tous les pourcentages de pentes et toutes les configurations de chantiers. Et ce, avec des hauteurs de structure à partir de 3 mm !

- ✓ **Compensation des défauts de planéité p. ex. au-dessus de cordons de soudure de l'étanchéité**
- ✓ **Pose parfaitement stable et de niveau, au millimètre près**
- ✓ **Protection anti-dévisage**
- ✓ **Frein anti-vibrations – empêche tout dérèglement sous l'effet des vibrations**

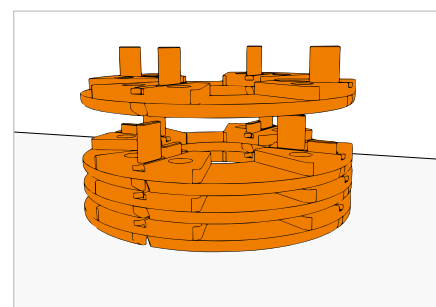
DISQUES DE COFFRAGE

Schlüter®-TROBA-LEVEL-PL 10



TROBA-LEVEL-PL 10 sont des supports de dalles empilables pour la pose de dalles, indépendamment du format et de l'épaisseur. Ils sont fabriqués à partir d'une matière plastique spéciale, insonorisante, et peuvent se poser directement sur l'étanchéité. Les écarteurs de 3 mm de large garantissent des joints réguliers et sont capables d'absorber les mouvements dans le revêtement. Schlüter-TROBA-LEVEL-PL 10 peuvent être superposés jusqu'à une hauteur de 200 mm et sont combinables avec d'autres supports de dalles de la gamme.

(Fiche produit 7.6)



Schlüter®-TROBA-LEVEL-PL 10

Support de dalles PE Ø 120 mm

H (mm)	Art.-No.	€ / u.	P (u.)
10	TL PL 10	2,71	100

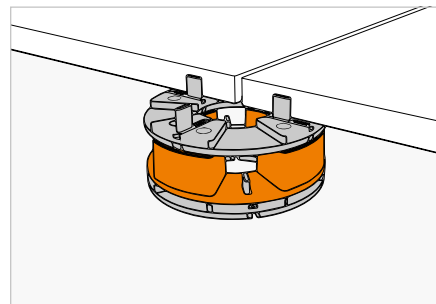


DISQUES DE COFFRAGE

Schlüter®-TROBA-LEVEL-PLA 30



TROBA-LEVEL-PLA 30 sont des rehausses pour les supports de dalles. A partir d'une hauteur de structure de 50 mm, il est possible d'utiliser une ou plusieurs rehausses TROBA-LEVEL-PLA 30 entre deux supports de dalles Schlüter-TROBA-LEVEL-PL 10. Schlüter-TROBA-LEVEL-PLA 30 peuvent être superposés jusqu'à une hauteur de 300 mm et sont combinables avec les supports de dalles Schlüter-TROBA-LEVEL-PLV 60 et Schlüter-TROBA-LEVEL-LV 3.



Schlüter®-TROBA-LEVEL-PLA 30

Rehausses PE Ø 120 mm

H (mm)	Art.-No.	€ / u.	P (u.)
30	TL PLA 30	3,28	52

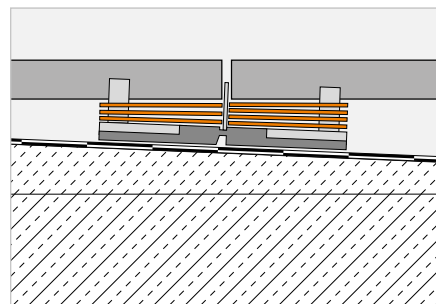
(Fiche produit 7.6)



Schlüter®-TROBA-LEVEL-AP 1



Les cales de compensation Schlüter-TROBA-LEVEL-AP 1 servent à ajuster précisément les dalles en fonction de la pente. Il est ainsi possible de compenser les différences d'épaisseur des dalles, les défauts de planéité du support ou une légère pente jusqu'à 10 mm par angle de dalle.



(Fiche produit 7.6)

Schlüter®-TROBA-LEVEL-AP 1

Cales de compensation en PE

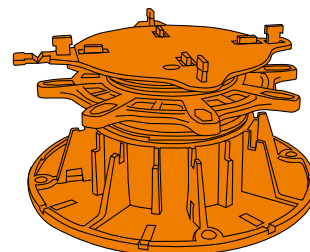
H (mm)	Art.-No.	€ / Set	P (Set)
1	TL AP 1	35,54	8

Set = 250 u.

Schlüter®-TROBA-LEVEL-PLV 60



Schlüter-TROBA-LEVEL-PLV 60 sont des supports de dalles pivotants qui peuvent être ajustés entre 60 et 130 mm par une bague de réglage et deux filetages en sens opposé. La surface de réception des dalles, identique en partie supérieure (Ø 120 mm), autorise un empilement sur mesure avec Schlüter-TROBA-LEVEL-PL 10 et -PLA 30. Les ajustages et la compensation de la pente sont réalisés si nécessaire avec des cales de compensation Schlüter-TROBA-LEVEL-AP 1. La superposition de deux Schlüter-TROBA-LEVEL-PLV 60 ou plus permet d'atteindre des hauteurs de structure jusqu'à 520 mm. La partie supérieure des dalles est dotée d'écarteurs de 3 mm d'épaisseur et dispose d'un écarteur de bordure supplémentaire.



Schlüter®-TROBA-LEVEL-PLV 60

Support de dalles PP Ø embase 200 mm

H (mm)	Art.-No.	€ / u.	P (u.)
60-130	TL PLV 60	10,50	48

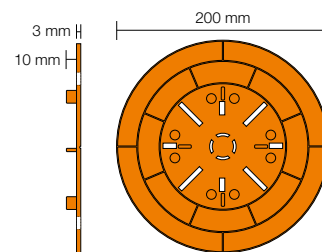
(Fiche produit 7.6)

DISQUES DE COFFRAGE

Schlüter®-TROBA-LEVEL-LV 3



Schlüter-TROBA-LEVEL-LV 3 sont des supports de dalles pour la répartition des charges, en liaison avec Schlüter-TROBA-LEVEL-PL 10, -PLA 30 et -AP 1. Ces supports de dalles permettent aussi de réaliser des structures de faible hauteur. Schlüter-TROBA-LEVEL-LV 3 est recoupable et possède des écarteurs de 3 mm d'épaisseur. (Fiche produit 7.6)



Schlüter®-TROBA-LEVEL-LV 3

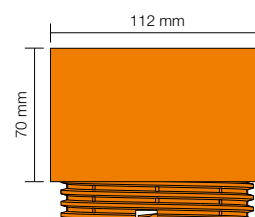
Support de dalles PP Ø 200 mm

H (mm)	Art.-No.	€ / u.	P (u.)
3	TL LV 3	4,37	100

Schlüter®-TROBA-LEVEL-PLA 70



Schlüter-TROBA-LEVEL-PLA 70 sont des rehausse à visser pour supports de dalles. Elles se vissent dans les supports de dalles de Schlüter-TROBA-LEVEL-PLV 60. (Fiche produit 7.6)



Schlüter®-TROBA-LEVEL-PLA 70

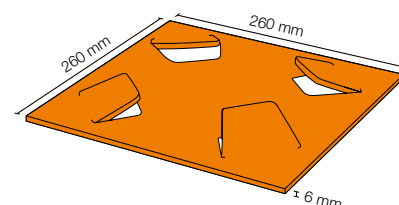
Rehausse à visser PP

H (mm)	Art.-No.	€ / u.	P (u.)
70	TL PLA 70	6,67	30

Schlüter®-TROBA-LEVEL-PLS 6



Schlüter-TROBA-LEVEL-PLS 6 sont des patins à base de granulats de caoutchouc, destinés à la protection de l'étanchéité. Les embases de Schlüter-TROBA-LEVEL-PLV 60 ou Schlüter-TROBA-LEVEL-LV 3 doivent être fixées dans les fentes du patin de protection Schlüter-TROBA-LEVEL-PLS 6 (6 mm). Pour des étanchéités en PVC, poser la couche de séparation en alu du patin de protection vers le bas. Lors de l'utilisation de Schlüter-TROBA-LEVEL-PL 10, positionner ces derniers au milieu des patins. (Fiche produit 7.6)



Schlüter®-TROBA-LEVEL-PLS 6

Patins, granulats de caoutchouc

H (mm)	Art.-No.	€ / Set	P (Set)
6	TL PLS 6	27,89	5

Set = 10 u.

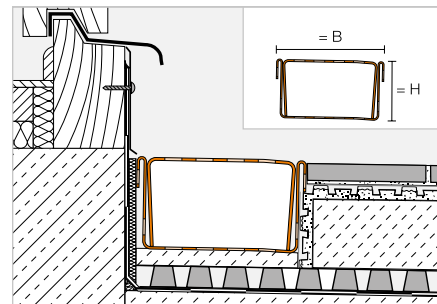


CANIVEAU DE DRAINAGE | RENFORT

Schlüter®-TROBA-LINE-TL



Schlüter-TROBA-LINE-TL est un caniveau en acier inoxydable V2A qui peut être monté sur des balcons et terrasses. On évitera ainsi l'eau de refoulement devant les huisseries. La partie inférieure existe en version perforée ou fermée.
(Fiche produit 7.4)



Schlüter®-TROBA-LINE-TL

Acier inox. V2A, caniveau perforé, B = 75 mm

H (mm)	L = 2,00 m Art.-No.	€ / u.	KV (u.)
20	TL2 V2A 75/200	201,79	60
40	TL4 V2A 75/200	240,27	60
L = 1,50 m			
20	TL2 V2A 75/150	155,82	60
40	TL4 V2A 75/150	184,72	60
L = 1,00 m			
20	TL2 V2A 75/100	109,88	60
40	TL4 V2A 75/100	129,14	60
L = 0,75 m			
20	TL2 V2A 75/ 75	86,90	60
40	TL4 V2A 75/ 75	101,34	60

Schlüter®-TROBA-LINE-TL

Acier inox. V2A, caniveau perforé, B = 110 mm

H (mm)	L = 2,00 m Art.-No.	€ / u.	KV (u.)
20	TL2 V2A 110/200	237,64	40
40	TL4 V2A 110/200	276,11	40
L = 1,50 m			
20	TL2 V2A 110/150	182,75	40
40	TL4 V2A 110/150	211,61	40
L = 1,00 m			
20	TL2 V2A 110/100	127,83	40
40	TL4 V2A 110/100	147,08	40
L = 0,75 m			
20	TL2 V2A 110/ 75	100,38	40
40	TL4 V2A 110/ 75	114,79	40

Schlüter®-TROBA-LINE-TL

Acier inox. V2A, caniveau perforé, B = 160 mm

H (mm)	L = 2,00 m Art.-No.	€ / u.	KV (u.)
20	TL2 V2A 160/200	290,53	40
40	TL4 V2A 160/200	329,00	40
L = 1,50 m			
20	TL2 V2A 160/150	222,41	40
40	TL4 V2A 160/150	251,24	40
L = 1,00 m			
20	TL2 V2A 160/100	154,27	40
40	TL4 V2A 160/100	173,48	40
L = 0,75 m			
20	TL2 V2A 160/ 75	120,20	40
40	TL4 V2A 160/ 75	134,63	40

Schlüter®-TROBA-LINE-TLG

Acier inox. V2A, caniveau fermé, B = 75 mm

H (mm)	L = 2,00 m Art.-No.	€ / u.	KV (u.)
20	TLG2 V2A 75/200	201,79	60
40	TLG4 V2A 75/200	240,27	60
L = 1,50 m			
20	TLG2 V2A 75/150	155,82	60
40	TLG4 V2A 75/150	184,72	60
L = 1,00 m			
20	TLG2 V2A 75/100	109,88	60
40	TLG4 V2A 75/100	129,14	60
L = 0,75 m			
20	TLG2 V2A 75/ 75	86,90	60
40	TLG4 V2A 75/ 75	101,34	60

Schlüter®-TROBA-LINE-TLG

Acier inox. V2A, caniveau fermé, B = 110 mm

H (mm)	L = 2,00 m Art.-No.	€ / u.	KV (u.)
20	TLG2 V2A 110/200	237,64	40
40	TLG4 V2A 110/200	276,11	40
L = 1,50 m			
20	TLG2 V2A 110/150	182,75	40
40	TLG4 V2A 110/150	211,61	40
L = 1,00 m			
20	TLG2 V2A 110/100	127,83	40
40	TLG4 V2A 110/100	147,08	40
L = 0,75 m			
20	TLG2 V2A 110/ 75	100,38	40
40	TLG4 V2A 110/ 75	114,79	40

Schlüter®-TROBA-LINE-TLG

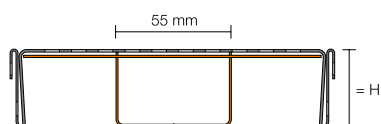
Acier inox. V2A, caniveau fermé, B = 160 mm

H (mm)	L = 2,00 m Art.-No.	€ / u.	KV (u.)
20	TLG2 V2A 160/200	290,53	40
40	TLG4 V2A 160/200	329,00	40
L = 1,50 m			
20	TLG2 V2A 160/150	222,41	40
40	TLG4 V2A 160/150	251,24	40
L = 1,00 m			
20	TLG2 V2A 160/100	154,27	40
40	TLG4 V2A 160/100	173,48	40
L = 0,75 m			
20	TLG2 V2A 160/ 75	120,20	40
40	TLG4 V2A 160/ 75	134,63	40

Schlüter®-TROBA-LINE-TL/V

Renfort pour TL et TLG, acier inox. V2A

H (mm)	L = 2,00 m Art.-No.	€ / u.	KV (u.)
20	TL2 V / 200	92,30	60
40	TL4 V / 200	115,03	60
	L = 1,50 m		
20	TL2 V / 150	69,23	60
40	TL4 V / 150	86,26	60


Schlüter®-TROBA-LINE-TL/V

Renfort pour TL et TLG, acier inox. V2A

H (mm)	L = 1,00 m Art.-No.	€ / u.	KV (u.)
20	TL2 V / 100	46,12	60
40	TL4 V / 100	57,54	60
	L = 0,75 m		
20	TL2 V / 75	34,59	60
40	TL4 V / 75	43,13	60

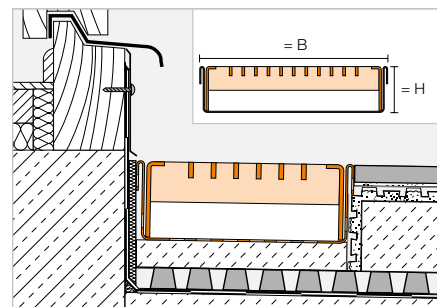
Nota :

Chaque caniveau de drainage Schlüter-TROBA-LINE-TL est livré avec deux embouts.

En cas de sollicitations élevées, par exemple passage de piétons ou de fauteuils roulants, il est préférable d'utiliser le renfort Schlüter-TROBA-LINE-TL/V pour les largeurs 110 et 160 mm (à commander séparément).

CANIVEAU DE DRAINAGE
Schlüter®-TROBA-LINE-TLR


Schlüter-TROBA-LINE-TLR est un caniveau de drainage avec une partie inférieure en acier inoxydable V2A et une grille de drainage supérieure en acier galvanisé. On l'utilisera afin d'empêcher l'eau de s'accumuler devant les huisseries des terrasses et balcons. La partie inférieure existe en version perforée ou fermée. Peut supporter des charges élevées. (Fiche produit 7.4)


Schlüter®-TROBA-LINE-TLR

Caniveau perforé, grille galvanisée, B = 110 mm

H (mm)	L = 2,00 m Art.-No.	€ / u.	KV (u.)
20	TL2 R 110/200	247,49	40
40	TL4 R 110/200	354,29	40
	L = 1,50 m		
20	TL2 R 110/150	205,63	40
40	TL4 R 110/150	301,42	40
	L = 1,00 m		
20	TL2 R 110/100	132,72	40
40	TL4 R 110/100	186,15	40
	L = 0,75 m		
20	TL2 R 110/ 75	111,80	40
40	TL4 R 110/ 75	159,73	40

Schlüter®-TROBA-LINE-TLR

Caniveau perforé, grille galvanisée, B = 160 mm

H (mm)	L = 2,00 m Art.-No.	€ / u.	KV (u.)
20	TL2 R 160/200	300,32	40
40	TL4 R 160/200	403,81	40
	L = 1,50 m		
20	TL2 R 160/150	249,86	40
40	TL4 R 160/150	343,19	40
	L = 1,00 m		
20	TL2 R 160/100	159,16	40
40	TL4 R 160/100	210,93	40
	L = 0,75 m		
20	TL2 R 160/ 75	133,92	40
40	TL4 R 160/ 75	180,57	40

Nota :

Chaque caniveau de drainage Schlüter-TROBA-LINE-TLR est livré avec deux embouts. La grille de Schlüter-TROBA-LINE-TLR et TLRG en 1,50 m et 2,00 m est en deux parties (2 x 0,75 m ou 2 x 1,00 m).

Schlüter®-TROBA-LINE-TLGR

Caniveau fermé, grille galvanisée, B = 110 mm

H (mm)	L = 2,00 m Art.-No.	€ / u.	KV (u.)
40	TLG4 R 110/200	354,29	40
	L = 1,50 m		
40	TLG4 R 110/150	245,51	40
	L = 1,00 m		
40	TLG4 R 110/100	186,15	40
	L = 0,75 m		
40	TLG4 R 110/ 75	131,73	40

Schlüter®-TROBA-LINE-TLGR

Caniveau fermé, grille galvanisée, B = 160 mm

H (mm)	L = 2,00 m Art.-No.	€ / u.	KV (u.)
40	TLG4 R 160/200	403,81	40
	L = 1,50 m		
40	TLG4 R 160/150	343,19	40
	L = 1,00 m		
40	TLG4 R 160/100	210,93	40
	L = 0,75 m		
40	TLG4 R 160/ 75	180,57	40



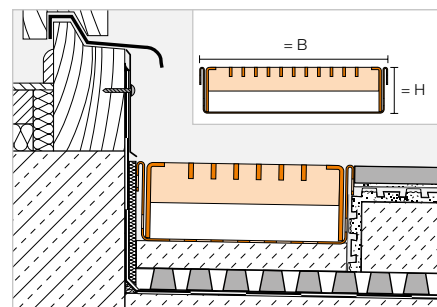
CANIVEAU DE DRAINAGE

Schlüter®-TROBA-LINE-TLR-E



Schlüter-TROBA-LINE-TLR-E est un caniveau de drainage avec grille en acier inoxydable V2A poli. On l'utilisera afin d'empêcher l'eau de s'accumuler devant les huisseries des terrasses et balcons. La partie inférieure existe en version perforée ou fermée. Peut supporter des charges élevées.

(Fiche produit 7.4)



Schlüter®-TROBA-LINE-TLR-E

Caniveau perforé, grille acier inox. V2A, B = 110 mm

H (mm)	L = 2,00 m Art.-No.	€ / u.	KV (u.)
20	TL2 R EP 110/200	408,65	40
40	TL4 R EP 110/200	528,23	40
L = 1,50 m			
20	TL2 R EP 110/150	351,60	40
40	TL4 R EP 110/150	457,11	40
L = 1,00 m			
20	TL2 R EP 110/100	213,26	40
40	TL4 R EP 110/100	273,06	40
L = 0,75 m			
20	TL2 R EP 110/ 75	184,75	40
40	TL4 R EP 110/ 75	237,50	40

Schlüter®-TROBA-LINE-TLR-E

Caniveau perforé, grille acier inox. V2A, B = 160 mm

H (mm)	L = 2,00 m Art.-No.	€ / u.	KV (u.)
20	TL2 R EP 160/200	535,33	40
40	TL4 R EP 160/200	654,56	40
L = 1,50 m			
20	TL2 R EP 160/150	465,42	40
40	TL4 R EP 160/150	565,37	40
L = 1,00 m			
20	TL2 R EP 160/100	276,60	40
40	TL4 R EP 160/100	336,19	40
L = 0,75 m			
20	TL2 R EP 160/ 75	241,64	40
40	TL4 R EP 160/ 75	291,61	40

Nota :

Chaque caniveau de drainage Schlüter-TROBA-LINE-TLR-E est livré avec deux embouts. La grille de Schlüter-TROBA-LINE-TLR-E en 1,50 m et 2,00 m est en deux parties (2 x 0,75 m ou 2 x 1,00 m).

Schlüter®-TROBA-LINE-TLGR-E

Caniveau fermé, grille acier inox. V2A, B = 110 mm

H (mm)	L = 2,00 m Art.-No.	€ / u.	KV (u.)
40	TLG4 R EP 110/200	528,23	40
L = 1,50 m			
40	TLG4 R EP 110/150	457,11	40
L = 1,00 m			
40	TLG4 R EP 110/100	273,06	40
L = 0,75 m			
40	TLG4 R EP 110/ 75	237,50	40

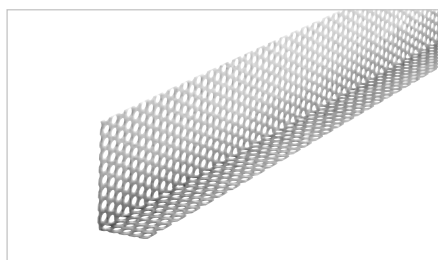
Schlüter®-TROBA-LINE-TLGR-E

Caniveau fermé, grille acier inox. V2A, B = 160 mm

H (mm)	L = 2,00 m Art.-No.	€ / u.	KV (u.)
40	TLG4 R EP 160/200	654,56	40
L = 1,50 m			
40	TLG4 R EP 160/150	565,37	40
L = 1,00 m			
40	TLG4 R EP 160/100	336,19	40
L = 0,75 m			
40	TLG4 R EP 160/ 75	291,61	40

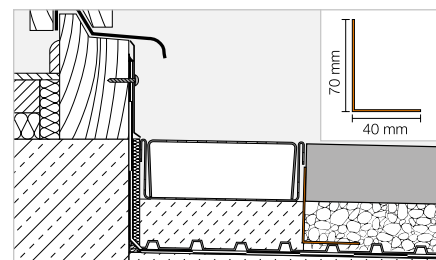
PROFILÉ DE RETENUE DE GRAVIER

Schlüter®-TROBA-LINE-TLK-E



Schlüter-TROBA-LINE-TLK-E est un profilé de retenue de gravier en acier inoxydable V2A servant à délimiter le revêtement ou la couche de répartition des charges.

(Fiche produit 7.4)



Schlüter®-TROBA-LINE-TLK-E

Acier inox. V2A

L (cm)	Art.-No.	€ / u.	KV (u.)
75	TLKE 4070 / 75	36,43	40
100	TLKE 4070 / 100	40,71	40

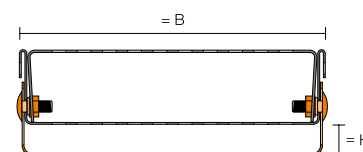
RÉGLAGE EN HAUTEUR

Schlüter®-TROBA-LINE-TL/H



Schlüter-TROBA-LINE-TL/H est un dispositif de réglage en hauteur permettant un ajustage des caniveaux de drainage perforés Schlüter-TROBA-LINE-TL et -TLR en hauteur 40 mm.

(Fiche produit 7.4)



Schlüter®-TROBA-LINE-TL/H

Réglage en hauteur, B = 75 mm

H (mm)	L = 135 mm Art.-No.	€ / Kit	KV (kit)
0-20	TL2 H 75*	21,38	40
20-40	TL4 H 75**	22,85	40

Hauteurs variables * 0-20 mm / ** 20-40 mm

Schlüter®-TROBA-LINE-TL/H

Réglage en hauteur, B = 110 mm

H (mm)	L = 135 mm Art.-No.	€ / Kit	KV (kit)
0-20	TL2 H 110*	22,79	40
20-40	TL4 H 110**	24,28	40

Kit avec 4 vis

Schlüter®-TROBA-LINE-TL/H

Réglage en hauteur, B = 160 mm

H (mm)	L = 135 mm Art.-No.	€ / Kit	KV (kit)
0-20	TL2 H 160*	24,88	40
20-40	TL4 H 160**	26,36	40

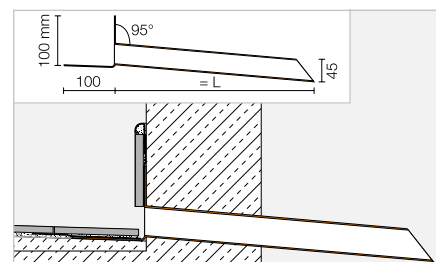
GARGOUILLE

Schlüter®-KERDI-DRAIN-SP-E



Schlüter-KERDI-DRAIN-SP-E est une gorguille en acier inoxydable pour l'évacuation de l'eau de surface des balcons et terrasses entourés par un acrotère ou un muret. La colerette Schlüter-KERDI assure l'étanchéité du raccord sur la platine.

(Fiche produit 8.5)



Schlüter®-KERDI-DRAIN-SP-E

Acier inox. V2A

L (cm)	Art.-No.	€ / Kit	P (kit)
25	KD SPE 45/25	105,69	10
40	KD SPE 45/40	112,30	10



Profils de rives Schlüter®-BARA pour balcons et terrasses

Couverture, protection, support

Quelle que soit la configuration de votre balcon, les profils de rive Schlüter-BARA vous garantissent une finition parfaite. Ils couvrent non seulement le système mis en œuvre, mais protègent en même temps de manière efficace les chants des balcons et terrasses. Un grand nombre de nos profils sont également disponibles avec un rail pour une fixation simple de notre système de gouttière BARIN.



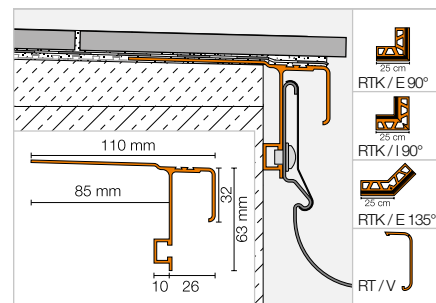
PROFILÉ DE RIVE AVEC FIXATION DE SYSTÈME DE GOUTTIÈRE

Schlüter®-BARA-RTK



Schlüter-BARA-RTK est un profilé de rive avec rejeteau, destiné à être posé sur une forme de pente. Il comporte un rail pour la fixation du système de gouttière Schlüter-BARIN. Les carreaux peuvent être posés avec un débord de 5 mm. La réservation au-dessus du rejeteau permet de poser un Schlüter-JOLLY-AC ou -RONDEC-AC qui cachera le chant du carreau. Pour pose collée.

(Fiche produit 5.9)



Schlüter®-BARA-RTK

Alu. coloré

L = 2,50 m Art.-No.	€ / m	KV (u.)
RTK 30 ...*	37,77	40

ANGLE | CAPUCHON DE FERMETURE | RACCORD

Schlüter®-BARA-RTK/E 90°

Angle sortant 90°

Art.-No.	€ / u.	P (u.)
E90 / RTK 30 ...*	47,96	10

Schlüter®-BARA-RTK/E 135°

Angle sortant 135°

Art.-No.	€ / u.	P (u.)
E135 / RTK 30 ...*	52,81	10

Schlüter®-BARA-RTK/I 90°

Angle rentrant 90°

Art.-No.	€ / u.	P (u.)
I90 / RTK 30 ...*	47,96	10

Schlüter®-BARA-RT/EK

Capuchon de fermeture

Art.-No.	€ / u.	P (u.)
E / RT 30 ...*	2,75	50

Schlüter®-BARA-RTK/V

Raccord

Art.-No.	€ / u.	P (u.)
V / RT 30 ...*	2,83	50

Art.-No. à compléter avec la couleur (exemple : V / RT 30 RB)



* Coloris : BW - GM - HB - PG - RB - SB

Vous trouverez un récapitulatif des finitions et des couleurs à partir de la page 293.



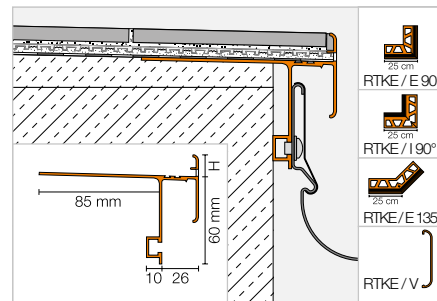
PROFILÉ DE RIVE AVEC FIXATION DE SYSTÈME DE GOUTTIÈRE

Schlüter®-BARA-RTKE



Schlüter-BARA-RTKE est un profilé de rive avec rejeteau, destiné à être posé sur une forme de pente. Il comporte un rail pour la fixation du système de gouttière Schlüter-BARIN. Le profilé BARA-RTKE est particulièrement adapté à la pose en combinaison avec le drainage composite Schlüter-DITRA-DRAIN. La partie supérieure du profilé permet de réaliser une finition soignée du revêtement carrelé. Pose collée.

(Fiche produit 5.21)



Schlüter®-BARA-RTKE

Alu. coloré

H (mm)	L = 2,50 m Art.-No.	€ / m	KV (u.)
10	RTKE 10 ...*	45,61	40
15	RTKE 15 ...*	46,09	40
18	RTKE 18 ...*	47,25	40
21	RTKE 21 ...*	48,24	40
23	RTKE 23 ...*	49,69	40

Nota :

La hauteur de profilé 23 mm convient aussi pour une utilisation en liaison avec Schlüter-DITRA-DRAIN 8.

La hauteur H indiquée sur le schéma doit prendre en compte la hauteur de la natte + la hauteur du carreau.

ANGLE | RACCORD

Schlüter®-BARA-RTKE/E 90°

Angle sortant 90°

H (mm)	Art.-No.	€ / u.	P (u.)
10	E90 / RTKE 10 ...*	55,07	10
15	E90 / RTKE 15 ...*	55,07	10
18	E90 / RTKE 18 ...*	55,07	10
21	E90 / RTKE 21 ...*	55,07	10
23	E90 / RTKE 23 ...*	55,07	10

Schlüter®-BARA-RTKE/E 135°

Angle sortant 135°

H (mm)	Art.-No.	€ / u.	P (u.)
10	E135 / RTKE 10 ...*	55,07	10
15	E135 / RTKE 15 ...*	55,07	10
18	E135 / RTKE 18 ...*	55,07	10
21	E135 / RTKE 21 ...*	55,07	10
23	E135 / RTKE 23 ...*	55,07	10

Schlüter®-BARA-RTKE/I 90°

Angle rentrant 90°

H (mm)	Art.-No.	€ / u.	P (u.)
10	I90 / RTKE 10 ...*	55,07	10
15	I90 / RTKE 15 ...*	55,07	10
18	I90 / RTKE 18 ...*	55,07	10
21	I90 / RTKE 21 ...*	55,07	10
23	I90 / RTKE 23 ...*	55,07	10

Schlüter®-BARA-RTKE/V

Raccord

H (mm)	Art.-No.	€ / u.	P (u.)
10	V / RTKE 10 ...*	3,08	50
15	V / RTKE 15 ...*	3,08	50
18	V / RTKE 18 ...*	3,08	50
21	V / RTKE 21 ...*	3,08	50
23	V / RTKE 23 ...*	3,08	50

Art.-No. à compléter avec la couleur (exemple : V / RTKE 10 PG)



* Coloris : GM - PG

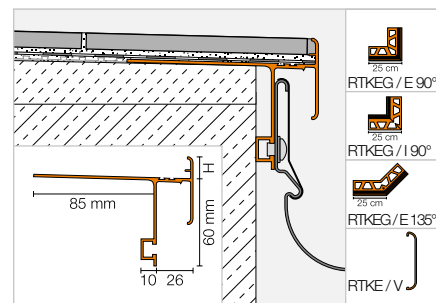
Vous trouverez un récapitulatif des finitions et des couleurs à partir de la page 293.

PROFILÉ DE RIVE AVEC FIXATION DE SYSTÈME DE GOUTTIÈRE

Schlüter®-BARA-RTKEG



Schlüter-BARA-RTKEG est un profilé de rive avec rejetau, destiné à être posé sur une forme de pente. Il comporte un rail pour la fixation du système de gouttière Schlüter-BARIN. Le profilé est destiné à être posé en liaison avec la natte de découplage Schlüter-DITRA 25. Le bord fermé du profilé permet de réaliser une finition soignée du revêtement carrelé. Pose collée.
(Fiche produit 5.21)



Schlüter®-BARA-RTKEG

Alu. coloré

H (mm)	L = 2,50 m Art.-No.	€ / m	KV (u.)
4	RTKEG 4 ...*	35,82	40
10	RTKEG 10 ...*	36,29	40
15	RTKEG 15 ...*	36,94	40
18	RTKEG 18 ...*	38,19	40
21	RTKEG 21 ...*	39,11	40

ANGLE | RACCORD

Schlüter®-BARA-RTKEG/E 90°

Angle sortant 90°

H (mm)	Art.-No.	€ / u.	P (u.)
4	E90 / RTKEG 4 ...*	49,59	10
10	E90 / RTKEG 10 ...*	49,59	10
15	E90 / RTKEG 15 ...*	49,59	10
18	E90 / RTKEG 18 ...*	49,59	10
21	E90 / RTKEG 21 ...*	49,59	10

Schlüter®-BARA-RTKEG/E 135°

Angle sortant 135°

H (mm)	Art.-No.	€ / u.	P (u.)
4	E135 / RTKEG 4 ...*	49,59	10
10	E135 / RTKEG 10 ...*	49,59	10
15	E135 / RTKEG 15 ...*	49,59	10
18	E135 / RTKEG 18 ...*	49,59	10
21	E135 / RTKEG 21 ...*	49,59	10

Schlüter®-BARA-RTKEG/I 90°

Angle rentrant 90°

H (mm)	Art.-No.	€ / u.	P (u.)
4	I90 / RTKEG 4 ...*	49,59	10
10	I90 / RTKEG 10 ...*	49,59	10
15	I90 / RTKEG 15 ...*	49,59	10
18	I90 / RTKEG 18 ...*	49,59	10
21	I90 / RTKEG 21 ...*	49,59	10

Schlüter®-BARA-RTKE/V

Raccord

H (mm)	Art.-No.	€ / u.	P (u.)
4	V / RTKE 4 ...*	3,08	50
10	V / RTKE 10 ...*	3,08	50
15	V / RTKE 15 ...*	3,08	50
18	V / RTKE 18 ...*	3,08	50
21	V / RTKE 21 ...*	3,08	50

Art.-No. à compléter avec la couleur (exemple : V / RTKE 4 PG)



* Coloris : GM - PG

Vous trouverez un récapitulatif des finitions et des couleurs à partir de la page 293.

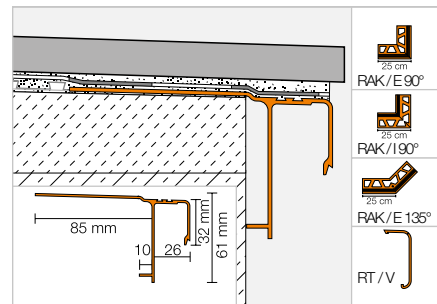


PROFILÉ DE RIVE

Schlüter®-BARA-RAK



Schlüter-BARA-RAK est un profilé de rive avec rejetau, destiné à être posé sur une forme de pente. Pose collée.
(Fiche produit 5.5)



Schlüter®-BARA-RAK

Alu. coloré

L = 2,50 m Art.-No.	€ / m	KV (u.)
RAK 50 ...*	33,10	40

ANGLE | CAPUCHON DE FERMETURE | RACCORD

Schlüter®-BARA-RAK/E 90°

Angle sortant 90°

Art.-No.	€ / u.	P (u.)
E90 / RAK 50 ...*	44,11	10

Schlüter®-BARA-RAK/E 135°

Angle sortant 135°

Art.-No.	€ / u.	P (u.)
E135 / RAK 50 ...*	48,56	10

Schlüter®-BARA-RAK/I 90°

Angle rentrant 90°

Art.-No.	€ / u.	P (u.)
I90 / RAK 50 ...*	44,11	10

Schlüter®-BARA-RT/EK

Capuchon de fermeture

Art.-No.	€ / u.	P (u.)
E / RT 30 ...*	2,75	50

Schlüter®-BARA-RTK/V

Raccord

Art.-No.	€ / u.	P (u.)
V / RT 30 ...*	2,83	50

Art.-No. à compléter avec la couleur (exemple : V / RT 30 RB)



* Coloris : BW - GM - HB - PG - RB - SB

Vous trouverez un récapitulatif des finitions et des couleurs à partir de la page 293.

Nota :

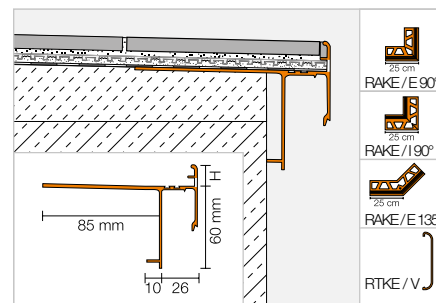
Schlüter-BARA-RAK n'a pas été prévu pour le montage des systèmes d'écoulement Schlüter-BARIN. Ceci est toutefois possible par perforation avec une perceuse (diamètre 7 mm).

PROFILÉ DE RIVE

Schlüter®-BARA-RAKE



Schlüter-BARA-RAKE est un profilé de rive avec rejeteau, à poser sur une forme de pente. Il est destiné à être posé en liaison avec la natte de drainage Schlüter-DITRA-DRAIN. La partie supérieure du profilé permet de réaliser une finition soignée du revêtement carrelé. Pose collée. (Fiche produit 5.22)



Schlüter®-BARA-RAKE

Alu. coloré

H (mm)	L = 2,50 m Art.-No.	€ / m	KV (u.)
10	RAKE 10 ...*	46,09	40
15	RAKE 15 ...*	48,85	40
18	RAKE 18 ...*	49,06	40
21	RAKE 21 ...*	49,57	40

Nota :

La hauteur H indiquée sur le schéma doit prendre en compte la hauteur de la natte + la hauteur du carreau.

ANGLE | RACCORD

Schlüter®-BARA-RAKE/E 90°

Angle sortant 90°

H (mm)	Art.-No.	€ / u.	P (u.)
10	E90 / RAKE 10 ...*	54,93	10
15	E90 / RAKE 15 ...*	54,93	10
18	E90 / RAKE 18 ...*	54,93	10
21	E90 / RAKE 21 ...*	54,93	10

Schlüter®-BARA-RAKE/E 135°

Angle sortant 135°

H (mm)	Art.-No.	€ / u.	P (u.)
10	E135 / RAKE 10 ...*	54,93	10
15	E135 / RAKE 15 ...*	54,93	10
18	E135 / RAKE 18 ...*	54,93	10
21	E135 / RAKE 21 ...*	54,93	10

Schlüter®-BARA-RAKE/I 90°

Angle rentrant 90°

H (mm)	Art.-No.	€ / u.	P (u.)
10	I90 / RAKE 10 ...*	54,93	10
15	I90 / RAKE 15 ...*	54,93	10
18	I90 / RAKE 18 ...*	54,93	10
21	I90 / RAKE 21 ...*	54,93	10

Schlüter®-BARA-RTKE/V

Raccord

H (mm)	Art.-No.	€ / u.	P (u.)
10	V / RTKE 10 ...*	3,08	50
15	V / RTKE 15 ...*	3,08	50
18	V / RTKE 18 ...*	3,08	50
21	V / RTKE 21 ...*	3,08	50

Art.-No. à compléter avec la couleur (exemple : V / RTKE 10 PG)


* Coloris : GM - PG

Vous trouverez un récapitulatif des finitions et des couleurs à partir de la page 293.

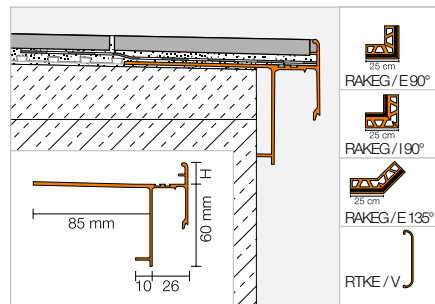


PROFILÉ DE RIVE

Schlüter®-BARA-RAKEG



Schlüter-BARA-RAKEG est un profilé de rive avec rejeteau, à poser sur une forme de pente. Le profilé est destiné à être posé en liaison avec la natte de découplage Schlüter-DITRA 25. Le bord fermé du profilé permet de réaliser une finition soignée du revêtement carrelé. Pose collée.
(Fiche produit 5.22)



Schlüter®-BARA-RAKEG

Alu. coloré

H (mm)	L = 2,50 m Art.-No.	€ / m	KV (u.)
4	RAKEG 4 ...*	36,08	40
10	RAKEG 10 ...*	36,66	40
15	RAKEG 15 ...*	39,45	40
18	RAKEG 18 ...*	39,68	40
21	RAKEG 21 ...*	40,17	40

ANGLE | RACCORD

Schlüter®-BARA-RAKEG/E 90°

Angle sortant 90°

H (mm)	Art.-No.	€ / u.	P (u.)
4	E90 / RAKEG 4 ...*	49,46	10
10	E90 / RAKEG 10 ...*	49,46	10
15	E90 / RAKEG 15 ...*	49,46	10
18	E90 / RAKEG 18 ...*	49,46	10
21	E90 / RAKEG 21 ...*	49,46	10

Schlüter®-BARA-RAKEG/E 135°

Angle sortant 135°

H (mm)	Art.-No.	€ / u.	P (u.)
4	E135 / RAKEG 4 ...*	49,46	10
10	E135 / RAKEG 10 ...*	49,46	10
15	E135 / RAKEG 15 ...*	49,46	10
18	E135 / RAKEG 18 ...*	49,46	10
21	E135 / RAKEG 21 ...*	49,46	10

Schlüter®-BARA-RAKEG/I 90°

Angle rentrant 90°

H (mm)	Art.-No.	€ / u.	P (u.)
4	I90 / RAKEG 4 ...*	49,46	10
10	I90 / RAKEG 10 ...*	49,46	10
15	I90 / RAKEG 15 ...*	49,46	10
18	I90 / RAKEG 18 ...*	49,46	10
21	I90 / RAKEG 21 ...*	49,46	10

Schlüter®-BARA-RTKE/V

Raccord

H (mm)	Art.-No.	€ / u.	P (u.)
4	V / RTKE 4 ...*	3,08	50
10	V / RTKE 10 ...*	3,08	50
15	V / RTKE 15 ...*	3,08	50
18	V / RTKE 18 ...*	3,08	50
21	V / RTKE 21 ...*	3,08	50

Art.-No. à compléter avec la couleur (exemple : V / RTKE 4 GM)



* Coloris : GM - PG

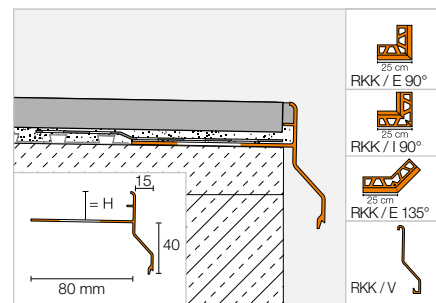
Vous trouverez un récapitulatif des finitions et des couleurs à partir de la page 293.

PROFILÉ DE RIVE

Schlüter®-BARA-RKK



Schlüter-BARA-RKK est un profilé de rive avec rejeteau, à poser sur une forme de pente. Il est destiné à être mis en œuvre en liaison avec la natte de découplage Schlüter-DITRA 25. Le bord fermé du profilé permet de réaliser une finition soignée du revêtement carrelé. Pose collée.
(Fiche produit 5.24)



Schlüter®-BARA-RKK

Alu. coloré

H (mm)	L = 2,50 m Art.-No.	€ / m	KV (u.)
10	RKK 10 ...*	28,56	40
15	RKK 15 ...*	29,66	40
18	RKK 18 ...*	30,53	40

ANGLE | RACCORD

Schlüter®-BARA-RKK/E 90°

Angle sortant 90°

H (mm)	Art.-No.	€ / u.	P (u.)
10	E90 / RKK 10 ...*	41,86	10
15	E90 / RKK 15 ...*	41,86	10
18	E90 / RKK 18 ...*	41,86	10

Schlüter®-BARA-RKK/E 135°

Angle sortant 135°

H (mm)	Art.-No.	€ / u.	P (u.)
10	E135 / RKK 10 ...*	41,86	10
15	E135 / RKK 15 ...*	41,86	10
18	E135 / RKK 18 ...*	41,86	10

Schlüter®-BARA-RKK/I 90°

Angle rentrant 90°

H (mm)	Art.-No.	€ / u.	P (u.)
10	I90 / RKK 10 ...*	41,86	10
15	I90 / RKK 15 ...*	41,86	10
18	I90 / RKK 18 ...*	41,86	10

Schlüter®-BARA-RKK/V

Raccord

H (mm)	Art.-No.	€ / u.	P (u.)
10	V / RKK 10 ...*	3,22	50
15	V / RKK 15 ...*	3,22	50
18	V / RKK 18 ...*	3,22	50

Art.-No. à compléter avec la couleur (exemple : V / RKK 10 SB)



* Coloris : GM - PG - SB

Vous trouverez un récapitulatif des finitions et des couleurs à partir de la page 293.



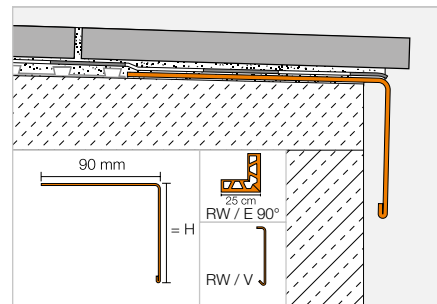
PROFILÉ DE RIVE

Schlüter®-BARA-RW



Schlüter-BARA-RW est un profilé de rive en acier inoxydable V2A ou en aluminium coloré pour la délimitation des chants des balcons et terrasses, destiné à être posé sur une forme de pente. Pose collée.

(Fiche produit 5.3)



Schlüter®-BARA-RW



Alu. coloré

H (mm)	L = 2,50 m Art.-No.	€ / m	KV (u.)
15	RW 15 ...*	18,06	40
25	RW 25 ...*	19,13	40
30	RW 30 ...*	19,61	40
40	RW 40 ...*	21,12	40
55	RW 55 ...*	23,00	40
75	RW 75 ...*	25,63	40
95	RW 95 ...*	28,24	40
120	RW 120 ...*	35,38	40
150	RW 150 ...*	39,34	40

Schlüter®-BARA-RW-E



Acier inox. V2A

H (mm)	L = 2,50 m Art.-No.	€ / m	KV (u.)
15	RW 15 E	29,30	40
25	RW 25 E	30,46	40
30	RW 30 E	32,09	40
40	RW 40 E	33,83	40
55	RW 55 E	37,19	40
75	RW 75 E	41,78	40
95	RW 95 E	46,25	40
120	RW 120 E	51,94	40
150	RW 150 E	58,75	40

ANGLE | RACCORD

Schlüter®-BARA-RW/E 90°

Angle sortant 90° alu. coloré

H (mm)	Art.-No.	€ / u.	P (u.)
15	E90 / RW 15 ...*	24,96	10
25	E90 / RW 25 ...*	25,56	10
30	E90 / RW 30 ...*	26,13	10
40	E90 / RW 40 ...*	26,72	10
55	E90 / RW 55 ...*	27,94	10
75	E90 / RW 75 ...*	29,42	10
95	E90 / RW 95 ...*	30,94	10
120	E90 / RW 120 ...*	42,38	10
150	E90 / RW 150 ...*	44,66	10

Schlüter®-BARA-RW-E/E 90°

Angle sortant 90° acier inox. V2A

H (mm)	Art.-No.	€ / u.	P (u.)
15	E90 / RW 15 E	35,71	10
25	E90 / RW 25 E	36,49	10
30	E90 / RW 30 E	37,58	10
40	E90 / RW 40 E	38,75	10
55	E90 / RW 55 E	41,04	10
75	E90 / RW 75 E	44,09	10
95	E90 / RW 95 E	55,10	10
120	E90 / RW 120 E	58,82	10
150	E90 / RW 150 E	63,37	10

Schlüter®-BARA-RW/V

Raccord alu. coloré

H (mm)	Art.-No.	€ / u.	P (u.)
15	V / RW 15 ...*	5,51	50
25	V / RW 25 ...*	5,51	50
30	V / RW 30 ...*	5,51	50
40	V / RW 40 ...*	5,51	50
55	V / RW 55 ...*	5,51	50
75	V / RW 75 ...*	6,57	50
95	V / RW 95 ...*	6,57	50
120	V / RW 120 ...*	6,57	50
150	V / RW 150 ...*	6,57	50

Schlüter®-BARA-RW-E/V

Raccord acier inox. V2A

H (mm)	Art.-No.	€ / u.	P (u.)
15	V / RW 15 E	6,58	50
25	V / RW 25 E	6,58	50
30	V / RW 30 E	6,58	50
40	V / RW 40 E	6,58	50
55	V / RW 55 E	6,58	50
75	V / RW 75 E	7,87	50
95	V / RW 95 E	7,87	50
120	V / RW 120 E	7,87	50
150	V / RW 150 E	7,87	50

Art.-No. à compléter avec la couleur
(exemple : V / RW 15 HB)



* Coloris : BW - GM - HB - PG - RB - SB

Vous trouverez un récapitulatif des finitions et des couleurs à partir de la page 293.

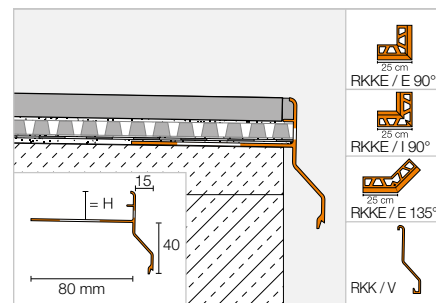
PROFILÉ DE RIVE

Schlüter®-BARA-RKKE



Schlüter-BARA-RKKE est un profilé de rive avec rejeteau et orifices pour évacuation des eaux de drainage, à poser sur une forme de pente. Il est destiné à être mis en œuvre en liaison avec la natte de drainage Schlüter-DITRA-DRAIN. La partie supérieure du profilé permet de réaliser une finition soignée du revêtement carrelé. Pose collée.

(Fiche produit 5.24)



Schlüter®-BARA-RKKE

Alu. coloré

H (mm)	L = 2,50 m Art.-No.	€ / m	KV (u.)
8	RKKE 8 ...*	35,88	40
10	RKKE 10 ...*	36,64	40
15	RKKE 15 ...*	38,36	40
18	RKKE 18 ...*	39,88	40
21	RKKE 21 ...*	41,98	40
23	RKKE 23 ...*	43,45	40

Nota :

Les hauteurs de profilé 21 et 23 mm sont destinées à une utilisation en liaison avec Schlüter-DITRA-DRAIN 8.

La hauteur H indiquée sur le schéma doit prendre en compte la hauteur de la natte + la hauteur du carreau.

Le profilé en hauteur 8 mm est destiné à être mis en œuvre avec un revêtement drainant (sans natte Schlüter-DITRA-DRAIN).

ANGLE | RACCORD

Schlüter®-BARA-RKKE/E 90°

Angle sortant 90°

H (mm)	Art.-No.	€ / u.	P (u.)
8	E90 / RKKE 8 ...*	46,33	10
10	E90 / RKKE 10 ...*	46,33	10
15	E90 / RKKE 15 ...*	46,33	10
18	E90 / RKKE 18 ...*	46,33	10
21	E90 / RKKE 21 ...*	46,33	10
23	E90 / RKKE 23 ...*	46,33	10

Schlüter®-BARA-RKKE/E 135°

Angle sortant 135°

H (mm)	Art.-No.	€ / u.	P (u.)
8	E135 / RKKE 8 ...*	46,33	10
10	E135 / RKKE 10 ...*	46,33	10
15	E135 / RKKE 15 ...*	46,33	10
18	E135 / RKKE 18 ...*	46,33	10
21	E135 / RKKE 21 ...*	46,33	10
23	E135 / RKKE 23 ...*	46,33	10

Schlüter®-BARA-RKKE/I 90°

Angle rentrant 90°

H (mm)	Art.-No.	€ / u.	P (u.)
8	I90 / RKKE 8 ...*	46,33	10
10	I90 / RKKE 10 ...*	46,33	10
15	I90 / RKKE 15 ...*	46,33	10
18	I90 / RKKE 18 ...*	46,33	10
21	I90 / RKKE 21 ...*	46,33	10
23	I90 / RKKE 23 ...*	46,33	10

Schlüter®-BARA-RKK/V

Raccord

H (mm)	Art.-No.	€ / u.	P (u.)
8	V / RKK 8 ...*	3,22	50
10	V / RKK 10 ...*	3,22	50
15	V / RKK 15 ...*	3,22	50
18	V / RKK 18 ...*	3,22	50
21	V / RKK 21 ...*	3,22	50
23	V / RKK 23 ...*	3,22	50

Art.-No. à compléter avec la couleur (exemple : V / RKK 8 PG)



* Coloris : GM - PG - SB

Vous trouverez un récapitulatif des finitions et des couleurs à partir de la page 293.

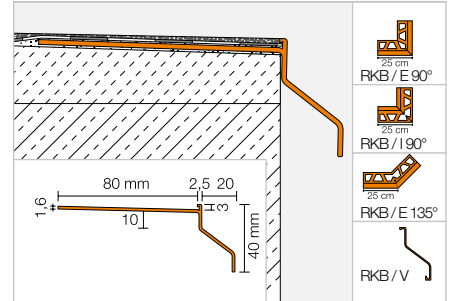


PROFILÉ DE RIVE

Schlüter®-BARA-RKB



Schlüter-BARA-RKB est un profilé de rive avec rejeteau, pour revêtements minces, de type résine. Pose collée.
(Fiche produit 5.18)



Schlüter®-BARA-RKB

Alu. coloré

L = 2,50 m Art.-No.	€ / m	KV (u.)
RKB 3 ...*	25,83	40

ANGLE | RACCORD

Schlüter®-BARA-RKB/E 90°

Angle sortant 90°

Art.-No.	€ / u.	P (u.)
E90 / RKB 3 ...*	34,59	10

Schlüter®-BARA-RKB/E 135°

Angle sortant 135°

Art.-No.	€ / u.	P (u.)
E135 / RKB 3 ...*	36,06	10

Schlüter®-BARA-RKB/I 90°

Angle rentrant 90°

Art.-No.	€ / u.	P (u.)
I90 / RKB 3 ...*	34,59	10

Schlüter®-BARA-RKB/V

Raccord

Art.-No.	€ / u.	P (u.)
V / RKB 3 ...*	3,22	50

Art.-No. à compléter avec la couleur (exemple : V / RKB 3 GM)



* Coloris : GM - PG

Vous trouverez un récapitulatif des finitions et des couleurs à partir de la page 293.

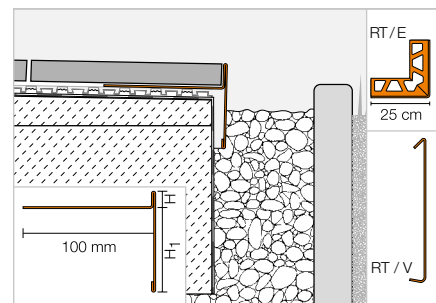
PROFILÉ DE RIVE

Schlüter®-BARA-RT



Schlüter-BARA-RT est un profilé de rive en T, en aluminium coloré, pour la finition des chants des balcons et terrasses, destiné à être posé sur une forme de pente. L'aile de finition supérieure recouvre l'arête du revêtement. S'utilise en combinaison avec les nattes Schlüter-DITRA 25 et Schlüter-DITRA-DRAIN. Pose collée.

(Fiche produit 5.19)



Schlüter®-BARA-RT



Alu. coloré

H/H1 (mm)	L = 2,50 m Art.-No.	€ / m	KV (u.)
9/60	RT 9/60 ...*	34,80	40
12/16	RT 12/16 ...*	30,46	40
12/65	RT 12/65 ...*	34,80	40
20/50	RT 20/50 ...**	34,80	40
25/40	RT 25/40 ...**	34,80	40
30/35	RT 30/35 ...**	35,45	40

ANGLE | RACCORD

Schlüter®-BARA-RT/E 90°

Angle sortant 90°

H/H1 (mm)	Art.-No.	€ / u.	P (u.)
9/60	E90 / RT 9/60 ...*	38,28	10
12/16	E90 / RT 12/16 ...*	34,96	10
12/65	E90 / RT 12/65 ...*	38,28	10
20/50	E90 / RT 20/50 ...**	38,28	10
25/40	E90 / RT 25/40 ...**	38,28	10
30/35	E90 / RT 30/35 ...**	38,50	10

Schlüter®-BARA-RT/V

Raccord

H/H1 (mm)	Art.-No.	€ / u.	P (u.)
9/60	V / RT 9/60 ...*	6,57	50
12/16	V / RT 12/16 ...*	5,51	50
12/65	V / RT 12/65 ...*	6,57	50
20/50	V / RT 20/50 ...**	6,57	50
25/40	V / RT 25/40 ...**	6,57	50
30/35	V / RT 30/35 ...**	6,57	50

Art.-No. à compléter avec la couleur (exemple : V / RT 9/60 HB)



* Coloris : BW - GM - HB - PG - RB - SB

** Coloris : GM - PG

Vous trouverez un récapitulatif des finitions et des couleurs à partir de la page 293.



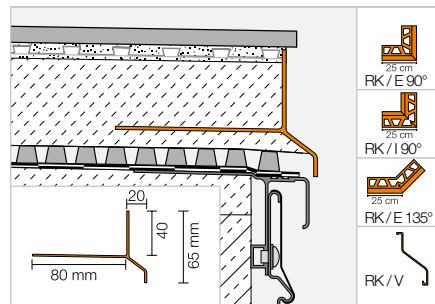
PROFILÉ DE RIVE

Schlüter®-BARA-RK



Schlüter-BARA-RK est un profilé de rive pour balcons. Le débord forme un rejeteau qui protège et cache l'espace créé par le drainage de surface Schlüter-TROBA-PLUS. Pose scellée.

(Fiche produit 5.4)



Schlüter®-BARA-RK

Alu. coloré

L = 2,50 m Art.-No.	€ / m	KV (u.)
RK 65 ...*	28,35	40

ANGLE | RACCORD

Schlüter®-BARA-RK/E 90°

Angle sortant 90°

Art.-No.	€ / u.	P (u.)
E90 / RK 65 ...*	37,29	10

Schlüter®-BARA-RK/E 135°

Angle sortant 135°

Art.-No.	€ / u.	P (u.)
E135 / RK 65 ...*	41,13	10

Schlüter®-BARA-RK/I 90°

Angle rentrant 90°

Art.-No.	€ / u.	P (u.)
I90 / RK 65 ...*	37,29	10

Schlüter®-BARA-RK/V

Raccord

Art.-No.	€ / u.	P (u.)
V / RK 65 ...*	3,22	50

Art.-No. à compléter avec la couleur (exemple : V / RK 65 GM)



* Coloris : BW - GM - HB - PG - RB - SB

Vous trouverez un récapitulatif des finitions et des couleurs à partir de la page 293.

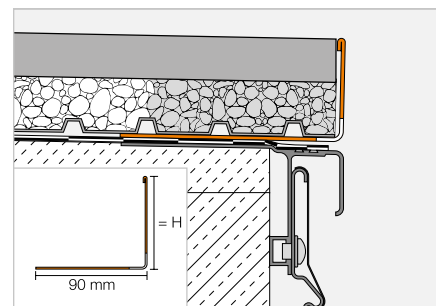
PROFILÉ DE RIVE

Schlüter®-BARA-RWL



Schlüter-BARA-RWL est un profilé de rive pour balcons et terrasses en aluminium coloré présentant des orifices de drainage. Il convient pour les revêtements posés sur gravier ou sur plots.

(Fiche produit 5.15)



Schlüter®-BARA-RWL



Alu. coloré

H (mm)	L = 2,50 m Art.-No.	€ / m	KV (u.)
15	RWL 15 ...*	18,06	40
25	RWL 25 ...*	19,13	40
30	RWL 30 ...*	19,61	40
40	RWL 40 ...*	21,12	40
55	RWL 55 ...*	23,00	40
75	RWL 75 ...*	25,63	40
95	RWL 95 ...*	28,24	40
120	RWL 120 ...*	35,38	40
150	RWL 150 ...*	39,34	40

Art.-No. à compléter avec la couleur
(exemple : RWL 15 PG)



* Coloris : GM - PG

Vous trouverez un récapitulatif des finitions et des couleurs à partir de la page 293.

Nota :

Angles sortants et raccords de la gamme Schlüter-BARA-RW compatibles.

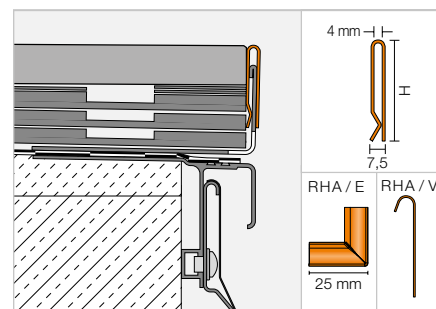
PROFILÉ DE RIVE

Schlüter®-BARA-RHA



Schlüter-BARA-RHA est un profilé de recouvrement en aluminium coloré réglable en hauteur. En liaison avec des profilés-supports correspondants, comme p. ex. BARA-RWL ou BARA-RKL, il permet de délimiter les chants libres de balcons et de terrasses. Il est possible de réaliser des structures allant jusqu'à 220 mm de hauteur.

(Fiche produit 5.16)



Schlüter®-BARA-RHA

Alu. coloré

H (mm)	L = 2,50 m Art.-No.	€ / m	KV (u.)
50	RHA 50 ...*	23,81	40
90	RHA 90 ...*	25,87	40

Nota :

Les profilés-supports doivent être commandés séparément.

ANGLE | RACCORD

Schlüter®-BARA-RHA/E 90°

Angle sortant 90°

H (mm)	Art.-No.	€ / u.	P (u.)
50	E90 / RHA 50 ...*	12,69	10
90	E90 / RHA 90 ...*	12,69	10

Schlüter®-BARA-RHA/V

Raccord

H (mm)	Art.-No.	€ / u.	P (u.)
50	V / RHA 50 ...*	7,61	50
90	V / RHA 90 ...*	7,61	50

Art.-No. à compléter avec la couleur
(exemple : V / RHA 50 SB)



* Coloris : GM - PG - SB

Vous trouverez un récapitulatif des finitions et des couleurs à partir de la page 293.



Schlüter®-BARA-RKL 35

Profilé de finition pour balcons et terrasses

- ✓ Développé spécialement pour les dalles de grand format et pour la pierre naturelle de 2 cm d'épaisseur
- ✓ Le profilé de 35 mm de haut couvre le chant du carreau et la natte de drainage
- ✓ Orifices pour l'évacuation de l'eau et rejeteau
- ✓ Accessoires : angles rentrants, angles sortants (90°/135°) et raccords
- ✓ Convient pour la finition des revêtements mis en œuvre sur Schlüter-TROBA-LEVEL.



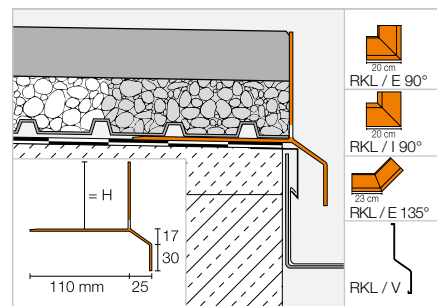
PROFILÉ DE RIVE

Schlüter®-BARA-RKL



Schlüter-BARA-RKL est un profilé de rive en équerre en aluminium coloré avec orifices d'évacuation de l'eau de drainage. Il convient pour des dalles de grand format posées au choix sur les lits de gravier/de concassé sans liant ou sur un système de plots.

(Fiche produit 5.20)



Schlüter®-BARA-RKL

Alu. coloré

H (mm)	L = 2,50 m Art.-No.	€ / m	KV (u.)
30	RKL 30 ...*	46,20	40
35	RKL 35 ...*	48,44	40
40	RKL 40 ...*	50,70	40
50	RKL 50 ...*	52,02	40
75	RKL 75 ...*	54,68	40

Nota :

Schlüter-BARA-RKL 35 et 40 sont particulièrement adaptés pour les dalles en pierre de 2 cm d'épaisseur.

ANGLE | RACCORD

Schlüter®-BARA-RKL/E 90°

Angle sortant 90°

H (mm)	Art.-No.	€ / u.	P (u.)
30	E90 / RKL 30 ...*	74,23	10
35	E90 / RKL 35 ...*	74,23	10
40	E90 / RKL 40 ...*	74,23	10
50	E90 / RKL 50 ...*	74,23	10
75	E90 / RKL 75 ...*	74,23	10

Schlüter®-BARA-RKL/E 135°

Angle sortant 135°

H (mm)	Art.-No.	€ / u.	P (u.)
30	E135 / RKL 30 ...*	74,23	10
35	E135 / RKL 35 ...*	74,23	10
40	E135 / RKL 40 ...*	74,23	10
50	E135 / RKL 50 ...*	74,23	10
75	E135 / RKL 75 ...*	74,23	10

Schlüter®-BARA-RKL/I 90°

Angle rentrant 90°

H (mm)	Art.-No.	€ / u.	P (u.)
30	I90 / RKL 30 ...*	74,23	10
35	I90 / RKL 35 ...*	74,23	10
40	I90 / RKL 40 ...*	74,23	10
50	I90 / RKL 50 ...*	74,23	10
75	I90 / RKL 75 ...*	74,23	10

Schlüter®-BARA-RKL/V

Raccord

H (mm)	Art.-No.	€ / u.	P (u.)
30	V / RKL 30 ...*	6,18	50
35	V / RKL 35 ...*	6,18	50
40	V / RKL 40 ...*	6,18	50
50	V / RKL 50 ...*	6,18	50
75	V / RKL 75 ...*	6,18	50

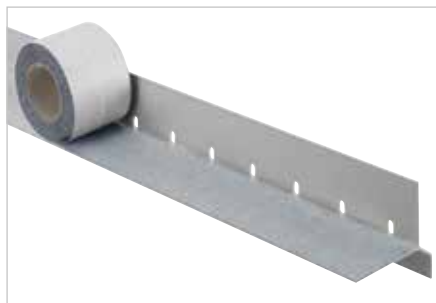
Art.-No. à compléter avec la couleur (exemple : V / RKL 30 GM)



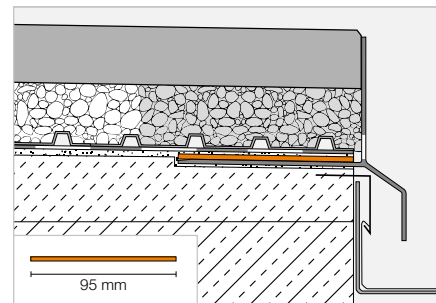
* Coloris : GM - PG - SB

Vous trouverez un récapitulatif des finitions et des couleurs à partir de la page 293.

RUBAN ADHÉSIF

Schlüter®-BARA-HV


Schlüter-BARA-HV est un ruban adhésif d'accrochage en polyéthylène doté d'un non-tissé sur sa face supérieure et d'une couche de butyle autocollante sur sa face inférieure. Il facilite le collage de l'étanchéité sur le profilé Schlüter-BARA-RKL ou Schlüter-BARA-RKLT.
(Fiche produit 5.20)


Schlüter®-BARA-HV

Ruban adhésif

B (mm)	Rouleau = 5 m Art.-No.	€ / m	P (Rouleau)
95	HVL 95 / 5M	6,84	10

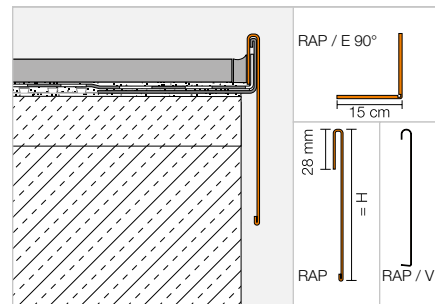


PROFILÉ DE RIVE | ANGLE | RACCORD

Schlüter®-BARA-RAP



Schlüter-BARA-RAP est un profilé de recouvrement. En liaison avec le profilé-support Schlüter-BARA-RW, il permet de délimiter les bordures libres (apparentes) de balcons et de terrasses. Pose collée.
(Fiche produit 5.17)



Schlüter®-BARA-RAP

Alu. coloré

H (mm)	L = 2,50 m Art.-No.	€ / m	KV (u.)
75	RAP 75 PG	24,29	40
86	RAP 90 PG	25,24	40
110	RAP 110 PG	26,50	40

Schlüter®-BARA-RAP/E 90°

Angle sortant 90° alu. coloré

H (mm)	Art.-No.	€ / u.	P (u.)
75	E90 / RAP 75 PG	28,31	10
86	E90 / RAP 90 PG	29,37	10
110	E90 / RAP 110 PG	30,36	10

Schlüter®-BARA-RAP/V

Raccord alu. coloré

H (mm)	Art.-No.	€ / u.	P (u.)
75	V / RAP 75 PG	6,57	50
86	V / RAP 90 PG	6,57	50
110	V / RAP 110 PG	6,57	50

Nota :

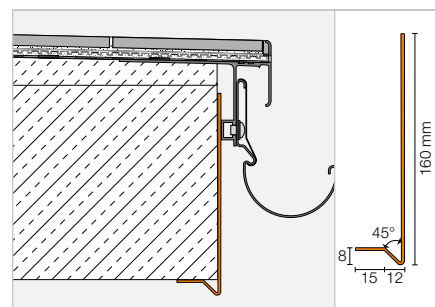
Le profilé-support Schlüter-BARA-RW doit être commandé séparément.

PROFILÉ DE RIVE | ANGLE

Schlüter®-BARA-FAP



Schlüter-BARA-FAP est un profilé permettant de recouvrir les chants de balcons en encorbellement. Mise en œuvre avec la colle Schlüter-KERDI-FIX.
(Fiche produit 5.23)



Schlüter®-BARA-FAP

Alu. coloré

L = 2,50 m Art.-No.	€ / m	KV (u.)
FAP 165 ...*	37,86	40

Schlüter®-BARA-FAP/E 90°

Angle sortant 90°

Art.-No.	€ / u.	P (u.)
E90 / FAP 165 ...*	37,63	10

Nota :

Pour les jonctions, nous conseillons d'utiliser la bande Schlüter-BARA-STU.



Art.-No. à compléter avec la couleur (exemple : E90 / FAP 165 BW)



* Coloris : BW - GM - HB - PG - RB - SB

Vous trouverez un récapitulatif des finitions et des couleurs à partir de la page 293.

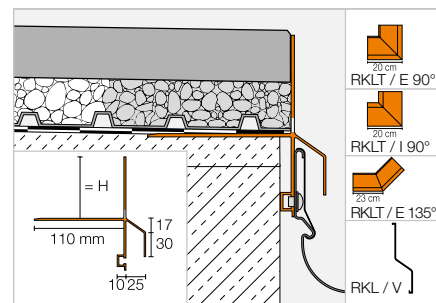
PROFILÉ DE RIVE AVEC FIXATION DE SYSTÈME DE GOUTTIÈRE

Schlüter®-BARA-RKLT



Schlüter-BARA-RKLT est un profilé de rive en équerre avec orifices d'évacuation de l'eau. Il convient pour des dalles de grand format posées au choix sur les lits de gravier/ de concassé sans liant ou sur un système de plots. Schlüter-BARA-RKLT possède un rail pour la fixation du système de gouttières Schlüter-BARIN.

(Fiche produit 5.20)



Schlüter®-BARA-RKLT

Alu. coloré

H (mm)	L = 2,50 m Art.-No.	€ / m	KV (u.)
30	RKLT 30 ...*	55,16	40
40	RKLT 40 ...*	59,67	40
50	RKLT 50 ...*	61,02	40
75	RKLT 75 ...*	63,63	40

ANGLE | RACCORD

Schlüter®-BARA-RKLT/E 90°

Angle sortant 90°

H (mm)	Art.-No.	€ / u.	P (u.)
30	E90 / RKLT 30 ...*	77,53	10
40	E90 / RKLT 40 ...*	77,53	10
50	E90 / RKLT 50 ...*	77,53	10
75	E90 / RKLT 75 ...*	77,53	10

Schlüter®-BARA-RKLT/E 135°

Angle sortant 135°

H (mm)	Art.-No.	€ / u.	P (u.)
30	E135 / RKLT 30 ...*	77,53	10
40	E135 / RKLT 40 ...*	77,53	10
50	E135 / RKLT 50 ...*	77,53	10
75	E135 / RKLT 75 ...*	77,53	10

Schlüter®-BARA-RKLT/I 90°

Angle rentrant 90°

H (mm)	Art.-No.	€ / u.	P (u.)
30	I90 / RKLT 30 ...*	77,53	10
40	I90 / RKLT 40 ...*	77,53	10
50	I90 / RKLT 50 ...*	77,53	10
75	I90 / RKLT 75 ...*	77,53	10

Schlüter®-BARA-RKL/V

Raccord

H (mm)	Art.-No.	€ / u.	P (u.)
30	V / RKL 30 ...*	6,18	50
40	V / RKL 40 ...*	6,18	50
50	V / RKL 50 ...*	6,18	50
75	V / RKL 75 ...*	6,18	50

Art.-No. à compléter avec la couleur (exemple : V / RKL 30 PG)



* Coloris : GM - PG - SB

Vous trouverez un récapitulatif des finitions et des couleurs à partir de la page 293.

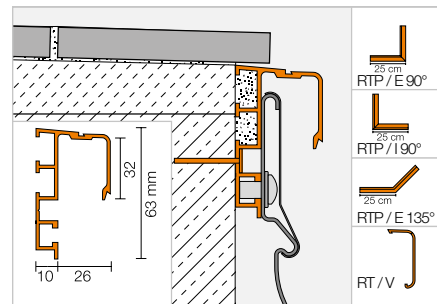


PROFILÉ DE RIVE AVEC FIXATION DE SYSTÈME DE GOUTTIÈRE

Schlüter®-BARA-RTP



Schlüter-BARA-RTP est un profilé de rive avec rejetau pour l'accueil du système de gouttières Schlüter-BARIN. Il est destiné à être fixé a posteriori sur le bord de balcons et terrasses déjà carrelés.
(Fiche produit 5.11)



Schlüter®-BARA-RTP

Alu. coloré

L = 2,50 m Art.-No.	€ / m	KV (u.)
RTP 65 PG	31,22	40

ANGLE | RACCORD | VIS

Schlüter®-BARA-RTP/E 90°

Angle sortant 90°

Art.-No.	€ / u.	P (u.)
E90 / RTP 65 PG	40,32	10

Schlüter®-BARA-RTP/E 135°

Angle sortant 135°

Art.-No.	€ / u.	P (u.)
E135 / RTP 65 PG	44,36	10

Schlüter®-BARA-RTP/I 90°

Angle rentrant 90°

Art.-No.	€ / u.	P (u.)
I90 / RTP 65 PG	40,32	10

Schlüter®-BARA-RTK/V

Raccord

Art.-No.	€ / u.	P (u.)
V / RT 30 PG	2,83	50

Schlüter®-BARA-RTP/S

Vis spéciales avec chevilles

Art.-No.	€ / Kit	P (kit)
RTPS 540	8,55	10

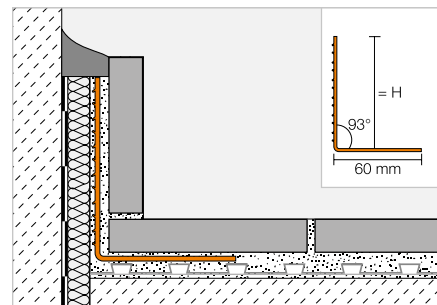
Kit = 10 u.

PROFILÉ-SUPPORT DE PLINTHE

Schlüter®-BARA-ESOT



Schlüter-BARA-ESOT est un profilé-support de plinthe en acier inoxydable V2A à utiliser en l'absence d'un support stable.
(Fiche produit 5.1)



Schlüter®-BARA-ESOT

Acier inox. V2A

H (mm)	L = 2,50 m Art.-No.	€ / m	KV (u.)
60	ESOT 60	17,23	60
110	ESOT 110	22,39	60

BANDE POUR RACCORD

Schlüter®-BARA-STU



Les bandes Schlüter-BARA-STU sont de minces bandes de tôle d'aluminium qui peuvent se découper à la longueur voulue à l'aide d'une cisaille et qui se collent avec la colle Schlüter-KERDI-FIX, pour servir de raccord sur les profilés de la série BARA.

Schlüter®-BARA-STU

Bande pour raccord

Art.-No.	€ / u.	P (u.)
STU 335 ...*	2,05	10

Longueur = 30 cm
 Largeur = 35 mm
 Épaisseur = 0,5 mm

Art.-No. à compléter avec la couleur (exemple : STU 335 HB)



* Coloris : BW - GM - HB - PG - RB - SB

Vous trouverez un récapitulatif des finitions et des couleurs à partir de la page 293.

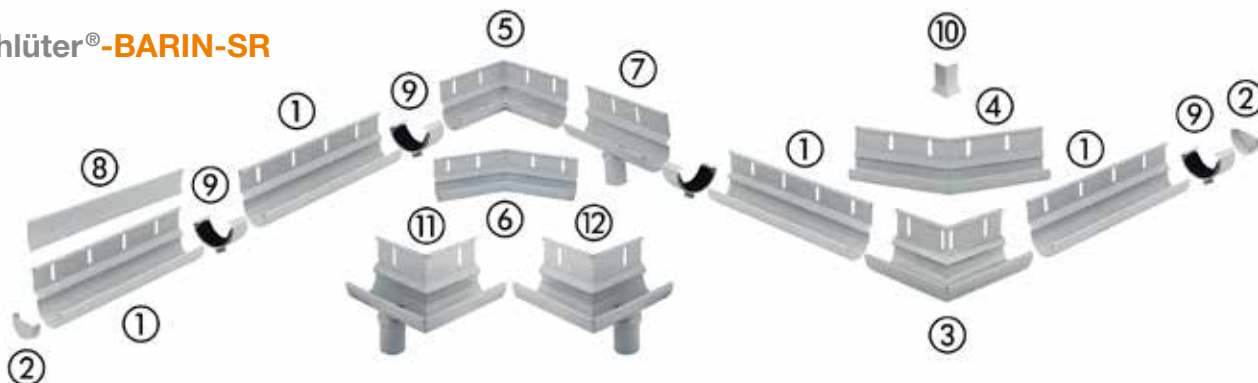


© Villeroy & Boch Fliesen



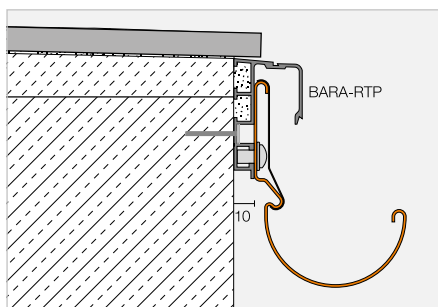
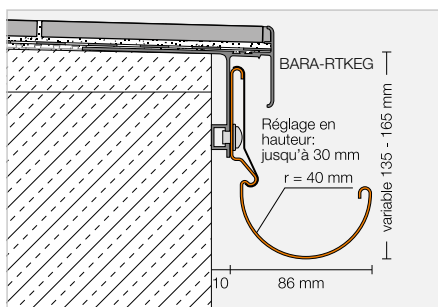
SYSTÈME DE GOUTTIÈRE

Schlüter®-BARIN-SR



Schlüter-BARIN-SR est un système de gouttière en aluminium coloré pour l'évacuation de l'eau des balcons et des terrasses. Il peut se fixer sur les profilés Schlüter-BARA prévus à cet effet.

(Fiche produit 10.1)



Schlüter®-BARIN-SR AC

Alu. coloré

Description	Art.-No.	€ / Kit	KV (kit)
Kit BARIN gouttière 2,50 m 1 gouttière 2,50 m ① 1 profilé de recouvrement 2,50 + 0,50 m ⑧ 1 attache ⑨ 8 vis	BSR4 R 250 ...*	137,00	60
Kit BARIN gouttière 1,50 m 1 gouttière 1,50 m ① 1 profilé de recouvrement 1,50 + 0,50 m ⑧ 1 attache ⑨ 4 vis	BSR4 R 150 ...*	80,92	60
Kit BARIN capuchon de fermeture 2 capuchons de fermeture ② 2 attaches ⑨	BSR4 E 2 ...*	28,16	60
Kit BARIN angle sortant 90° 1 angle ③ 2 attaches ⑨ 1 profilé de recouvrement d'angle ⑩	BSR4 EWG 90 ...*	92,42	60
Kit BARIN angle sortant à 90° avec évacuation à gauche 1 angle ⑪ 2 attaches ⑨ 1 profilé de recouvrement d'angle ⑩	BSR4 E90 L DN 60 ...*	117,88	60
Kit BARIN angle sortant à 90° avec évacuation à droite 1 angle ⑫ 2 attaches ⑨ 1 profilé de recouvrement d'angle ⑩	BSR4 E90 R DN 60 ...*	117,88	60
Kit BARIN angle sortant 135° 1 angle ④ 2 attaches ⑨ 1 profilé de recouvrement d'angle ⑩	BSR4 EWG 135 ...*	92,42	60
Kit BARIN angle rentrant 90° 1 angle ⑤ 2 attaches ⑨	BSR4 IWG 90 ...*	92,42	60
Kit BARIN angle rentrant 135° 1 angle ⑥ 2 attaches ⑨	BSR4 IWG 135 ...*	92,42	60
Kit BARIN écoulement 1 gouttière 20 cm avec tuyau d'écoulement ⑦ 2 attaches ⑨ 2 vis	BSR4 A DN 60 ...*	42,31	60

Nota :

Des angles autres que 90° et 135° peuvent faire l'objet d'une fabrication spéciale sur demande.

Les écarts de couleur des différents éléments du système peuvent être liés aux matériaux.

Art.-No. à compléter avec la couleur (exemple : BSR4 R 250 GM)



* Coloris : BW - GM - HB - PG - RB - SB

Vous trouverez un récapitulatif des finitions et des couleurs à partir de la page 293.

SYSTÈME DE GOUTTIÈRE

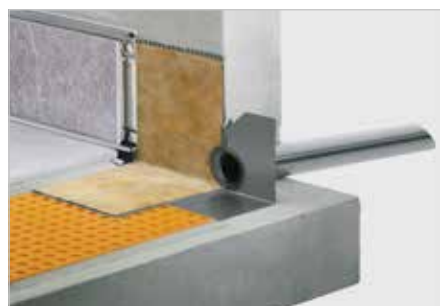
Schlüter®-BARIN-R

Schlüter-BARIN-R est un système de tuyaux de descente d'eaux pluviales en aluminium coloré avec pièces de finition correspondantes.

(Fiche produit 10.1)



Les tuyaux de descente sont de dimension standard et sont équipés d'un manchon de raccord. La pièce de réduction (8) peut être utilisée pour la liaison de deux tuyaux Schlüter-BARIN ne possédant pas de manchon de transition (utilisation des chutes).



Schlüter-KERDI-DRAIN-SP-E gargouille en acier inox voir page 257.

Schlüter-BARIN-R-SK est un capuchon pour tuyau de descente permettant de masquer le raccordement de tuyaux Schlüter-BARIN de Ø 60 mm au tuyau de descente principal. Schlüter-BARIN-R-AZ est une dérivation en T permettant de raccorder des tuyaux Schlüter-BARIN de Ø 60 mm sur un tuyau de descente existant de Ø 110 mm (DN 100) de l'évacuation des eaux pluviales.

Schlüter®-BARIN-R AC

Alu. coloré

Description	Art.-No.	€ / u.	KV (u.)
Descente des eaux pluviales Ø 60 mm, 1,00 m ①	BR 100 DN 60 ...*	38,79	60
Descente des eaux pluviales Ø 60 mm, 2,50 m ①	BR 250 DN 60 ...*	89,12	60
Raccord coudé 40° Ø 60 mm ③	BR B40 DN 60 ...*	44,56	60
Raccord coudé 72° Ø 60 mm ④	BR B72 DN 60 ...*	44,56	60
Raccord coudé 85° Ø 60 mm ⑤	BR B85 DN 60 ...*	44,56	60
Dérivation en T 72° Ø 60 mm ⑥	BR AZ DN 60 ...*	100,41	60
Pièce de réduction ⑧	BR AM DN 60 ...*	25,79	60
Gargouille 25 cm Ø 50 mm ⑦ adaptée aux gouttières BARIN-SR de Ø 50 mm	BR SP25 DN 50 ...*	83,98	60
Gargouille 40 cm Ø 50 mm ⑦ adaptée aux gouttières BARIN-SR de Ø 50 mm	BR SP40 DN 50 ...*	91,12	60
Kit de colliers pour tuyaux ② 2 colliers pour tuyaux Tige à visser 100 mm	BR RS100 DN 60 ...*	17,88	60
Kit de colliers pour tuyaux ② 2 colliers pour tuyaux Tige à visser 200 mm	BR RS200 DN 60 ...*	19,29	60
Tige à visser 200 mm pour colliers pour tuyaux	BR SS 200	4,62	60

Schlüter®-BARIN-R Z/K

Zinc / Cuivre

Description	Art.-No.	€ / u.	KV (u.)
Capuchon pour tuyau de descente en zinc Ø 60 / 116 mm ⑨	BR SK DN 60 / 116 Z	7,32	60
Dérivation en T, en zinc, 85° Ø 110 / 60 mm (DN 100/60) ⑩	BR AZ DN 100 / 60 Z	104,57	60
Dérivation en T, en cuivre, 85° Ø 110 / 60 mm (DN 100/60) ⑩	BR AZ DN 100 / 60 K	117,88	60

Art.-No. à compléter avec la couleur (exemple : BR 100 DN 60 GM)



* Coloris : BW - GM - HB - PG - RB - SB

Vous trouverez un récapitulatif des finitions et des couleurs à partir de la page 293.



Schlüter®-BEKOTEC

Chapes flottantes

Le système Schlüter-BEKOTEC est une structure de revêtement particulièrement rapide à réaliser, de faible épaisseur, exempte de tensions et présentant une faible déformation. En liaison avec les composants de chauffage Schlüter-BEKOTEC-THERM, il est possible de réaliser un plancher chauffant-rafraîchissant, qui se distingue par sa faible épaisseur structurelle, sa rapidité de réalisation et son excellent confort thermique. Vous trouverez de plus amples informations sur notre plancher chauffant-rafraîchissant dans le tarif séparé Schlüter-BEKOTEC-THERM ou sur internet à l'adresse www.bekotec-therm.fr.





Dalles à plots pour chape

Schlüter®-BEKOTEC-EN	282
Schlüter®-BEKOTEC-EN F	283
Schlüter®-BEKOTEC-EN FTS	284
Schlüter®-BEKOTEC-EN FK	285
Schlüter®-BEKOTEC-DRAIN	286

Bandes périphériques pour chape

Schlüter®-BEKOTEC-BRS	286
Schlüter®-BEKOTEC-BRS/KSF	286
Schlüter®-BEKOTEC-BRSK	286
Schlüter®-BEKOTEC-BRS/KF	287

Isolation acoustique

Schlüter®-BEKOTEC-BTS	287
-----------------------	-----



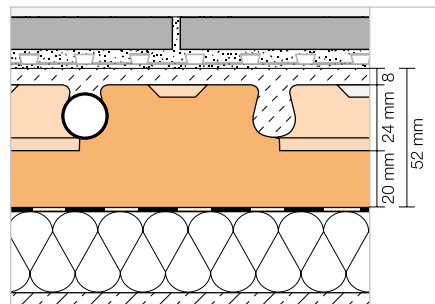
DALLE À PLOTS | PANNEAU PÉRIPHÉRIQUE

Schlüter®-BEKOTEC-EN

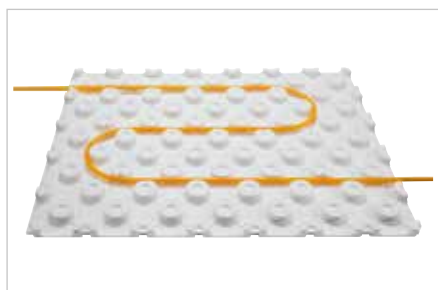


Schlüter-BEKOTEC-EN est la technique de construction pour chapes flottantes et chauffantes garantissant un revêtement céramique ou en pierres naturelles sans fissuration. D'autres revêtements peuvent également être mis en œuvre sur la chape Schlüter-BEKOTEC. Épaisseur minimale hors natte Schlüter-DITRA 25 et hors revêtement = 52 mm.

(Fiche produit 9.1)



Pour chape traditionnelle



Pour chape fluide



Schlüter®-BEKOTEC-EN/P

Dalle à plots

75,5 x 106 cm = 0,8 m ² Art.-No.	€/ m ²	P (u.)
EN 2520 P	16,14	20

Unité de livraison minimale = 1 dalle (0,8 m²)

Schlüter®-BEKOTEC-EN/PF

Dalle à plots pelliculée

75,5 x 106 cm = 0,8 m ² Art.-No.	€/ m ²	P (u.)
EN 1520 PF	19,38	20

Unité de livraison minimale = 1 dalle (0,8 m²)

Schlüter®-BEKOTEC-ENR

Panneau périphérique

30,5 x 45,5 cm = 0,14 m ² Art.-No.	€/ u.	P (u.)
ENR 1520 P	1,92	20



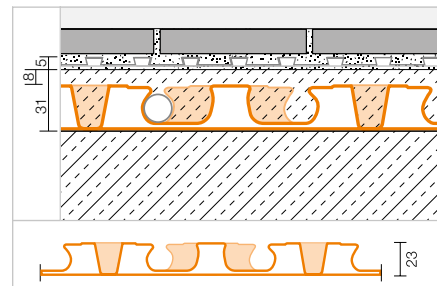
DALLE À PLOTS | PANNEAU DE MISE À NIVEAU

Schlüter®-BEKOTEC-EN F



Schlüter-BEKOTEC-EN F est la technique de construction de faible épaisseur pour chapes flottantes et chauffantes garantissant un revêtement céramique ou en pierres naturelles sans fissuration. D'autres revêtements peuvent également être mis en œuvre sur la chape Schlüter-BEKOTEC. Épaisseur minimale hors natte Schlüter-DITRA 25 et hors revêtement = 31 mm.

(Fiche produit 9.2)



Schlüter®-BEKOTEC-EN 23 F

Dalle à plots

120 x 90 cm = 1,08 m ² Art.-No.	€/ m ²	P (u.)
EN 23 F	15,20	20

Le système de plancher chauffant-rafraîchissant Schlüter-BEKOTEC-THERM fait l'objet d'un tarif complet séparé (BT 22), disponible sur demande.

Schlüter®-BEKOTEC-ENFG

Panneau de mise à niveau +
adhésif double face (6 m)

127,5 x 97,5 cm = 1,24 m ² Art.-No.	€/ Kit	P (kit)
ENFG	23,68	10





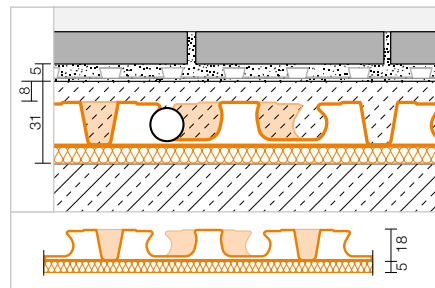
DALLE À PLOTS | PANNEAU DE MISE À NIVEAU

Schlüter®-BEKOTEC-EN FTS



Schlüter-BEKOTEC-EN FTS est la technique de construction de faible épaisseur, avec isolation intégrée contre les bruits de choc pouvant atteindre 25 dB, pour chapes flottantes et chauffantes garantissant un revêtement céramique ou en pierres naturelles sans fissuration. D'autres revêtements peuvent également être mis en œuvre sur la chape Schlüter-BEKOTEC. Idéal en rénovation. Épaisseur minimale hors revêtement = 31 mm.

(Fiche produit 9.4)



Schlüter®-BEKOTEC-EN 18 FTS

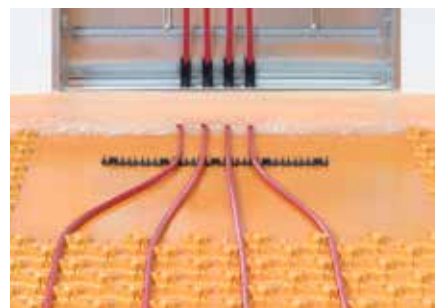
Dalle à plots avec isolation contre les bruits de choc sur la face inférieure

140 x 80 cm = 1,12 m ² Art.-No.	€ / m ²	P (u.)
EN 18 FTS 5	24,57	20

Schlüter®-BEKOTEC-ENFGTS

Panneau de mise à niveau + adhésif double face pour EN 18 FTS

140 x 80 cm = 1,12 m ² Art.-No.	€ / Kit	P (kit)
EN 18 FGTS 5	34,00	10



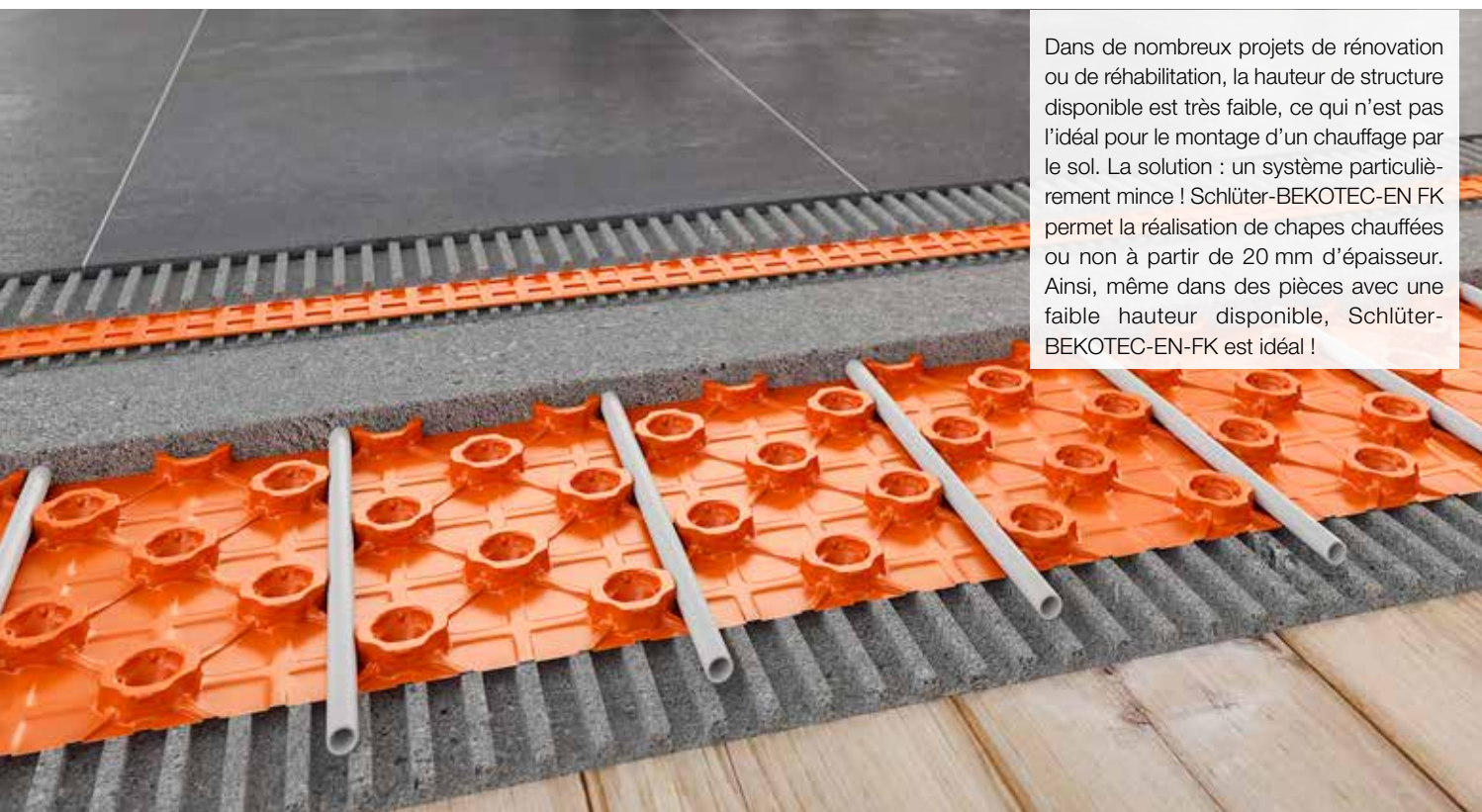
Avec sous-couche d'isolation acoustique Fin et silencieux



Schlüter-BEKOTEC-THERM vous propose différents systèmes s'adaptant parfaitement à vos besoins. Vous souhaitez réaliser un plancher chauffant dans un bâtiment ancien sur support bois ? BEKOTEC-EN FTS est la solution idéale : sa faible hauteur de structure comprise entre 31 et 43 mm (jusqu'au bord supérieur de la chape) vous permet d'atteindre une amélioration de l'isolation aux bruits de choc jusque 25 db. Pour un carrelage facile à vivre !

Plancher chauffant spécial rénovation

Lorsque chaque millimètre compte



Dans de nombreux projets de rénovation ou de réhabilitation, la hauteur de structure disponible est très faible, ce qui n'est pas l'idéal pour le montage d'un chauffage par le sol. La solution : un système particulièrement mince ! Schlüter-BEKOTEC-EN FK permet la réalisation de chapes chauffées ou non à partir de 20 mm d'épaisseur. Ainsi, même dans des pièces avec une faible hauteur disponible, Schlüter-BEKOTEC-EN-FK est idéal !

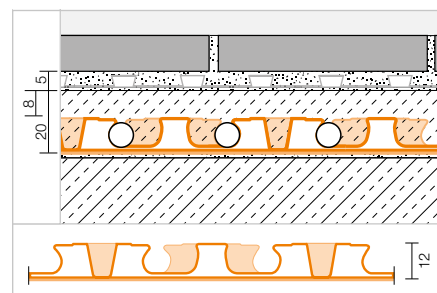
DALLE À PLOTS | PANNEAU DE MISE À NIVEAU

Schlüter®-BEKOTEC-EN FK



Schlüter-BEKOTEC-EN FK est la technique de construction fiable pour la pose de revêtements carrelés en rénovation et réhabilitation. Le système permet la réalisation, sur le support porteur, de chapes chauffées ou non à partir de 20 mm d'épaisseur. Idéal en rénovation. D'autres revêtements peuvent également être mis en œuvre sur la chape Schlüter-BEKOTEC. Épaisseur minimale hors natte Schlüter-DITRA 25 et hors revêtement = 20 mm.

(Fiche produit 9.5)



Schlüter®-BEKOTEC-EN 12 FK

Dalle à plots avec non-tissé sur le dessous

110 x 70 cm = 0,77 m ² Art.-No.	€ / m ²	P (u.)
EN 12 FK	16,32	20

Schlüter®-BEKOTEC-ENFGK

Panneau de mise à niveau + adhésif double face pour EN 12 FK

110 x 70 cm = 0,77 m ² Art.-No.	€ / Kit	P (kit)
EN 12 FGK	23,07	10





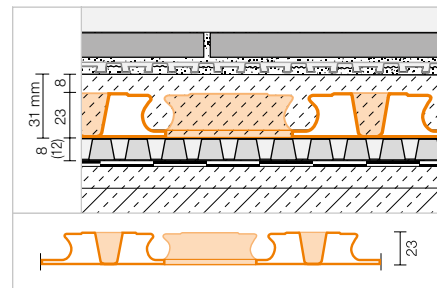
DALLE À PLOTS

Schlüter®-BEKOTEC-DRAIN



Schlüter-BEKOTEC-DRAIN est la technique de construction de faible épaisseur pour chapes flottantes garantissant un revêtement céramique ou en pierres naturelles sans fissuration.

(Fiche produit 9.3)



Schlüter®-BEKOTEC-EN 23 FD

Dalle à plots

120 x 90 cm = 1,08 m ² Art.-No.	€/ m ²	P (u.)
EN 23 FD	16,37	20

BANDES PÉRIPHÉRIQUES POUR CHAPE

Bandes périphériques pour chape traditionnelle



Bandes périphériques pour chape traditionnelle et chape fluide



Bandes périphériques pour chape traditionnelle et chape fluide



Schlüter®-BEKOTEC-BRS

Bande périphérique pour chape traditionnelle

8 x 100 mm x 50 m Art.-No.	€/ m	P (Rouleau)
BRS 810	0,94	10

Nota :

Pour Schlüter-BEKOTEC-EN/P.

Schlüter®-BEKOTEC-BRS/KSF

Bande périphérique autocollante (sol) pour chape fluide ou traditionnelle

8 x 80 mm x 25 m Art.-No.	€/ m	P (Rouleau)
BRS 808 KSF	2,71	5

Nota :

Pour Schlüter -BEKOTEC-EN/P, -EN/PF, -EN 23 F, -EN 12 FK et -EN 18 FTS.

Schlüter®-BEKOTEC-BRSK

Bande périphérique autocollante (mur) pour chape traditionnelle

8 x 100 mm x 50 m Art.-No.	€/ m	P (Rouleau)
BRSK 810	1,24	10

Nota :

Pour Schlüter-BEKOTEC-EN/P.

BANDES PÉRIPHÉRIQUES POUR CHAPE

Bandes périphériques pour chape traditionnelle et chape fluide



Schlüter®-BEKOTEC-BRS/KF

Bande périphérique autocollante (mur) pour chape fluide ou traditionnelle

8 x 80 mm x 25 m Art.-No.	€ / m	P (Rouleau)
BRS 808 KF	2,00	10

Nota :

Pour Schlüter-BEKOTEC-EN/P et -EN/PF.

ISOLATION ACOUSTIQUE



Schlüter®-BEKOTEC-BTS

Sous couche d'isolation acoustique en PE

5 mm x 1 m x 50 m (50 m ²) Art.-No.	€ / m ²	P (Rouleau)
BTS 510	4,68	5

Nota :

Convient pour une utilisation en liaison avec Schlüter-BEKOTEC-EN/P, -EN/PF et -EN 23 F.



Aides à la pose et à l'entretien Schlüter

Pour votre travail au quotidien

Un travail de qualité nécessite de bons outils. Ce chapitre vous présente les outils adaptés à la pose de nos nattes de découplage, au cintrage de nos profilés et à la réalisation de trappes de visite invisibles. Le tout, bien entendu, avec la qualité Schlüter.





Aimants pour trappes de visite	
Schlüter®-REMA	290
Pâte de nettoyage et polish	
Schlüter®-CLEAN-CP	290
Outils	
Schlüter®-RUMA	290
Schlüter®-TROWEL	291
Schlüter®-PROCUT-PSF	291
Schlüter®-PROCUT-TSM	291



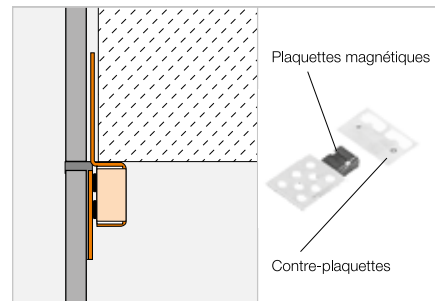
AIMANTS POUR TRAPPES DE VISITE

Schlüter®-REMA



Schlüter-REMA sont des plaquettes magnétiques et contre-plaquettes permettant la réalisation de trappes de visite pour parois carrelées. Schlüter-REMA peut être utilisé quelle que soit l'épaisseur ou la taille des carreaux et s'adapte parfaitement au joint.

(Fiche produit 11.1)



Schlüter®-REMA

4 plaquettes magnétiques + 4 contre-plaquettes

Art.-No.	€ / Kit	P (kit)	KV (kit)
REMA	9,29	50	200

PÂTE DE NETTOYAGE ET POLISH

Schlüter®-CLEAN-CP



Schlüter-CLEAN-CP est une pâte de nettoyage pour profilés en inox. Il convient aussi parfaitement pour le nettoyage de profilés en aluminium, en laiton ou autre.

(Fiche produit 13.1)

Schlüter®-CLEAN-CP



Pâte de nettoyage

Volume (ml)	Art.-No.	€ / u.	P (u.)
125	CPP 125	17,68	10

i
Le conditionnement a été modifié !

OUTILS

Schlüter®-RUMA



Schlüter-RUMA est une cintrreuse permettant de réaliser des courbes régulières avec les profilés prédécoupés.

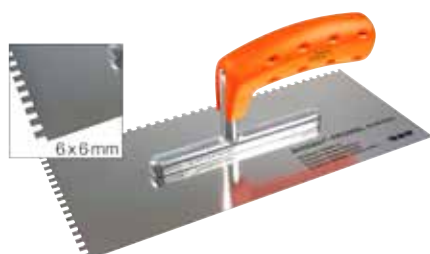
Schlüter®-RUMA

Cintrreuse

Art.-No.	€ / u.
RM	374,53

OUTILS

Schlüter®-TROWEL



Schlüter-TROWEL est une spatule crantée équipée d'un manche ergonomique souple pour un travail sans fatigue. Les différentes dentures permettent un collage efficace de Schlüter-DITRA, -KERDI et -DITRA-HEAT.

Schlüter®-TROWEL

Spatule crantée en acier inox (280 mm x 130 mm)

Denture	Art.-No.	€ / u.	P (u.)
4 x 4	TRL 4X4	16,95	10
6 x 6	TRL 6X6	16,95	10

Nota :

Denture 4x4 pour Schlüter-DITRA 25, -DITRA-DRAIN 8, -DITRA-SOUND et -KERDI.

Denture 6x6 pour Schlüter-DITRA-DRAIN 4 et -DITRA-HEAT.

Schlüter®-PROCUT-PSF



Schlüter-PROCUT-PSF est une pince à onglet permettant une découpe précise des profilés en matériaux de synthèse Schlüter avec ou sans espaceur.



Schlüter®-PROCUT-PSF

Pince à onglet

Art.-No.	€ / u.	P (u.)
PSF	64,80	10

Schlüter®-PROCUT-PS-EK

Pièce de rechange : lame de rechange pour pince à onglet

Art.-No.	€ / u.	P (u.)
PS 90 / 45 EK	24,06	10

Schlüter®-PROCUT-PSF 10

Présentoir contenant 10 pinces à onglet

Art.-No.	€ / Set
PSF 10	621,75

Schlüter®-PROCUT-TSM



Schlüter-PROCUT-TSM est un disque de 115 mm de diamètre pour disqueuse du commerce, permettant des coupes particulièrement propres et nettes dans l'acier inoxydable, l'aluminium ou le laiton.

Schlüter®-PROCUT-TSM

Disque de tronçonnage

Art.-No.	€ / u.	P (u.)
TSM 115/1	9,34	10



Profils Schlüter

Le cintrage fait la différence !



Pour la finition de revêtements arrondis, différents profils Schlüter en métal peuvent être livrés prédécoupés, ce qui permet d'adapter le profilé aux contours du revêtement. Pour des raisons techniques de production, les produits en longueur de 1,00 m ne peuvent être prédécoupés. Les produits disponibles avec cette découpe pour cintrage sont identifiés dans le tarif par le symbole suivant :



Vous trouverez dans les tableaux ci-dessous la liste des profils que nous pouvons prédécouper et le supplément de prix à appliquer.

Le cintrage est possible avec un rayon d'au moins env. 1 m ou 3 m à l'aide de la cintruse. Les hauteurs de cintrage démarrent à 6 mm, les hauteurs inférieures sont envisageables sur demande. Les profils Schlüter-BARA ne peuvent pas être cintrés avec la cintruse.

Profilé-support	Supplément
Rayon de courbure r = 1,00 m	€ / m
Schlüter-JOLLY-A	2,87
Schlüter-SCHIENE-A	2,87
Schlüter-SCHIENE-AC / -TS	2,87
Schlüter-SCHIENE-AE	2,87
Schlüter-SCHIENE-AV	2,87
Schlüter-SCHIENE-E / -E V4A	2,87
Schlüter-SCHIENE-EB	2,87
Schlüter-SCHIENE-M	2,87
Schlüter-SCHIENE-STEP-EB	2,87

Profilé-support	Supplément
Rayon de courbure r = 3,00 m	€ / m
Schlüter-DECO-A	2,87
Schlüter-DECO-AE	2,87
Schlüter-DECO-M	2,87
Schlüter-JOLLY-AC / -TS	2,87
Schlüter-JOLLY-AE	2,87
Schlüter-JOLLY-MC	2,87
Schlüter-QUADEC-A	2,87
Schlüter-QUADEC-AC / -TS	2,87
Schlüter-QUADEC-E / -E V4A	2,87
Schlüter-QUADEC-EP / -EB	2,87
Schlüter-RENO-AETK	2,87
Schlüter-RENO-ATK	2,87
Schlüter-RENO-MTK	2,87
Schlüter-RONDEC-A	2,87
Schlüter-RONDEC-AC / -TS	2,87
Schlüter-RONDEC-E / -E V4A	2,87
Schlüter-RONDEC-EP / -EB	2,87
Schlüter-SCHIENE-ES	2,87
Schlüter-BARA-RT	5,76
Schlüter-BARA-RW	5,76
Schlüter-BARA-RW-E	5,76
Schlüter-BARA-RWL	5,76

Livraison :

Pour la référence du profilé prédécoupé, il suffit de placer un « R/ » devant la référence du profilé standard (exemple : R / M 80 pour Schlüter-SCHIENE-M 80 prédécoupé).

Le délai de livraison pour les profils prédécoupés est de l'ordre de 15 jours. Pour la France : délai de 5 jours.

Les profils sont livrés non cintrés. Dans le cas de l'acier inoxydable, il peut toutefois apparaître une certaine déformation due aux tensions du matériau.



Pour un cintrage rapide et propre des profils, utiliser notre cintruse Schlüter-RUMA (voir page 290).

Codes couleurs

Couleurs

	AP abricot satiné pas de RAL (sanitaires : «abricot satiné»)		GM gris métallique RAL 9006		RB chamois RAL 8003
	BH bahamas pas de RAL (sanitaires : «bahama»)		GS noir graphite RAL 9011 (sanitaires : «ébonite»)		SB brun noir RAL 8019
	BW blanc brillant RAL 9003		HB beige clair RAL 1019		SG gris pierre pas de RAL
	C sable pas de RAL		HG gris clair RAL 7035		SP pêche satiné pas de RAL (sanitaires : «pêche satiné»)
	CA caramel RAL 1011 (sanitaires : «caramel»)		MBW blanc mat RAL 9003		T transparent pas de RAL
	CG jaune RAL 1021		MGS noir graphite mat RAL 9005		VG gris signalisation RAL 7043
	DA gris anthracite pas de RAL		NB noisette RAL 8007		W blanc RAL 9010 (sanitaires : «parchemin/jasmin»)
	FG gris joint pas de RAL		PG gris pastel pas de RAL (sanitaires : «manhattan»)		ZR rouge brique RAL 8004
	G gris RAL 7030		PW blanc perlé RAL 1013		
	GAE gris aluminium anodisé RAL 7035		QG gris quartz RAL 7039		

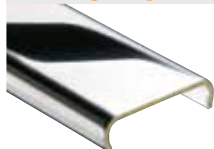
L'impression ne permet pas d'offrir un rendu exact des couleurs originales.
Coloris analogues RAL.



Surfaces métalliques

Finitions

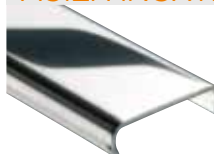
LAITON CHROMÉ



MC

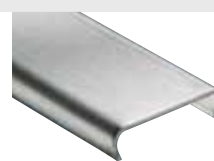
Laiton chromé

ACIER INOXYDABLE



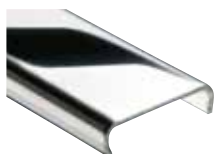
E

Acier inoxydable
V2A Type d'acier : 1.4301 = AISI 304
V4A Type d'acier : 1.4404 = AISI 316L



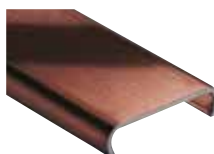
EB

Acier inoxydable
brossé



EP

Acier inoxydable poli



EOB

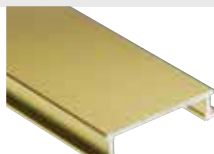
Acier inox. bronze
brillant

ALU. ANODISÉ MAT



AE

Alu. naturel anodisé
mat



AM

Alu. laiton anodisé
mat



AK

Alu. cuivre anodisé
mat



AT

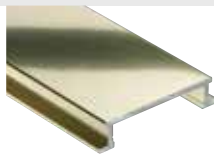
Alu. titane anodisé
mat

ALU. ANODISÉ BRILLANT



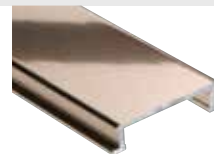
ACG

Alu. chromé anodisé
brillant



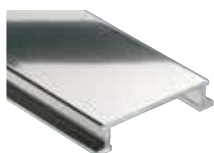
AMG

Alu. laiton anodisé
brillant



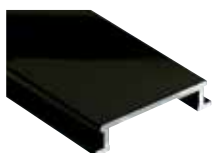
AKG

Alu. cuivre anodisé
brillant



ATG

Alu. titane anodisé
brillant



AGSG

Alu. noir anodisé
brillant

PROFILÉS SCHLÜTER : AUTRES MATÉRIAUX

A
Aluminium

AC
Alu. coloré

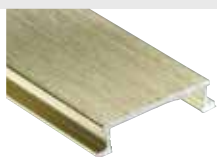
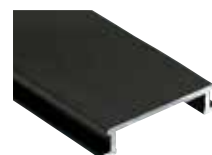
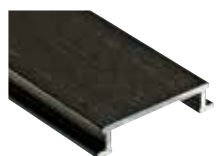
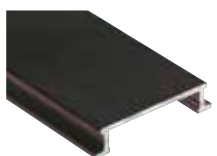
Z
Zinc

M
Laiton

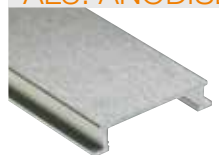
K
Cuivre

P
PVC coloré

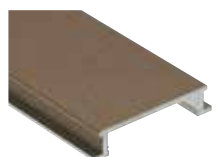
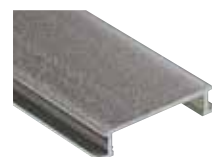
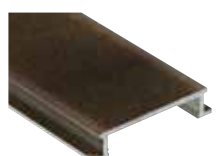
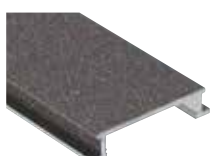
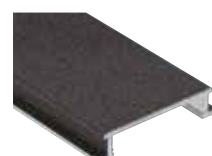
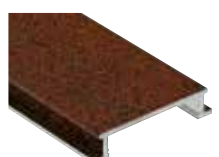
ALU. ANODISÉ BROSSÉ

**ACGB**Alu. chromé anodisé
brossé**AMGB**Alu. laiton anodisé
brossé**AKGB**Alu. cuivre anodisé
brossé**ATGB**Alu. titane anodisé
brossé**AEEB**Alu. anodisé aspect
acier inoxydable
brossé**AGRB**Alu. graphite anodisé
brossé**AGSB**Alu. noir graphite
anodisé brossé**ABGB**Alu. bronze anodisé
brossé

ALU. ANODISÉ, FINITION TRAMÉE

**AEX**Alu. naturel anodisé,
finition tramée**AMX**Alu. laiton anodisé,
finition tramée**AQQX**Alu. gris quartz
anodisé, finition
tramée**ATX**Alu. titane anodisé,
finition tramée

ALU. FINITION STRUCTURÉE

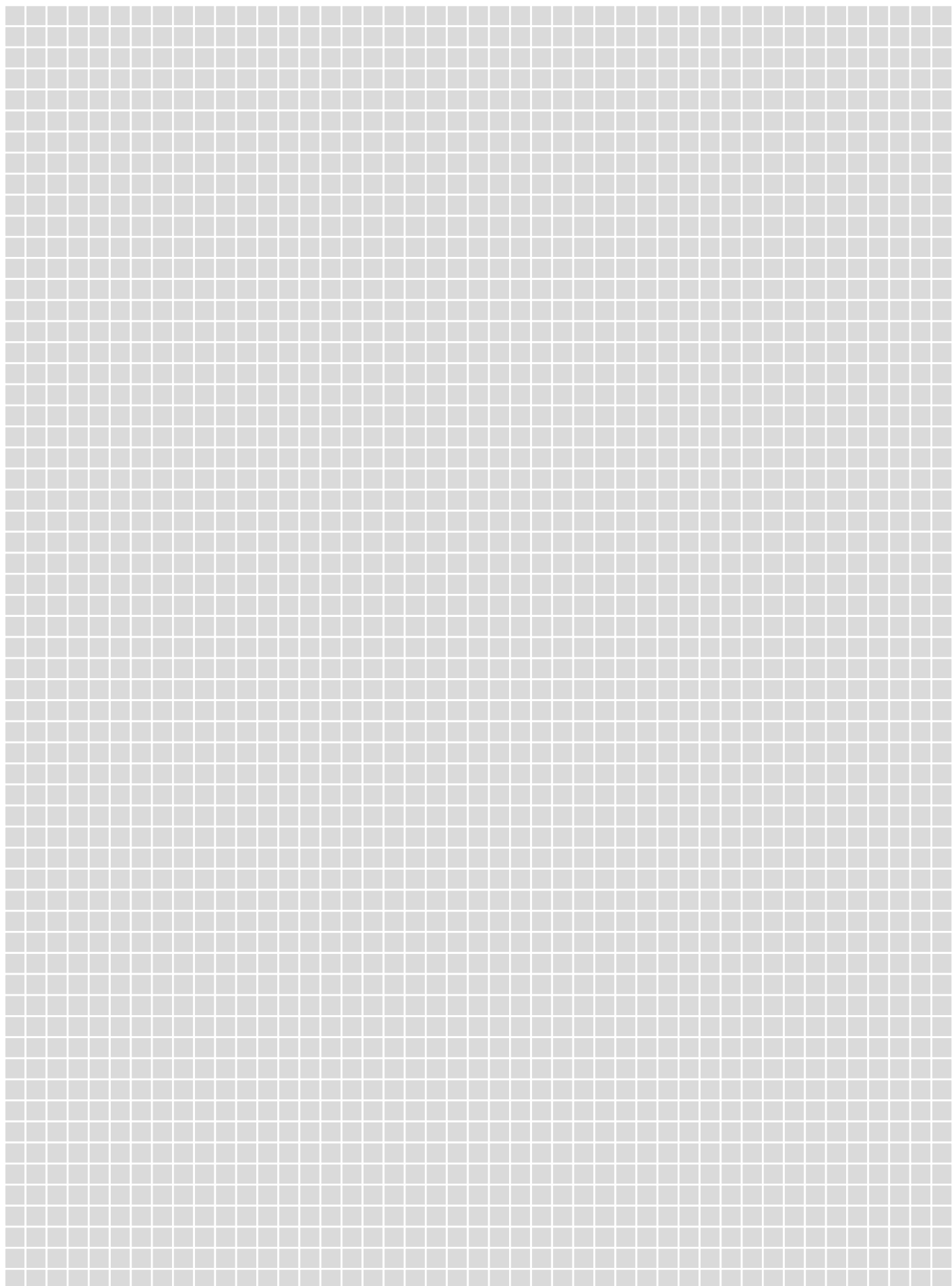
**TSI**Alu. finition structurée
ivoire**TSC**Alu. finition structurée
sable**TSBG**Alu. finition structurée
gris beige**TSB**Alu. finition structurée
beige**TSSG**Alu. finition structurée
gris pierre**TSG**Alu. finition structurée
gris**TSOB**Alu. finition structurée
bronze**TSLA**Alu. finition structurée
gris anthracite clair**TSDA**Alu. finition structurée
gris anthracite**TSR**Alu. finition structurée
brun rustique

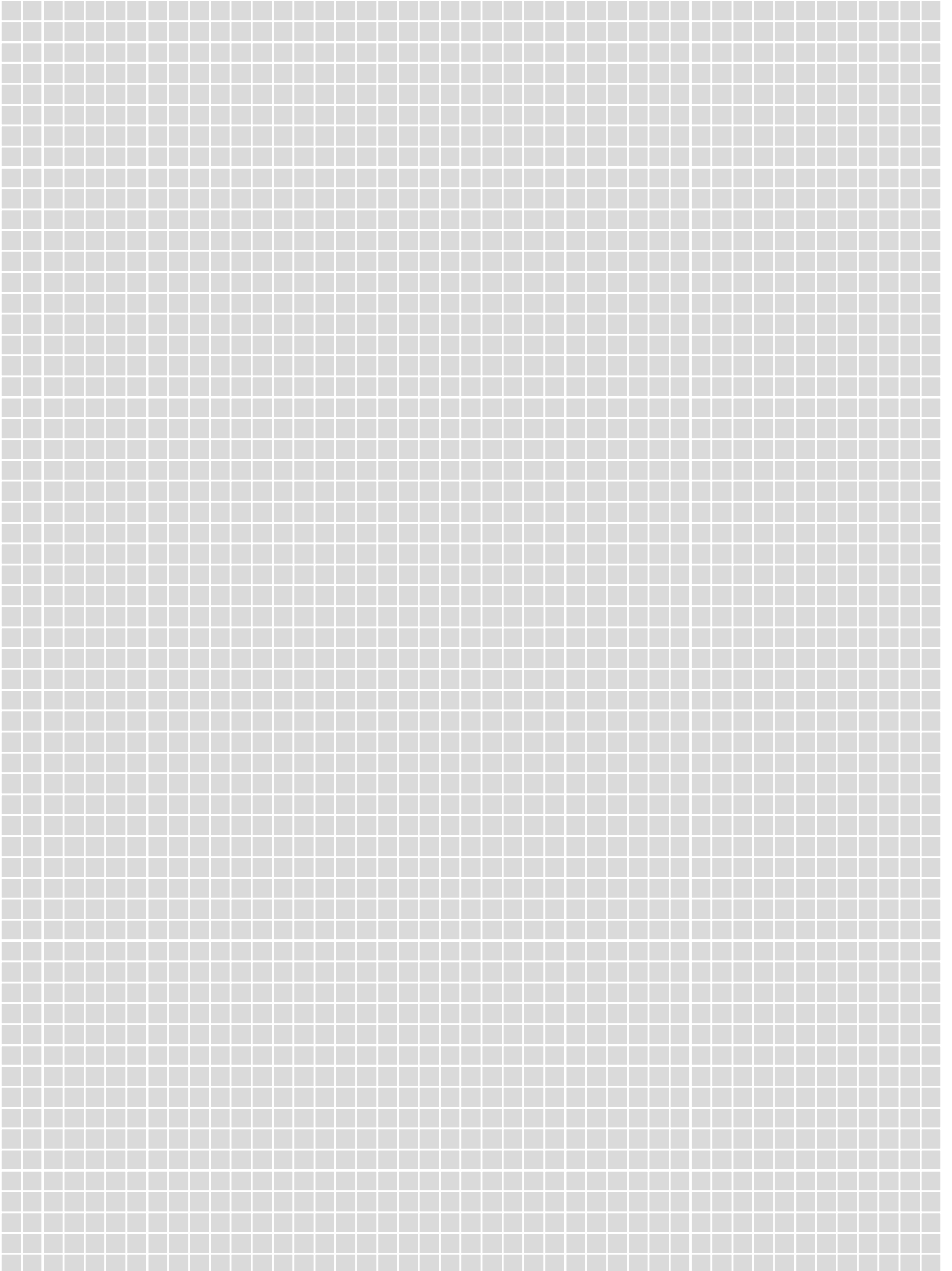
Nota :

Pour un meilleur rendu, les surfaces métalliques de cette page ont été représentées sur les profilés Schlüter-DESIGNLINE.

La disponibilité réelle des matériaux est toutefois indiquée dans les données de chaque produit. Les dimensions et couleurs des produits étant soumises à des variations inévitables, Schlüter-Systems bénéficie sur ce point des tolérances d'usage.

L'impression ne permet pas d'offrir un rendu exact des couleurs originales.







Légende

Domaines d'application



Pose au sol en privatif



Pose au mur en intérieur



Isolation contre les bruits de choc

Propriétés



Commande WiFi



Livrable également en 3 m



Cintrage voir p. 292

Solutions innovantes



Nouveaux produits

Unités de conditionnement

PL = Europalette

KV = Caisse / Unité

BV = Conditionnement par faisceau

Sauf mention expresse, tous les profilés sont emballés par faisceau de 10 unités.

P = Conditionnement par paquet

R = Rouleau

St. = Unité

Dimensions

H = hauteur

L = longueur

B = largeur

T = profondeur

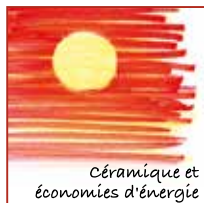
Conditions générales de vente



La dernière version de nos conditions générales de vente est applicable et consultable sur le site : www.schlueter-systems.com/agb ou par envoi postal sur simple demande.



Logements
sains grâce à
la céramique

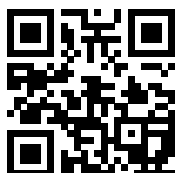


Céramique et
économies d'énergie

... made by Schlüter-Systems
www.bekates-therm.fr



worldskills
France
Olympiades des Métiers



www.schluter-systems.com

Schlüter®-KERDI-BOARD



Information sur le niveau d'émission de substances volatiles dans l'air intérieur, présentant un risque de toxicité par inhalation, sur une échelle de classe allant de A+ (très faibles émissions) à C (fortes émissions)

Les conditions générales de vente de la société Schlüter-Systems sont applicables.

Dès sa parution, le présent tarif illustré annule et remplace tous les tarifs précédents.

Ce tarif est imprimé sous réserve d'erreurs, de modifications et de fautes d'impression, ou de modifications allant dans le sens d'une innovation des produits ou rendues inévitables pour des raisons de livraison. Des différences de couleurs au niveau de la reproduction des produits sont possibles et sont dues à la technique d'impression utilisée.



DES SOLUTIONS INNOVANTES

Schlüter-Systems KG · Schmölestraße 7 · D-58640 Iserlohn · Tel.: +49 2371 971-261 · Fax: +49 2371 971-112
info@schluter.de · www.schluter-systems.com

Schlüter-Systems S.à.r.l. · 12, rue des Flandres · F-60410 Villeneuve-sur-Verberie
Tél. : 03 44 54 18 88 · Fax : 03 44 54 18 80 · profil@schluter.fr · www.schluter-systems.fr